

*Spare parts - Gram Roll-in
K/M/F 1500 CSF*

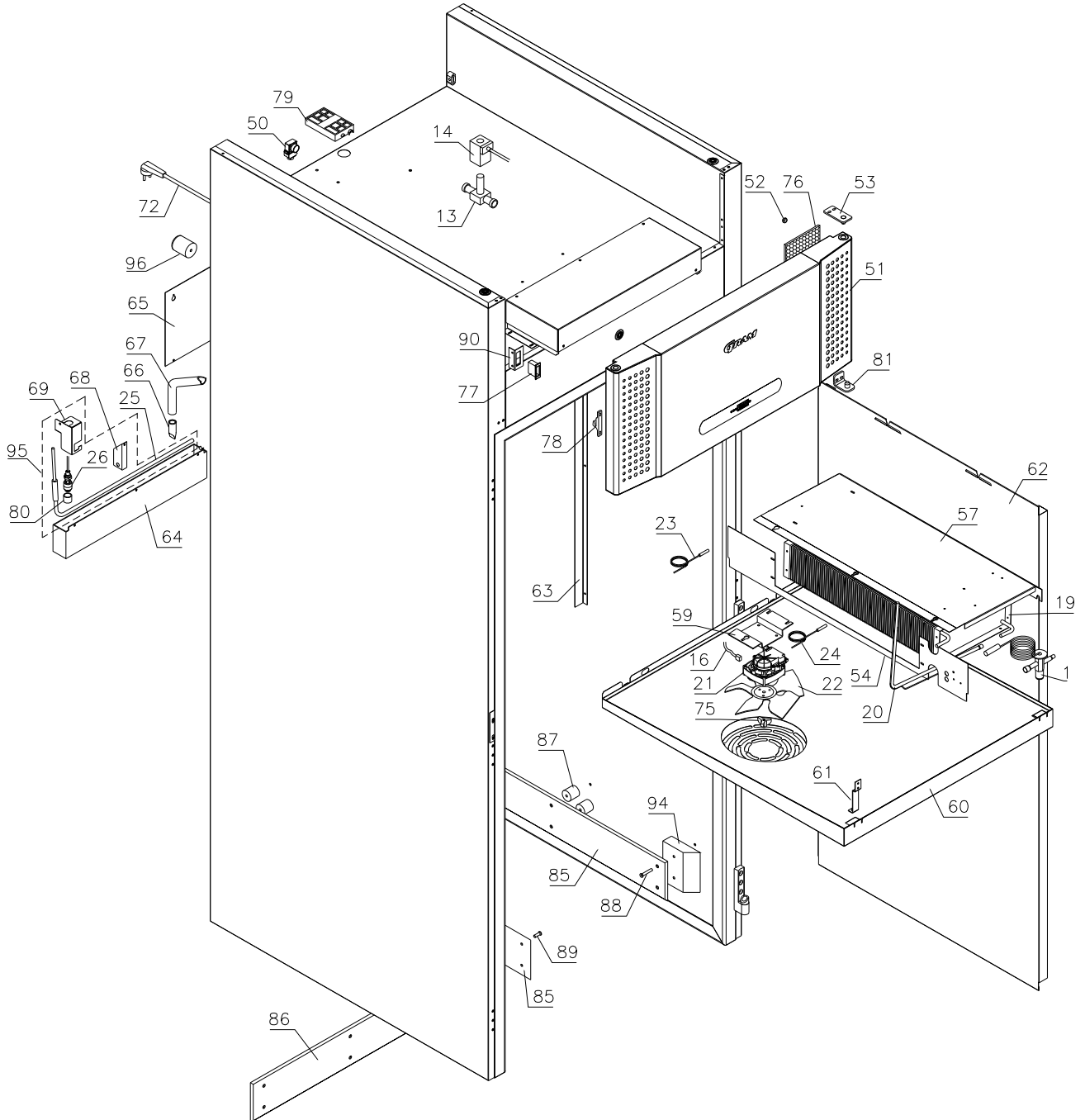


Description :

Spare parts list for Gram Roll-in
 K/M/F 1500 CSF

Compiled.		Latest revision.			Discontinued	
Date	Name	Date	Name	Rev.no	Date	Name
31.01.06	JP	10.09.14	JP	010		

K 1500

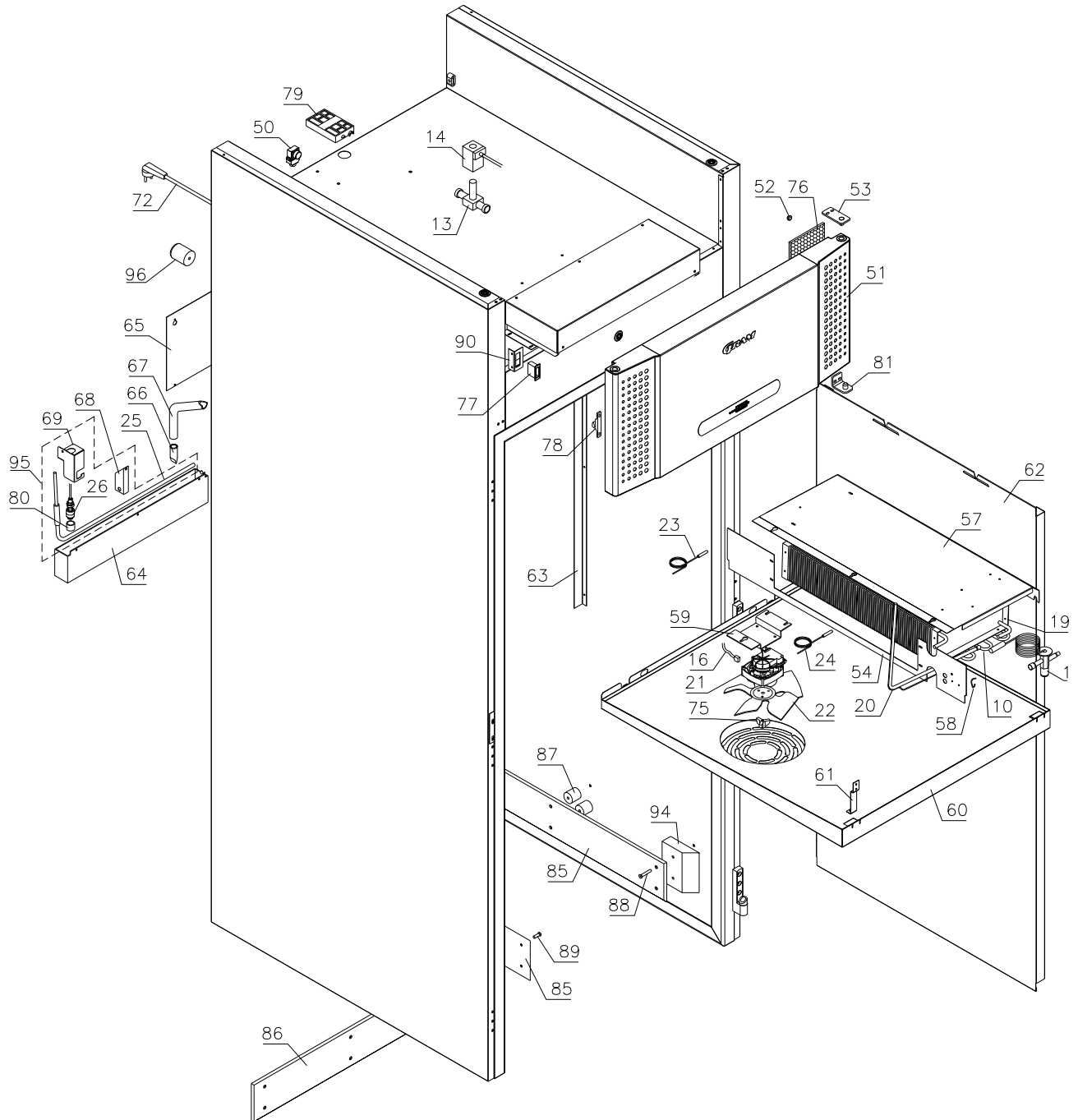


Description :

Spare parts list for Gram Roll-in
K/M/F 1500 CSF

Compiled.		Latest revision.			Discontinued	
Date	Name	Date	Name	Rev.no	Date	Name
31.01.06	JP	10.09.14	JP	010		

M 1500

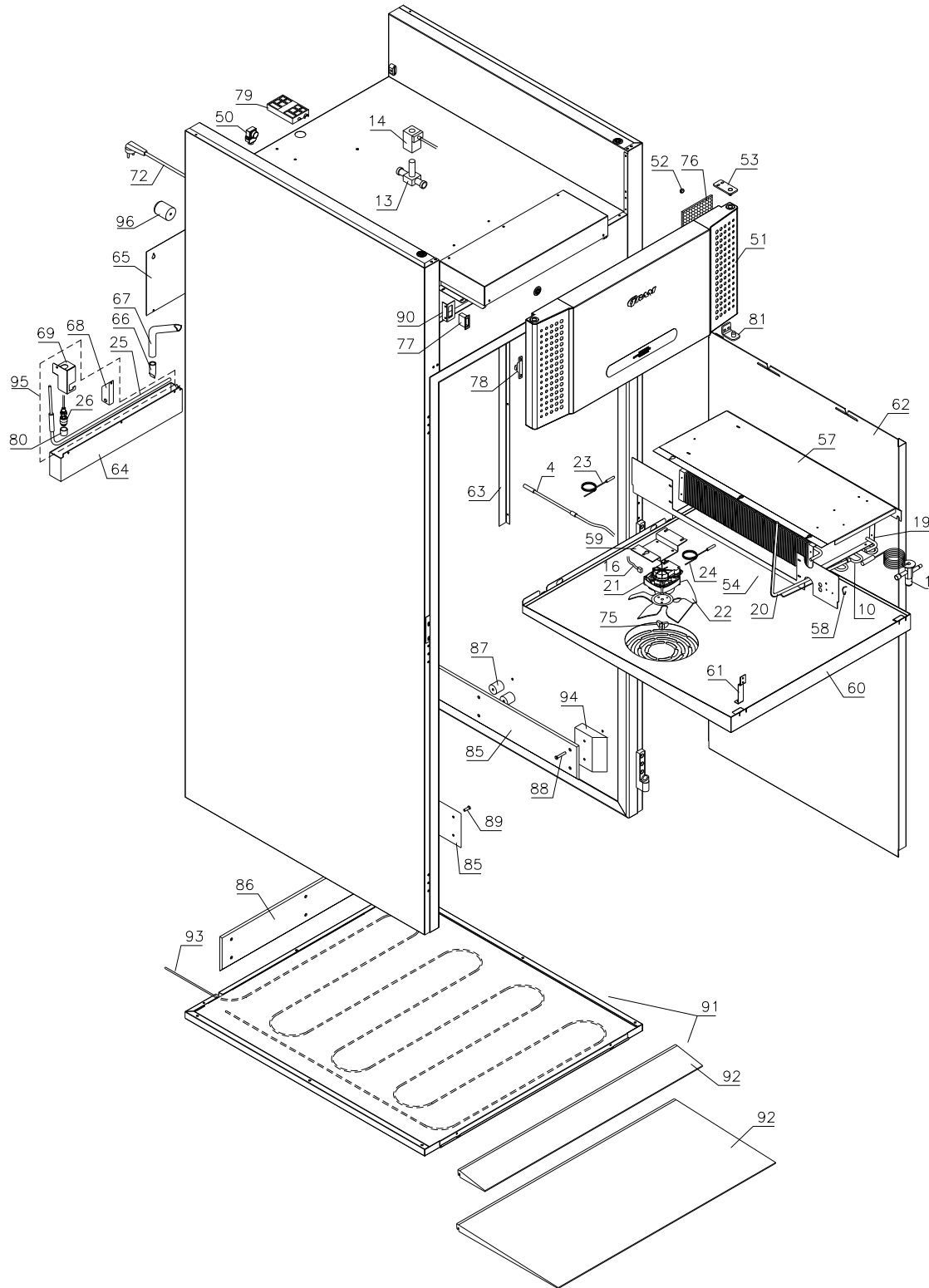


Description :

Spare parts list for Gram Roll-in
 K/M/F 1500 CSF

Compiled.		Latest revision.			Discontinued	
Date	Name	Date	Name	Rev.no	Date	Name
31.01.06	JP	10.09.14	JP	010		

F 1500



Description :

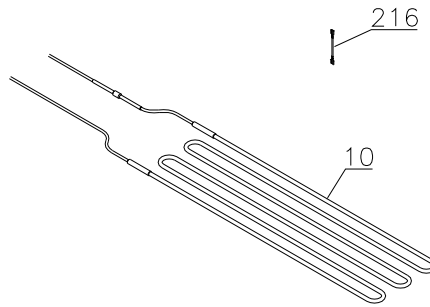
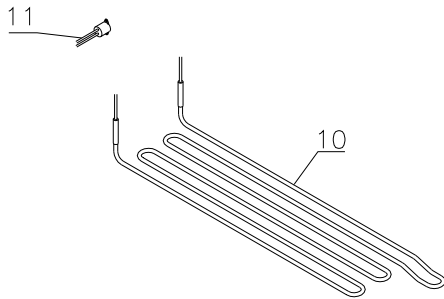
Spare parts list for Gram Roll-in
 K/M/F 1500 CSF

Compiled.		Latest revision.			Discontinued	
Date	Name	Date	Name	Rev.no	Date	Name
31.01.06	JP	10.09.14	JP	010		

Defrost heater

116 – 162

162 -

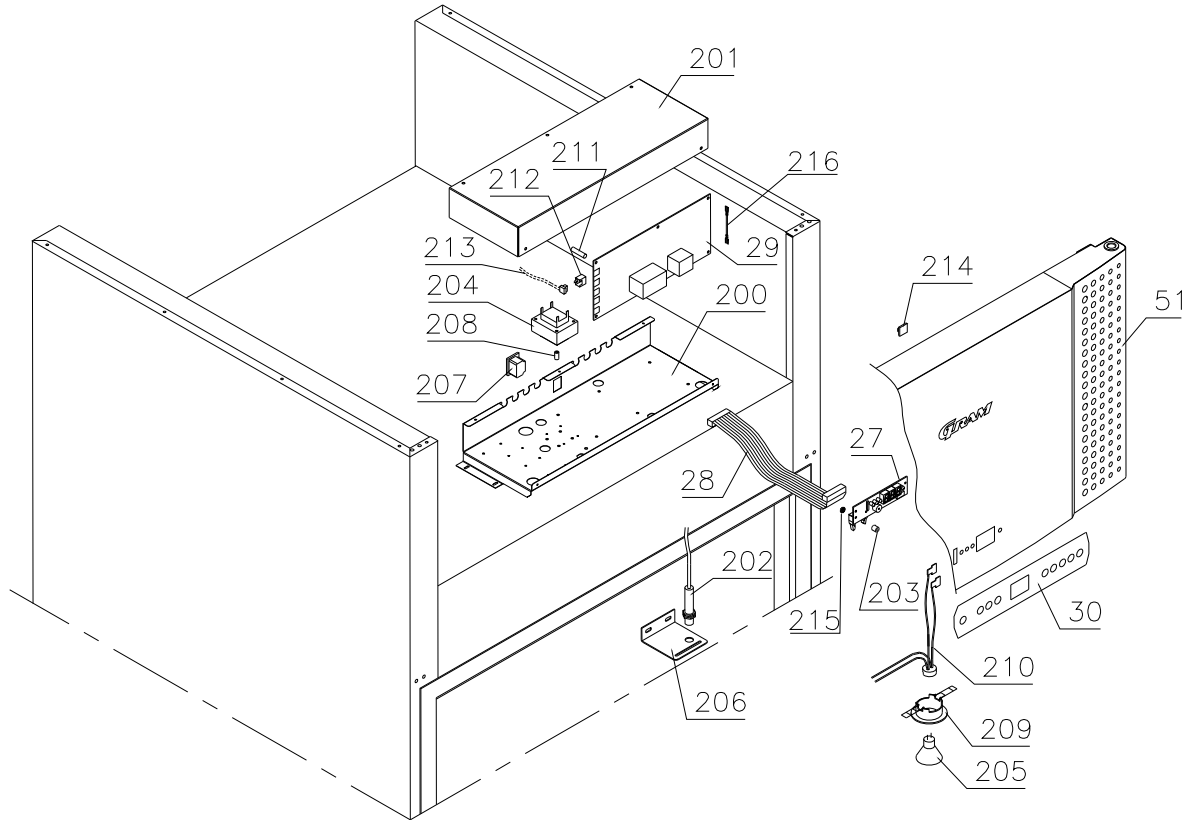


Description :

Spare parts list for Gram Roll-in
 K/M/F 1500 CSF

Compiled.		Latest revision.			Discontinued	
Date	Name	Date	Name	Rev.no	Date	Name
31.01.06	JP	10.09.14	JP	010		

Control panel/electrical parts

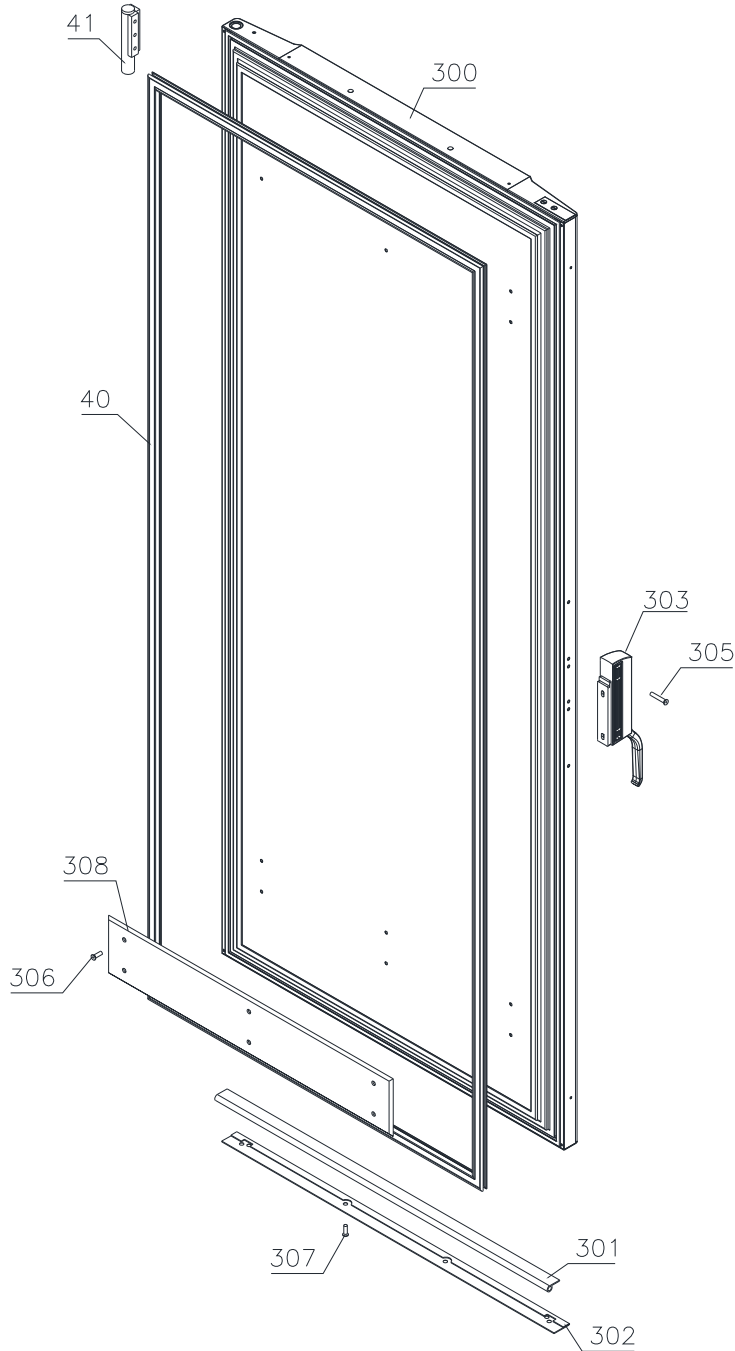


Description :

Spare parts list for Gram Roll-in
 K/M/F 1500 CSF

Compiled.		Latest revision.			Discontinued	
Date	Name	Date	Name	Rev.no	Date	Name
31.01.06	JP	10.09.14	JP	010		

Door



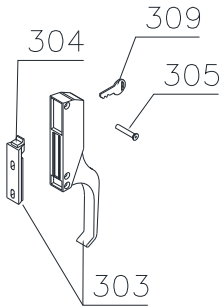
Description :

Spare parts list for Gram Roll-in
 K/M/F 1500 CSF

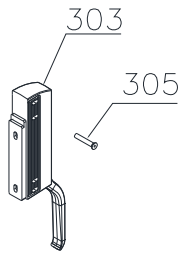
Compiled.		Latest revision.			Discontinued	
Date	Name	Date	Name	Rev.no	Date	Name
31.01.06	JP	10.09.14	JP	010		

Door handle

116 - 462



462 -



Gram Commercial <i>Technical information</i>				76-504-1117		
<u>Description :</u>						
Spare parts list for Gram Roll-in K/M/F 1500 CSF						
Compiled.		Latest revision.			Discontinued	
Date	Name	Date	Name	Rev.no	Date	Name
31.01.06	JP	10.09.14	JP	010		

Item No.	Description	Gram part No.	week/year Issued	week/year Deleted
----------	-------------	---------------	---------------------	----------------------

Essential spare parts

Refrigeration system/cabinet

K/M 1500:

1	Thermostatic valve TN 2	R134a	413168002	1106	0110
1	Thermostatic valve TLE-00011*	R134a	413165003	0110	
2	Orifice assy. No. 00		413161300	1106	0110
3	Adaptor for thermost. valve		413163261	1106	0110

F 1500:

1	Thermostatic valve TS 2	R404A	413169000	1106	5109
1	Thermostatic valve TLE-00044*	R404A	413165010	5109	
2	Orifice assy. No. 00		413161300	1106	5109
3	Adaptor for thermost. valve		413163261	1106	5109
4	Drip water heater		765071698	1106	

* Fixed orifice

Common parts:

10	Defrost heating element	M/F	765071886	1106	1612
10	Defrost heating element	M/F	765072062	1612	
11	Overheat safety thermostat	M/F	765070828	1106	1612
12	Wire for fan motor		612900400	1106	
13	Solenoid valve EVR-3		410104002	1106	
14	Coil for solenoid valve		610296105	1106	
19	Evaporator		765080173	1106	
20	Heat exchanger		760080963	1106	
21	Evaporator fan motor		612900002	1106	
22	Fan blade, ø230		612900200	1106	
23	Cabinet sensor		453531500	1106	
24	Defrost sensor		453531501	1106	
25	Re-evap. heating element 60 W		761250778	1106	2714
25	Re-evap. heating element 60 W		765072794	2714	
26	Float switch		765072000	1106	

<i>Gram Commercial</i> <i>Technical information</i>				76-504-1117		
<u>Description :</u>						
Spare parts list for Gram Roll-in K/M/F 1500 CSF						
Compiled.		Latest revision.			Discontinued	
Date	Name	Date	Name	Rev.no	Date	Name
31.01.06	JP	10.09.14	JP	010		

Item No.	Description	Gram part No.	week/year Issued	week/year Deleted
----------	-------------	---------------	---------------------	----------------------

Control panel:

27	Electronic control, display part	612900050	1106
28	Band cable L=1200	453582046	1106
29	Electr. contr., power part, K1-	761256115	1106
29	Electr. contr., power part, M3-	761256116	1106
29	Electr. contr., power part, F1-	761256117	1106
30	Label with keys	765040641	1106

Door:

40	Door gasket	762251152	1106
41	Hinge, righthand	424180051	1106
41	Hinge, lefthand	424180052	1106

Description :

**Spare parts list for Gram Roll-in
K/M/F 1500 CSF**

Compiled.		Latest revision.			Discontinued	
Date	Name	Date	Name	Rev.no	Date	Name
31.01.06	JP	10.09.14	JP	010		

Item No.	Description	Gram part No.	week/year Issued	week/year Deleted
----------	-------------	---------------	---------------------	----------------------

Other spare parts

Cabinet

50	Air relief valve	765081206	1106	
51	Front panel, stainless	762251110	1106	
52	Front panel plug	760250272	1106	
53	Upper hinge for front panel	761258926	1106	
54	Cover rail for evaporator	762250591	1106	2110
54	Evaporator cover	762250601	2110	
55	Cover plate, left	762250590	1106	2110
56	Cover plate, right	762250589	1106	2110
57	Suspension plate for evaporator	762250588	1106	
58	Heating element bracket	761254427	1106	
59	Fan bracket	761258499	1106	
60	Drip water tray	762251159	1106	
61	Holder for drip water tray	761253441	1106	
62	Air distribution plate	762251170	1106	
63	Rail for air distribution plate	760243630	1106	
64	Re-evaporation tray	765081149	1106	
65	Cover plate for re-evap. tray	761255383	1106	
66	Water trap	760082891	1106	
67	Drain pipe	765081153	1106	
68	Heating element bracket	761255445	1106	2714
68	Heating element bracket	763250002	2714	
69	Float switch bracket	761255446	1106	2714
69	Float switch bracket	763250003	2714	
72	Lead and plug, DK	765072568	1106	
72	Lead and plug, EU	765072566	1106	
72	Lead and plug, UK	765072567	1106	
72	Lead and plug, CH	765070163	1106	
75	Screw for fan blade	612900100	1106	
76	Front panel filter	762250222	1106	
77	Front panel close latch	761253307	1106	
78	Front panel close keeper	761253301	1106	
79	Junction box f. re-evap. heater	K/M 765070139	1106	
80	Plastic cap	450450080	1106	
81	Lower hinge for front panel	762250224	1106	

Description :

**Spare parts list for Gram Roll-in
K/M/F 1500 CSF**

Compiled.		Latest revision.			Discontinued	
Date	Name	Date	Name	Rev.no	Date	Name
31.01.06	JP	10.09.14	JP	010		

Item No.	Description	Gram part No.	week/year Issued	week/year Deleted
85	Buffer rail, side	762251154	1106	
86	Buffer rail, back	762251155	1106	
87	Spacer for buffer rail	761257306	1106	
88	Screw M5x50	420178001	1106	
89	Screw M5x12	420178203	1106	
90	Bracket for close latch	761257608	1106	
91	Base complete, with 100 mm ramp	F 818649901	1106	
91	Base complete, with 100 mm ramp	K/M 818649902	1106	
91	Base complete, with 400 mm ramp	F 818649903	1106	
91	Base complete, with 400 mm ramp	K/M 818649904	1106	
92	Ramp 100 mm	F 762251176	1106	
92	Ramp 400 mm	F 762251175	1106	
93	Base heating element	F 765071691	1106	
94	Buffer front piece	762251187	1106	
95	Re-evaporation kit	761255438	1106	2714
95	Re-evaporation kit	763254026	2714	
96	Rubber spacer L=50 mm	762251184	1106	

Gram Commercial Technical information				76-504-1117		
<u>Description :</u>						
Spare parts list for Gram Roll-in K/M/F 1500 CSF						
Compiled.		Latest revision.			Discontinued	
Date	Name	Date	Name	Rev.no	Date	Name
31.01.06	JP	10.09.14	JP	010		

Item No.	Description	Gram part No.	week/year Issued	week/year Deleted
----------	-------------	---------------	---------------------	----------------------

Control panel/electrical parts:

200	Junction box	762251130	1106	
201	Cover for junction box	762251132	1106	
202	Door switch	450400113	1106	
203	Distance tube L=8.3 mm	765080021	1106	
204	Trafo for lights	760073649	1106	
205	Halogen light 10W	450742002	1106	
206	Bracket for door switch and lock	761259005	1106	
207	Appliance inlet	451022002	1106	
208	Distance bush L=16	451119513	1106	
209	Mounting socket for halogen light	450742001	1106	
210	Wiring for halogen light	765071603	1106	
211	Spacer for PCB	451119515	1106	
212	Sensor plug holder	452260601	1106	
213	Sensor plug	452260600	1106	
214	Cable clip	424350001	1106	
215	Hex. nut M3	421092003	1106	
216	Wire for defrosting	765072664	1612	

Door :

300	Door	762251100	1106	4612
300	Door	762251103	4612	
301	Drag strip	335110001	1106	
302	Fixing bracket	762251158	1106	
303	Handle complete	761257665	1106	4612
303	Handle complete	761257965	4612	
304	Strike plate	761257670	1106	
305	Screw M5x30	420168209	1106	4612
305	Screw M5x35	420340151	4612	
306	Screw M5x12	420178203	1106	
307	Screw M5x20	420168207	1106	
308	Buffer rail	762251155	1106	
309	Key for handle	765080345	1106	