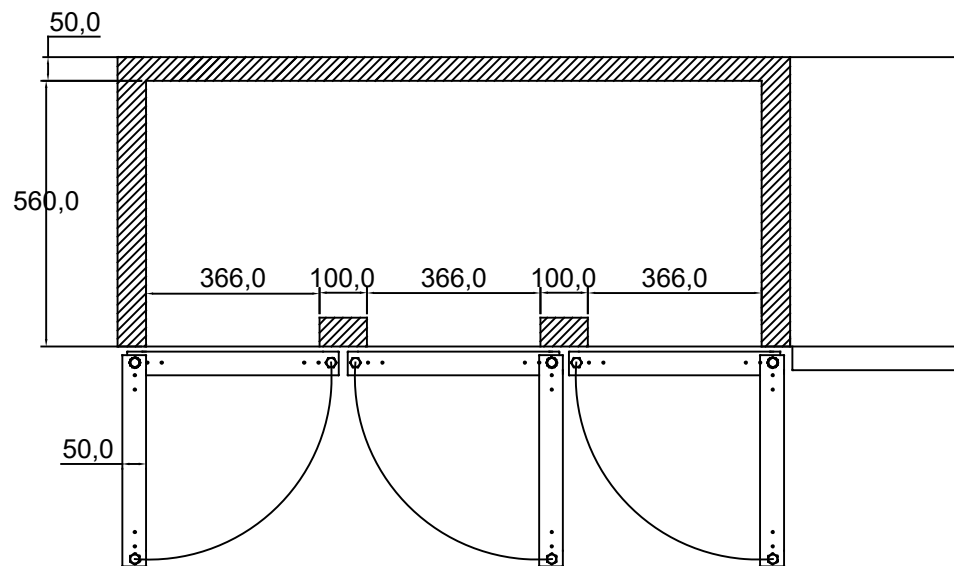


SECTION B-B



SECTION A-A

L1	C1	L2	C2

R&D	DATE	GENERAL TOLERANCES	
DRAWN		DIN 7168 M	
CONTROL			
APPROV.			
REVISION	0	SCALE	1:100

HOSHIZAKI



DESCRIPTION ACR-180

DESCRIPTION a DIMENSIONS

DO NOT SCALE FROM DRAWING!

ALL DIMENSIONS ARE IN (mm)