

Spare parts list

Eco/Baker Plus 140 G

Item number: 765042282
Release date: 13.11.2018
Released by: JABP
Revision date:
Revision no.: 000

Gram Commercial A/S
Aage Grams Vej 1
6500 Vojens, Danmark
Tel: +45 73 20 12 20
Fax: +45 73 20 12 01

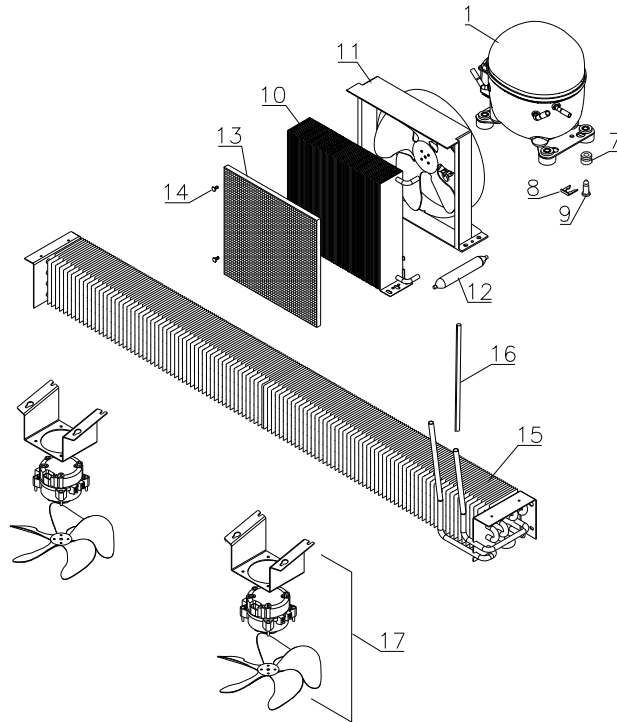
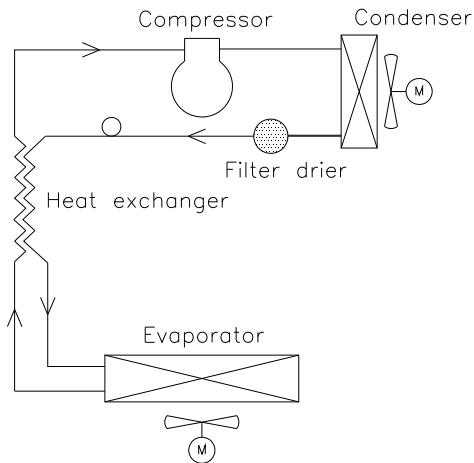


Content

Refrigeration system parts	3
Sensors and sensor positioning	6
Cabinet parts	7
Electrical parts.....	9
Door.....	10
Notes	11

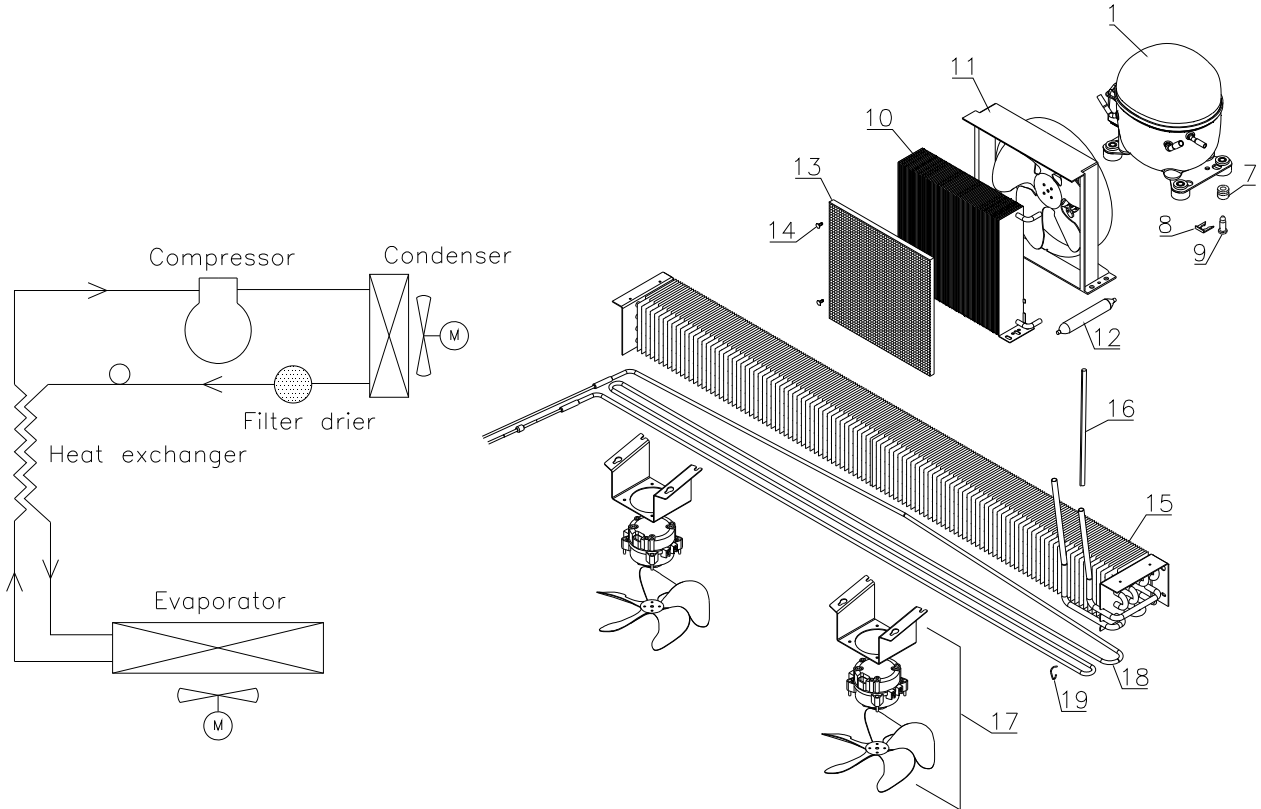
Refrigeration system parts

K 140 G



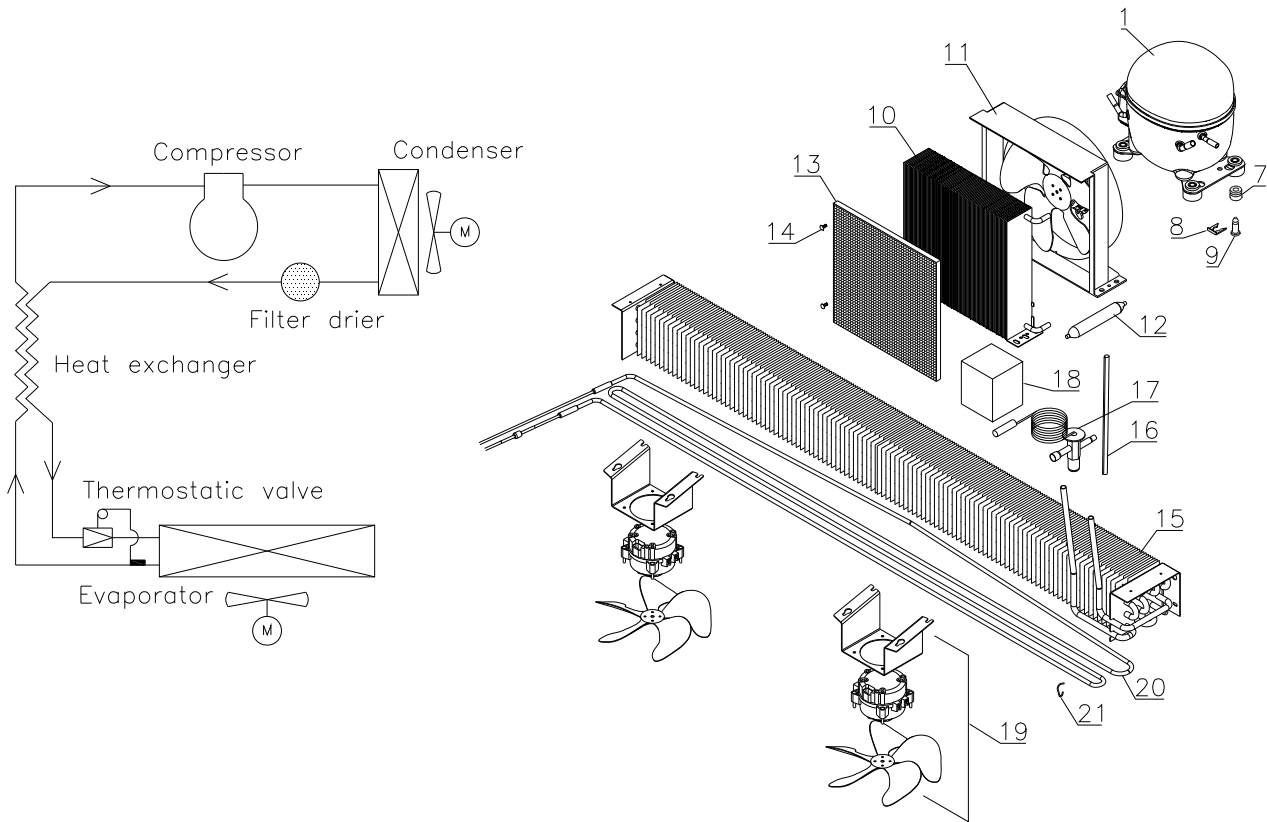
Item no.	Description	Gram part no.	Issued	Deleted
1	Compressor EMC 3125U	502900104	4718	
7	Rubber bush	760080519	4718	
8	Compressor clip	760082367	4718	
9	Compressor screw	760082711	4718	
10	Condenser	765080165	4718	
11	Cond.fan guard complete w/ fan	763254113	4718	
12	Filter drier	765080157	4718	
13	Air filter	761114416	4718	
14	Attachment plug	765081250	4718	
15	Evaporator	762900207	4718	
16	Heat exchanger	762900132	4718	
17	Evaporator fan complete	763254114	4718	

M 140 G



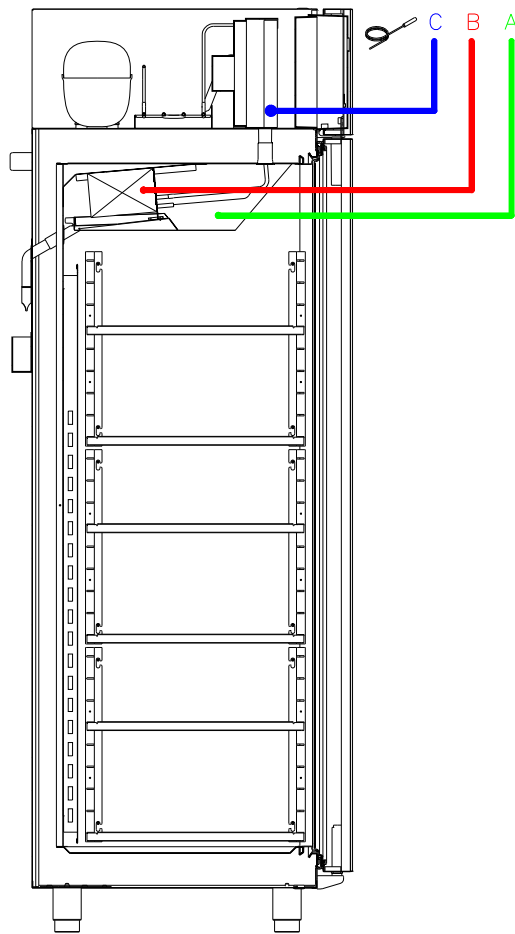
Item no.	Description	Gram part no.	Issued	Deleted
1	Compressor EMC 3125U	502900104	4718	
7	Rubber bush	760080519	4718	
8	Compressor clip	760082367	4718	
9	Compressor screw	760082711	4718	
10	Condenser	765080165	4718	
11	Cond.fan guard complete w/ fan	763254113	4718	
12	Filter drier	765080157	4718	
13	Air filter	761114416	4718	
14	Attachment plug	765081250	4718	
15	Evaporator	762900207	4718	
16	Heat exchanger	762900132	4718	
17	Evaporator fan complete	763254114	4718	
18	Defrost heater	765072134	4718	
19	Clip for defrost heater	761254427	4718	

F 140 G



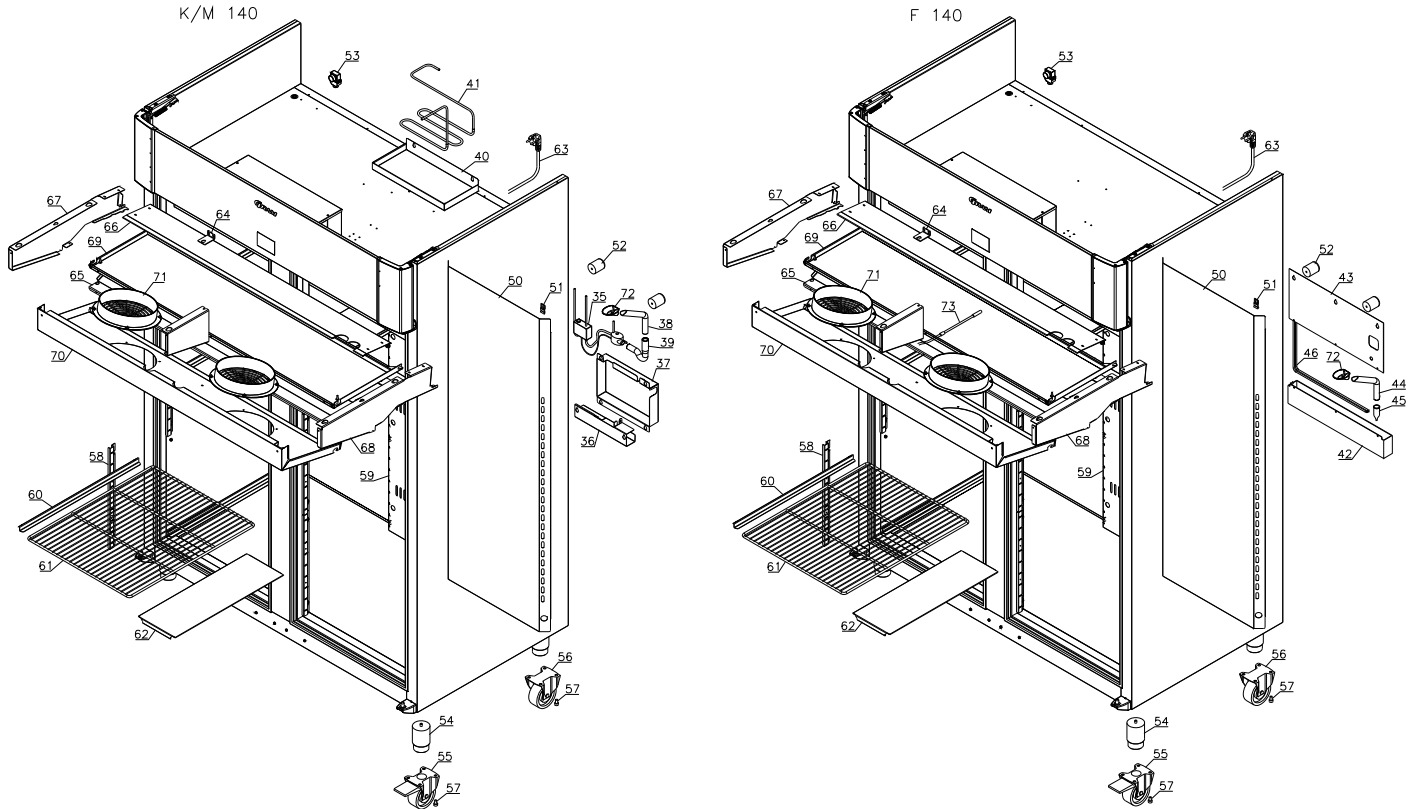
Item no.	Description	Gram part no.	Issued	Deleted
1	Compressor NEU2178U	502900105	4718	
7	Rubber bush	760080519	4718	
8	Compressor clip	760082367	4718	
9	Compressor screw	760082711	4718	
10	Condenser	765080166	4718	
11	Cond.fan guard complete w/ fan	761250707	4718	
12	Filter drier	765080159	4718	
13	Air filter	761114423	4718	
14	Attachment plug	765081250	4718	
15	Evaporator	762900207	4718	
16	Heat exchanger	762900215	4718	
17	Thermostatic valve	413164000	4718	
18	Valve insulation piece	763251317	4718	
19	Evaporator fan complete	763254114	4718	
20	Defrost heater	765072134	4718	
21	Clip for defrost heater	761254427	4718	

Sensors and sensor positioning



Item no.	Description	Gram part no.	Issued	Deleted
A	Room sensor	453531500	4718	
B	Defrost sensor	453531501	4718	
C	Condenser sensor	453531500	4718	

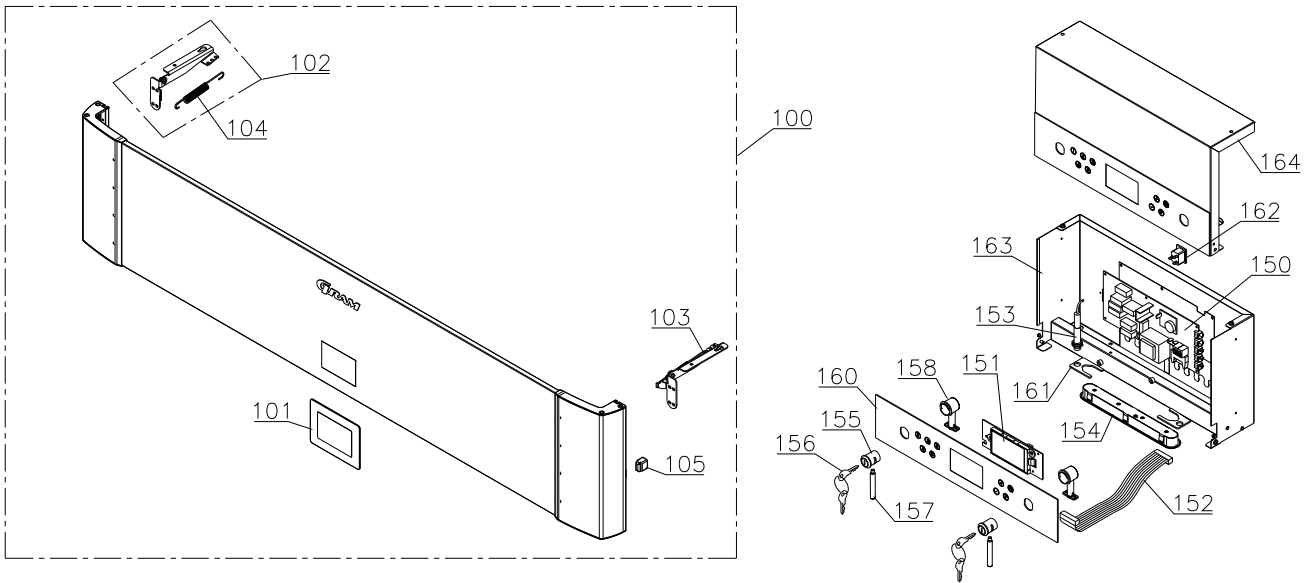
Cabinet parts



Item no.	Description		Gram part no.	Issued	Deleted
35	Condensate pump	K/M	765072200	4718	
36	Bracket for pump	K/M	763251896	4718	
37	Cover for pump	K/M	763251897	4718	
38	Drain pipe	K/M	765081253	4718	
39	Drain hose w/trap	K/M	765081176	4718	
40	Drain pan	K/M	760245531	4718	
41	Hot gas pipe for re-evaporation	K/M	760000358	4718	
42	Re-evaporation tray	F	765081149	4718	
43	Cover plate	F	763251894	4718	
44	Drain pipe	F	765081253	4718	
45	Water trap	F	760082891	4718	
46	Hot gas pipe for re-evaporation	F	762900057	4718	
50	Air distribution plate		763252614	4718	
51	Bracket		760250762	4718	
52	Distance bush		762251184	4718	
53	Air relief valve		765081206	4718	
54	Leg H=100-135 mm		765080118	4718	
54	Leg H=135-200 mm		765080115	4718	
55	Swivel castor w/brake H=109 mm		480270522	4718	
55	Swivel castor w/brake H=125 mm		480260050	4718	
56	Swivel castor H=109 mm		480270523	4718	
56	Swivel castor H=125 mm		480260100	4718	
57	Screw M8x12		422715000	4718	

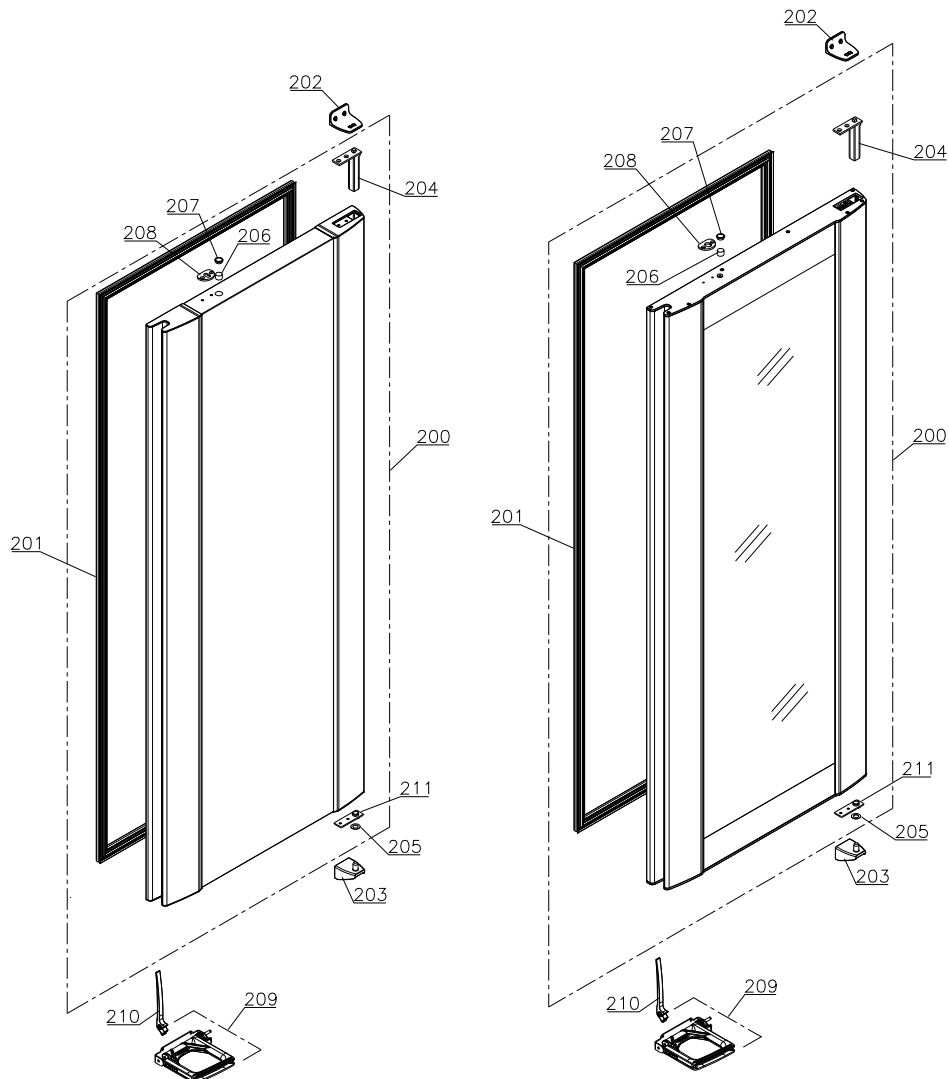
Item no.	Description	Gram part no.	Issued	Deleted
58	Wall rail, modular	763251914	4718	
58	Wall rail, full length	763251903	4718	
58	Wall rail, Baker 46x61/45x60	763251904	4718	
58	Wall rail, Baker 40x60	763251901	4718	
58	Wall rail, Baker 53x65	763251903	4718	
58	Wall rail, Baker 47x63	763251902	4718	
59	Wall rail, center/back	763251923	4718	
60	Shelf support set of 2	818885000	4718	
60	Shelf support set of 2, Baker	818885002	4718	
61	Stainless wire shelf	818880007	4718	
61	Grey wire shelf	818880008	4718	
62	Centre shelf	818880006	4718	
63	Power cord EU	765072566	4718	
63	Power cord UK	765072567	4718	
63	Power cord DK	765072568	4718	
64	Lock bracket	763252149	4718	
65	Drip tray	763251303	4718	
66	Evaporator cover, top	763251304	4718	
67	Evaporator cover, left	763251301	4718	
68	Evaporator cover, right	763251302	4718	
69	Evaporator cover, back	763251306	4718	
70	Fan plate	763251320	4718	
71	Fan guard	765081239	4718	
72	Drip water funnel	765081190	4718	
73	Drain line heater	765072154	4718	

Electrical parts



Item no.	Description	Gram part no.	Issued	Deleted
100	Front panel complete, Stainless	763254115	4718	
100	Front panel complete, Alu look	763254116	4718	
101	Display window	763252049	4718	
102	Hinge complete, left	763252060	4718	
103	Hinge complete, right	763252066	4718	
104	Spring	763252063	4718	
105	Panel spacer	763252058	4718	
150	Controller PCB, power part FS K01	763256000	4718	
150	Controller PCB, power part FS M07	763256018	4718	
150	Controller PCB, power part FS F01	763256002	4718	
151	Display PCB	612900053	4718	
152	Ribbon cable L=700	453582047	4718	
153	Door switch	450400113	4718	
154	LED light bar	450742011	4718	
155	Lock comb. A151	765080322	4718	
156	Key A151	765080399	4718	
157	Lock pin	763252153	4718	
158	Lock housing	765080047	4718	
160	Display label	765040677	4718	
161	Clip for LED bar	763252161	4718	
162	Appliance inlet	451022002	4718	
163	Junction box	763252129	4718	
164	Cover for junction box	763254117	4718	

Door



Item no.	Description	Gram part no.	Issued	Deleted
200	Door complete right, Stainless	763254118	4718	
200	Door complete right, Alu look	763254120	4718	
200	Door complete left, Stainless	763254119	4718	
200	Door complete left, Alu look	763254121	4718	
200	Glass door, right	763252210	4718	
200	Glass door, left	763252209	4718	
201	Gasket	763251705	4718	
202	Top hinge	763251782	4718	
203	Bottom hinge	763251765	4718	
204	Self closing device	763251774	4718	
205	Washer	760250527	4718	
206	Magnet for door switch	450401002	4718	
207	Plastic plug, grey	765081220	4718	
208	Lock bracket	763251090	4718	
209	Foot pedal, right	763251812	4718	
209	Foot pedal, left	763251813	4718	
210	Pedal arm	763251802	4718	
211	Hinge bearing complete	763251755	4718	

Notes
