

HOSHIZAKI
Advance MD



Parts list for
ADVANCE MD K 150 HG KG E



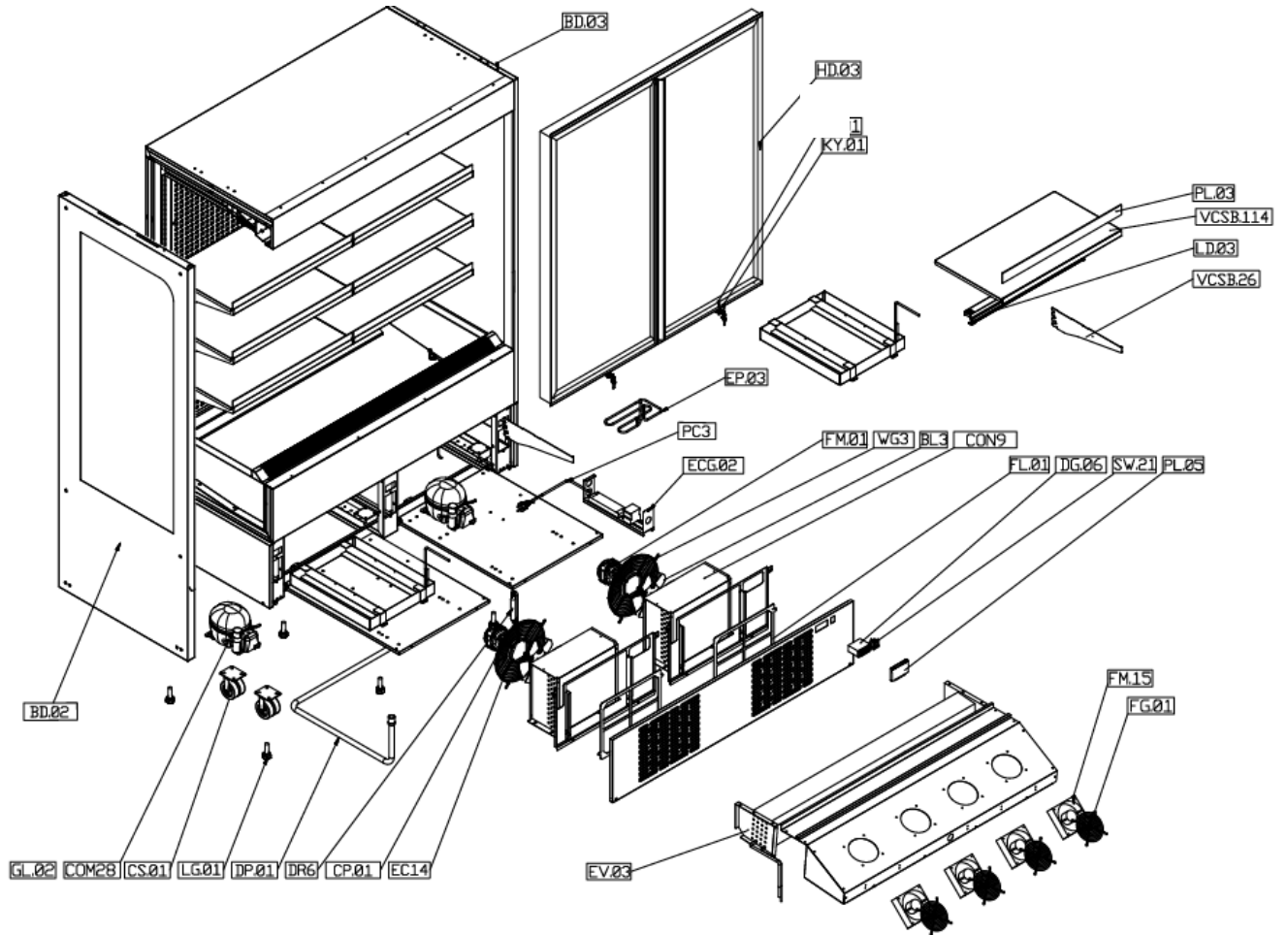
HOSHIZAKI Advance MD

Description :

Parts list for ADVANCE MD K 150 HG KG E

Compiled.		Latest revision.			Deleted.	
Date	Name	Date	Name	Rev.no	Date	Name
01/05/2026	DF	27/04/2026	AK			

Exploded view



HOSHIZAKI Advance MD

Description :

Parts list for ADVANCE MD K 150 HG KG E

Compiled.		Latest revision.			Deleted.	
Date	Name	Date	Name	Rev.no	Date	Name
01/05/2026	DF	27/04/2026	AK			

PICTURE ID	DESCRIPTION	HOSHIZAKI ITEM CODE
BL3	CONDENSER FAN BLADE IMPELLER ALU. Q25 CM - 28°	760660217
CP.01	BAKIR BORU İÇ Q 1 MM KILCAL (0,0209 kg/m)	760661044
COM28	KOMPRESOR R-290 EMBRACO EMC 3119 U	760660745
CON9	CONDENSER 6R- Ø25 (MA 20 081)	760660220
DR6	DRYER 20 GR DOUBLE INPUT 6,2/6,2-2,3 MM	760660330
EP.03	RE-EVAPORATION PIPE 6MM MULTIDECK-2	760660992
DG.06	DIGITAL CONTROLLER EVCO (EV3B23N7VXWX04) NTC 230 V AC VIT WHITE LED	760660986
WG3	FAN GUARD WIRE Q25 CM (METAL BODY MOTOR)	760660235
WG2	FAN GUARD PLASTIC Q20 (I-181-01)	760660068
FMP1	FAN SUPPORT PLASTIC Q20	760660077
VCSB.26	SHELF HOLDER	760661012
VCSB.114	SHELF SHEET 1500	760661031
EV.03	EVAPORATOR 6x4 (25x25_3/8") 1210L 8h 2NC	760661047
PL.03	SHELF STOPER PLEXIGLAS 1500	760661027
FM.01	ELCO FAN ECM HBR 25-25-2 HBR25W0EC3110	760660896
FM15	SUNON CF4113LBL-000U-ABD KARE FAN	760660370
FG.01	FAN KORUMA TELİ 12*12CM	760661042
LD.03	LED LIGHT 6500K-1500	760661025
PC1	POWER CORD 3 x 1,5 - 3 MT HO5VV-F	760660236
LG.01	ROUTIL LEG	760661003
DP.01	DRAIN PIPE-1000	760660987
EC14	DIJITAL SENSOR EVCO PROP (EVTPN630F200 NTC 2)	760661034
SW21	ANEL ON - OFF POWER SWITCH	760660637
FL.01	CONDENSER AIR FILTER MULTIDECK 1	760660995
ECG.02	ELECTRICAL BOX 1500	760661021
CS.01	CASTOR 2707	760660985
PL.05	DIGITAL CONTROLLER PROTECT COVER	760661010
HD.03	HINGED DOOR 2-DOOR WITH LOCK-1500	760661048
BD.02	LEFT SIDE WALL -GLASS AND POLYURETHANE	760661032
BD.03	RIGHT SIDE WALL -GLASS AND POLYURETHANE	760661033