

**HOSHIZAKI**  
**Advance MD**



**Parts list for**  
**ADVANCE MD K 120 HG KG E**



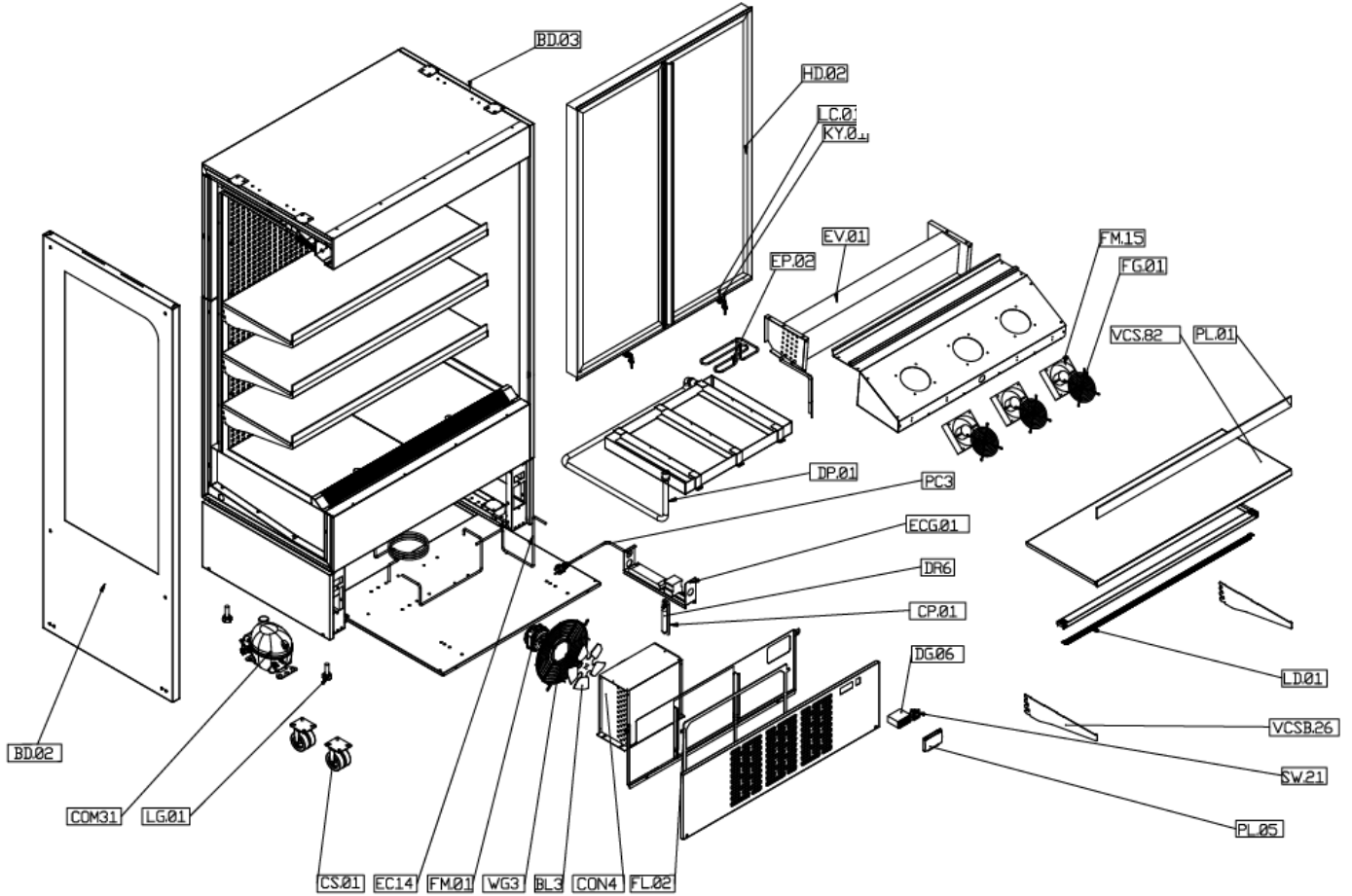
# HOSHIZAKI Advance MD

Description :

## Parts list for ADVANCE MD K 120 HG KG E

| Compiled.  |      | Latest revision. |      |        | Deleted. |      |
|------------|------|------------------|------|--------|----------|------|
| Date       | Name | Date             | Name | Rev.no | Date     | Name |
| 01/05/2026 | DF   | 27/04/2026       | AK   |        |          |      |

### Exploded view



**HOSHIZAKI  
Advance MD**

Description :

**Parts list for ADVANCE MD K 120 HG KG E**

| Compiled.  |      | Latest revision. |      |        | Deleted. |      |
|------------|------|------------------|------|--------|----------|------|
| Date       | Name | Date             | Name | Rev.no | Date     | Name |
| 01/05/2026 | DF   | 27/04/2026       | AK   |        |          |      |

| PICTURE ID | DESCRIPTION   | HOSHIZAKI ITEM CODE |
|------------|---|---------------------|
| BL3        | CONDENSER FAN BLADE IMPELLER ALU. Q25 CM - 28°                      | 760660217           |
| CP.01      | BAKIR BORU İÇ Q 1 MM KILCAL (0,0209 kg/m)                           | 760661044           |
| COM31      | KOMPRESOR R-290 EMBRACO EMC 3130 U                                  | 760660254           |
| CON4       | KONDANSER 8 SIRALI Ø25 DAVLUMBAZLI (MA 20 082)                      | 760660238           |
| DR6        | DRYER 20 GR DOUBLE INPUT 6,2/6,2-2,3 MM                             | 760660330           |
| EP.02      | RE-EVAPORATION PIPE 6MM MULTIDECK-1                                 | 760661018           |
| DG.06      | DIGITAL CONTROLLER EVCO (EV3B23N7VXWX04) NTC 230 V AC VIT WHITE LED | 760660986           |
| WG3        | FAN GUARD WIRE Q25 CM (METAL BODY MOTOR)                            | 760660235           |
| WG2        | FAN GUARD PLASTIC Q20 (I-181-01)                                    | 760660068           |
| FMP1       | FAN SUPPORT PLASTIC Q20   | 760660077           |
| VCSB.26    | SHELF HOLDER  | 760661012           |
| VCSB.82    | SHELF SHEET 1200  | 760661013           |
| EV.01      | EVAPORATOR 6x4 (25x25_3/8") 910L 8h 1NC                             | 760661045           |
| PL.01      | SHELF STOPER PLEXIGLAS 1200   | 760661026           |
| FM.01      | ELCO FAN ECM HBR 25-25-2 HBR25W0EC3110                              | 760660896           |
| FM15       | SUNON CF4113LBL-000U-ABD KARE FAN                                   | 760660370           |
| FG.01      | FAN KORUMA TELI 12*12CM   | 760661042           |
| LD.01      | LED LIGHT 1200  | 760661024           |
| PC1        | POWER CORD 3 x 1,5 - 3 MT HO5VV-F                                   | 760660236           |
| LG.01      | ROUTIL LEG  | 760661003           |
| DP.01      | DRAIN PIPE-1000   | 760660987           |
| EC14       | DIJITAL SENSOR EVCO PROP (EVTPN630F200 NTC 2)                       | 760661034           |
| SW21       | ANEL ON - OFF POWER SWITCH  | 760660637           |
| FL.02      | CONDENSER AIR FILTER MULTIDECK 2                                    | 760660996           |
| ECG.01     | ELECTRICAL BOX 1200   | 760660990           |
| CS.01      | CASTOR 2707   | 760660985           |
| PL.05      | DIGITAL CONTROLLER PROTECT COVER                                    | 760661010           |
| HD.02      | HINGED DOOR 2-DOOR WITH LOCK-1200                                   | 760661046           |
| BD.02      | LEFT SIDE WALL -GLASS AND POLYURETHANE                              | 760661032           |
| BD.03      | RIGHT SIDE WALL -GLASS AND POLYURETHANE                             | 760661033           |