



MODULAR ICE MAKER

FM-150AKE-HC(-SB)
FM-150AKE-HCN(-SB)

PARTS LIST

[HE]

F128-C101, F128-C107

H-1 JUL. 2018
K-1 JAN. 2020
Q-1 DEC. 2025

List of Specifications

FM-150AKE-HC-SB	F128-C101	220-240V 50Hz Flake type
FM-150AKE-HCN-SB	F128-C107	220-240V 50Hz Nugget type

Auxiliary Codes

Auxiliary Code Breakdown

The auxiliary code is the first two characters in the serial number. The first character indicates the year. Years progress or regress in alphabetical order. The series runs from "A" through "V" and the letters "I" and "O" are skipped. The second character indicates significant part changes within a year. Base is "0" and this number advances for each change. In cases where there is a letter in parentheses, this designates the month. This is the last character in the serial number. The series runs from "(A)" through "(M)" and the letter "(I)" is skipped. This designation is only included when identifying a parts change within an auxiliary code.

Note About Ordering Parts

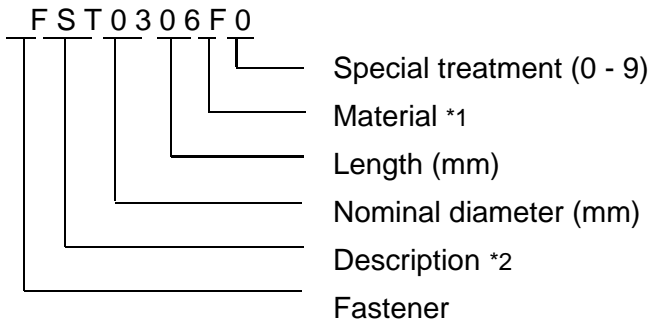
Most assemblies cannot be ordered as complete units; parts in the assemblies generally must be ordered separately.

MARKS LOCATED UNDER THE AUXILIARY CODE

- = Part deleted.
- x = Part deleted and replaced by "o" part.
- o = New part in place of "x" part.

FASTENER PART NUMBER

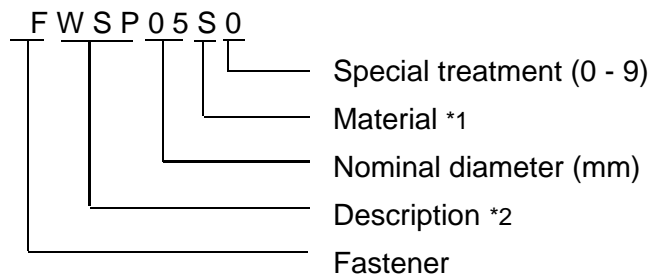
SCREWS



*1 Material

- F: Steel
- S: Austenitic stainless steel
- M: Martensitic stainless steel
- B: Copper alloy
- P: Polycarbonate
- N: Polyamide
- V: PVC
- A: ABS
- X: Polyacetal
- L: Aluminum

NUTS & WASHERS



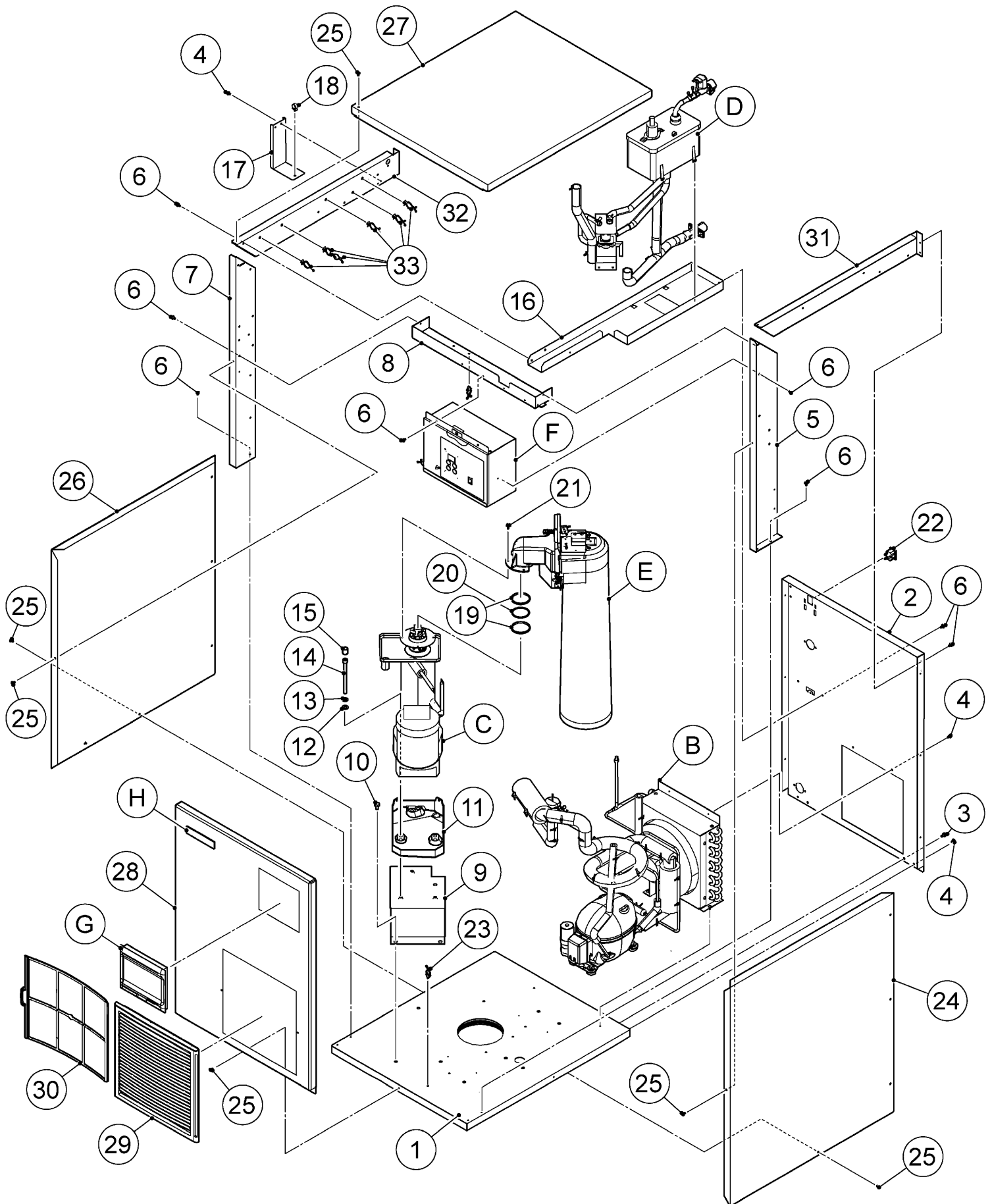
*2 Description

- First letter
- S: Machine screw
 - T: Tapping screw
 - M: Wood screw
 - B: Bolt
 - W: Washer
 - N: Nut

FM-150AKE-HC(-SB)
FM-150AKE-HCN(-SB)

A. ICE FLAKER ASSY

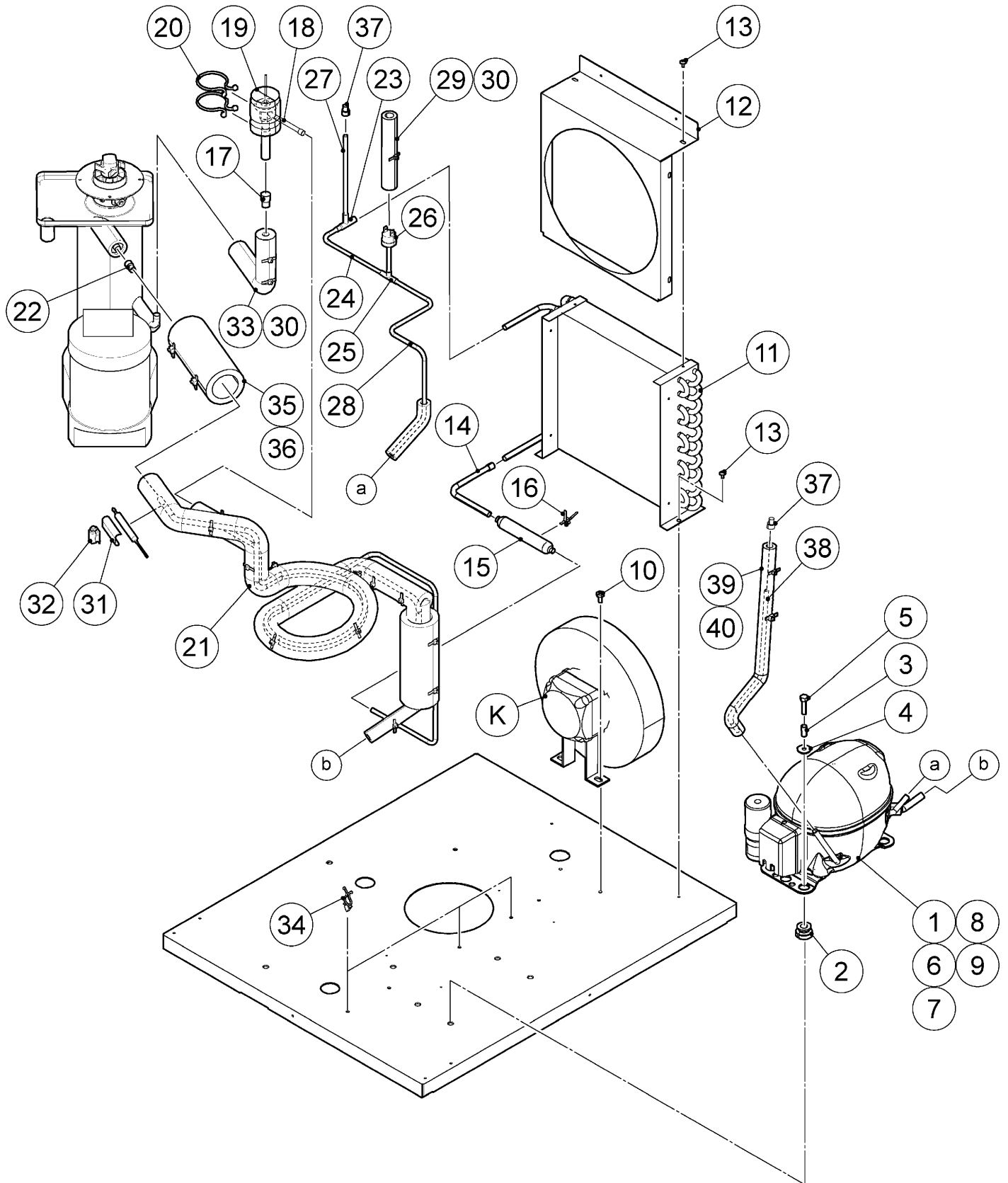
(H-1) and later



MODEL: **FM-150AKE-HC(-SB)**
FM-150AKE-HCN(-SB)

TITLE: **A. ICE FLAKER ASSY**

INDEX NO.	DESCRIPTION	MATERIAL OR MODEL NUMBER	PART NUMBER	REQ'D NUMBER				
				H-1 and later				
B	REFRIGERATION CIRCUIT		125843A01	1				
C	ICE MAKING UNIT	F128-C101	386905A01	1				
		F128-C107	386905001	1				
D	WATER CIRCUIT		126632A01	1				
E	CHUTE UNIT	(S-20288)	253526A01	1				
F	CONTOROL BOX ASSY		273876A01	1				
G	WINDW PANEL ASSY		348243A03	1				
H	LABEL LOCATION	F128-C101	273937A01	1				
		F128-C107	273937A02	1				
N	ACCESSORIES		A02524-01	1				
1	CHASSIS		125840G01	1				
2	REAR PANEL		126613M01	1				
3	HEX HEAD BOLT (SPRING WASHER AND FLAT WASHER)		FBK0512S0	2				
4	T2 TRUSS HEAD SCREW		FT20408F0	4				
5	SIDE FRAME (R1)		264212M01	1				
6	TRUSS HEAD MACHINE SCREW		FST0408F0	19				
7	SIDE FRAME (L1)		264214M01	1				
8	FRONT FRAME		261984M01	1				
9	BRACKET - GEAR MOTOR		377262G01	1				
10	HEX HEAD BOLT		FBH0816S0	3				
11	DRAIN PAN		261640P01	1				
12	SEAL WASHER		458299-01	3				
13	SPRING WASHER		FWSP08S0	3				
14	HEXAGON SOCKET HEAD CAP SCREW		461285-01	3				
15	VINYL CAP		451272-01	3				
16	BRACKET - RESERVOIR		273883M01	1				
17	BRACKET - PIPE		484080M01	1				
18	CLAMP		428644-03	1				
19	RING		432661-03	2				
20	O - RING		7616-G045	1				



MODEL: **FM-150AKE-HC(-SB)**
FM-150AKE-HCN(-SB)

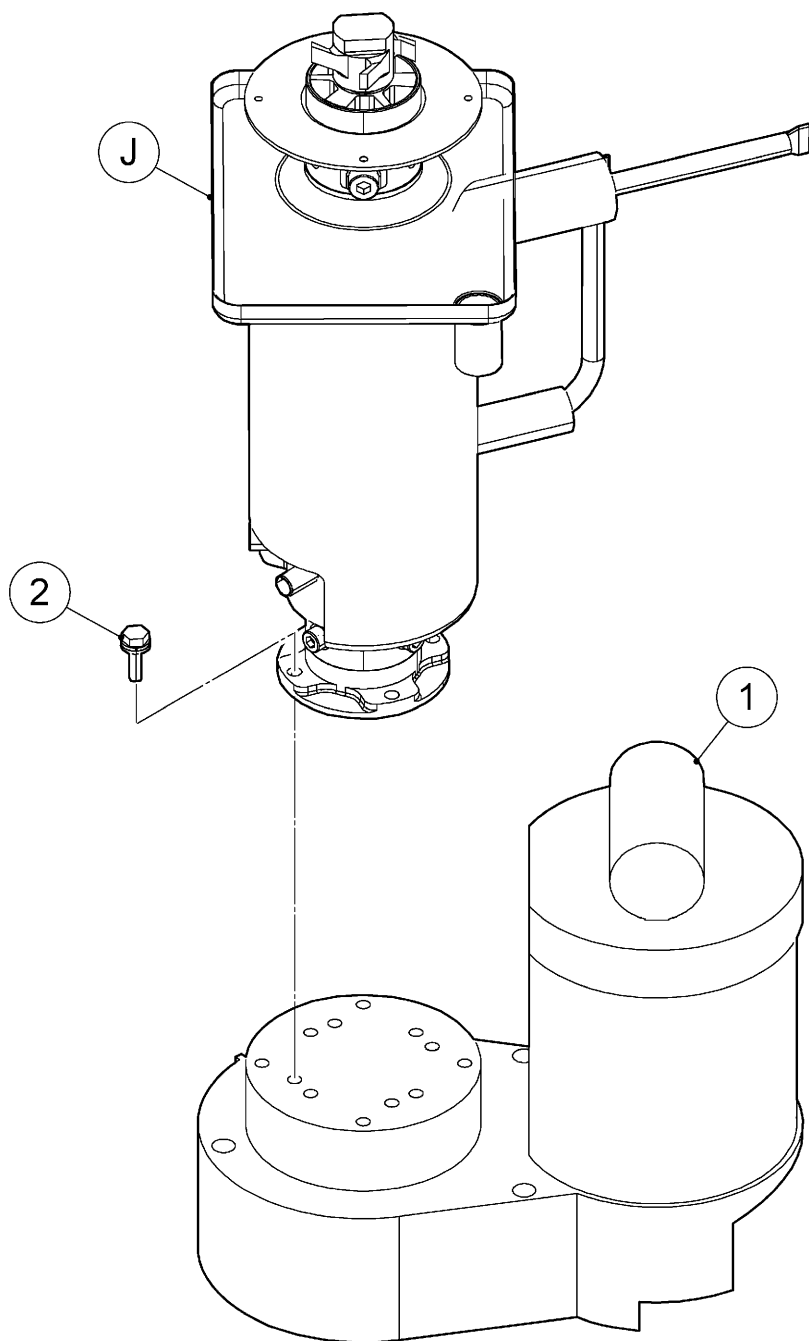
TITLE: **B. REFRIGERATION CIRCUIT**

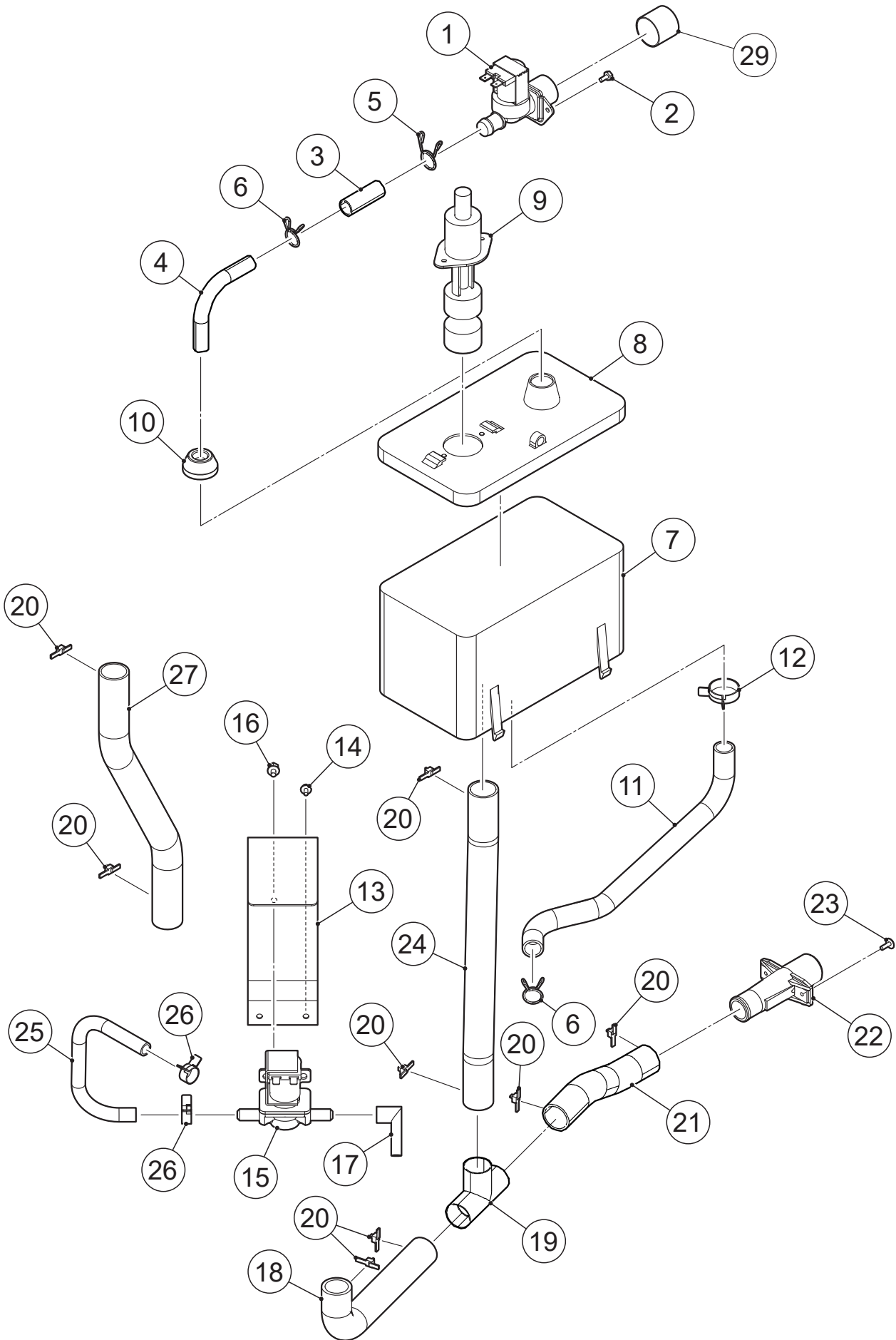
INDEX NO.	DESCRIPTION	MATERIAL OR MODEL NUMBER	PART NUMBER	REQ'D NUMBER				
				H-1 P-0	Q-1 and later			
K	FAN MOTOR ASSY		385956A01	1	1			
1	COMPRESSOR		P04759-01	1	-			
		KLF7.7CND	P07503-01	-	1			
2	GROMMET		450897-01	4	4			
3	BUSH CUSHION		450895-01	4	4			
4	WASHER CUSHION		450894-01	4	4			
5	BOLT		4A1459-01	4	4			
6	CORD RELIEF		4A3264-01	1	-			
7	STARTING CAPACITOR		450898-01	1	-			
		117U5001	P07060-01	-	1			
8	STARTING RELAY		P04783-01	1	-			
		117U7071	P07059-01	-	1			
9	COVER		P04178-01	1	-			
		10636401	P07697-01	-	1			
10	HEX HEAD BOLT		FBH0612S0	2	2			
11	CONDENSER		P03373-01	1	1			
12	SHROUD		386814M01	1	1			
13	T2 TRUSS HEAD SCREW		FT20408F0	8	8			
14	COPPER TUBE(C) - H		484063M01	1	1			
15	DRIER		P04629-01	1	1			
16	TIE		P05042-01	1	1			
17	REDUCER		421904-01	1	1			
18	EXPANSION VALVE		P04179-01	1	1			
19	VALVE COVER		3Y3196P01	1	1			
20	CLAMP		P00752-01	2	2			
21	HEAT EXCHANGER		126767G01	1	-			
			126767G02	-	1			
22	REDUCER		421904-17	1	1			

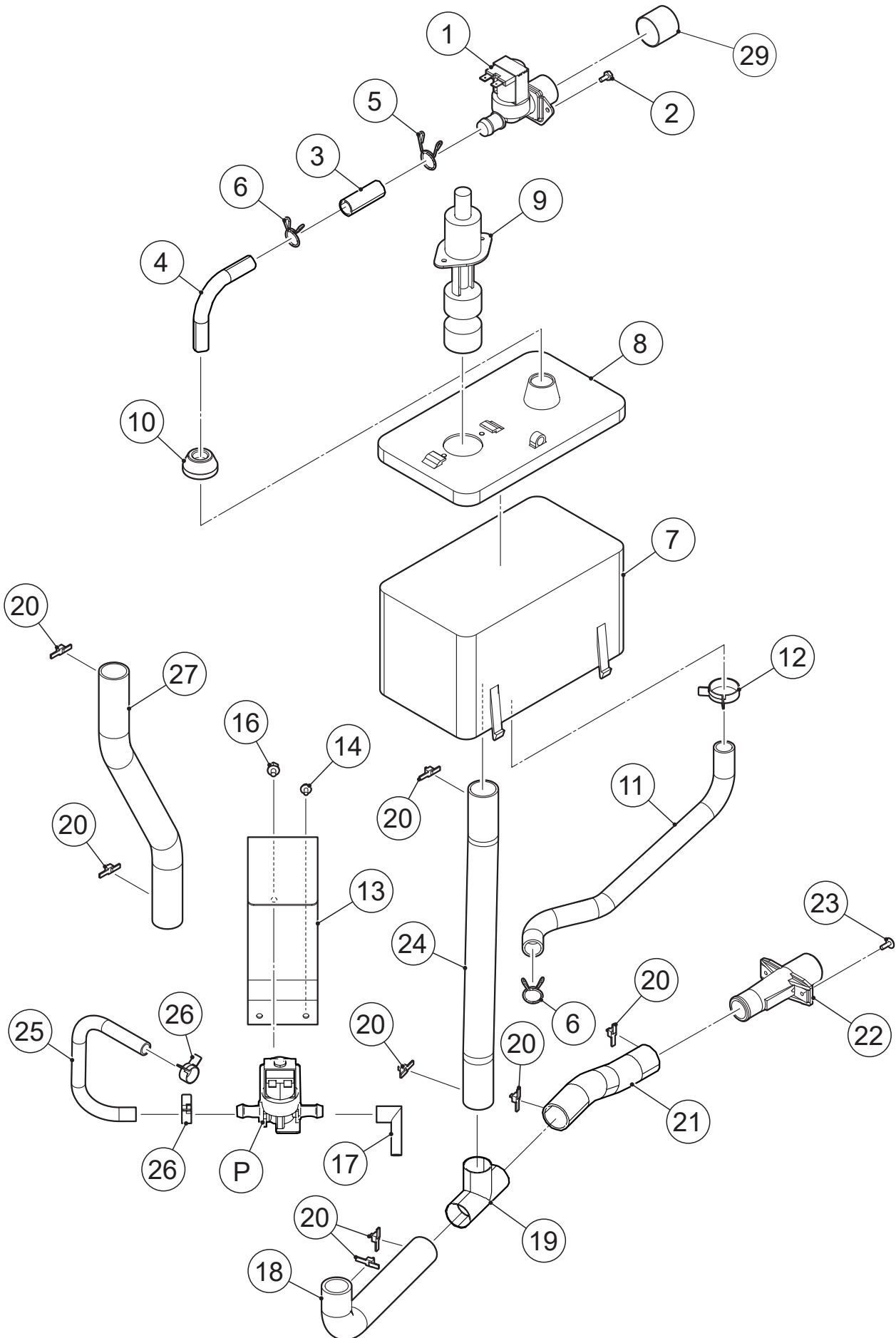
MODEL: **FM-150AKE-HC(-SB)**
FM-150AKE-HCN(-SB)

TITLE: **B. REFRIGERATION CIRCUIT**

INDEX NO.	DESCRIPTION	MATERIAL OR MODEL NUMBER	PART NUMBER	REQ'D NUMBER				
				H-1 P-0	Q-1 and later			
23	TEE	COPPER TUBE-HIGH SIDE 386595G01	420041-03	1	1			
24	COPPER TUBE (A) - HIGH SIDE		483592M01	1	1			
25	TEE - 6.4		417394-01	1	1			
26	PRESSURE SWITCH		459863-08	1	1			
27	CHARGE TUBE (B)		428058-02	1	1			
28	COPPER TUBE (B) - HIGH SIDE		386907M01	1	-			
			386595G02	3E0475M01	-	1		
29	INSULATION TUBE		H71323130	1	1			
30	TIE		7920-0003	8	8			
31	HOLDER - EXPV		451267-01	1	1			
32	CLAMP		443461-01	1	1			
33	INSULATION TUBE		H71030B16	1	1			
34	WIRE RETAINER		P05216-01	3	3			
35	INSULATION TUBE		H74262B15	1	1			
36	TIE		7920-0028	2	2			
37	LOCKRING STOPPER		P01677-01	2	2			
38	PROCESS TUBE - LOW SIDE		468444-01	1	1			
39	INSULATION TUBE		H71020450	1	1			
40	NYLON TIE		7920-0010	1	1			





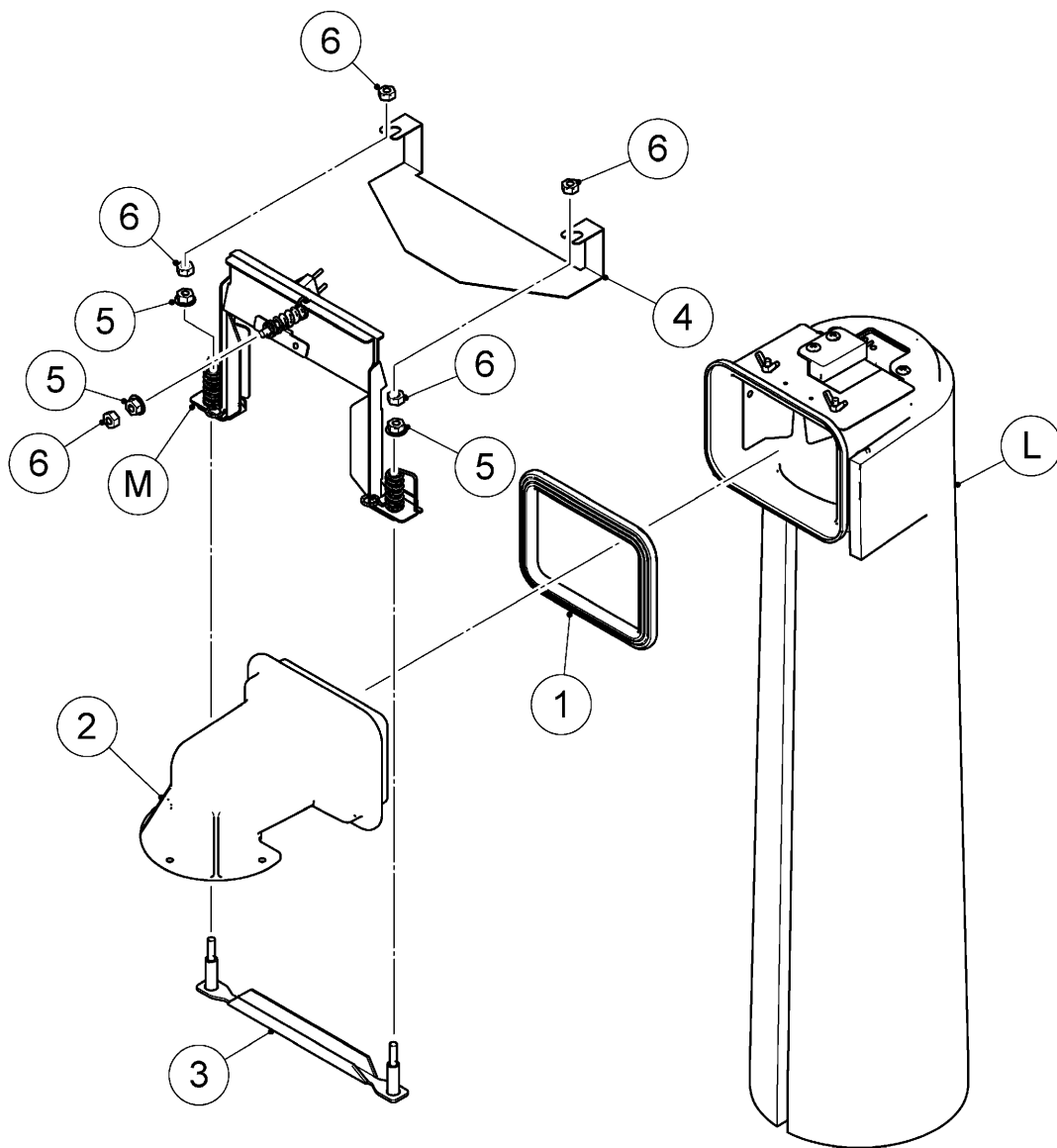


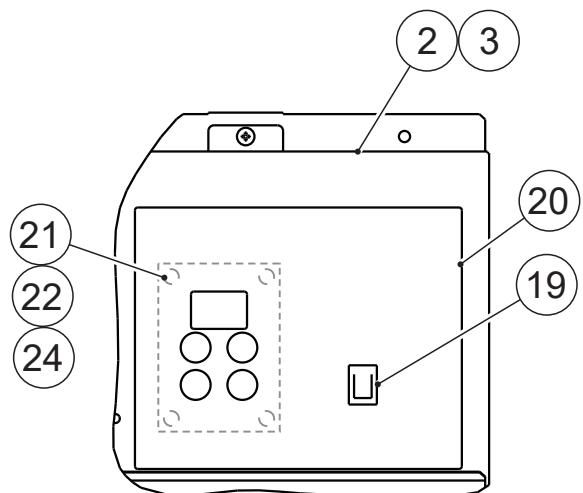
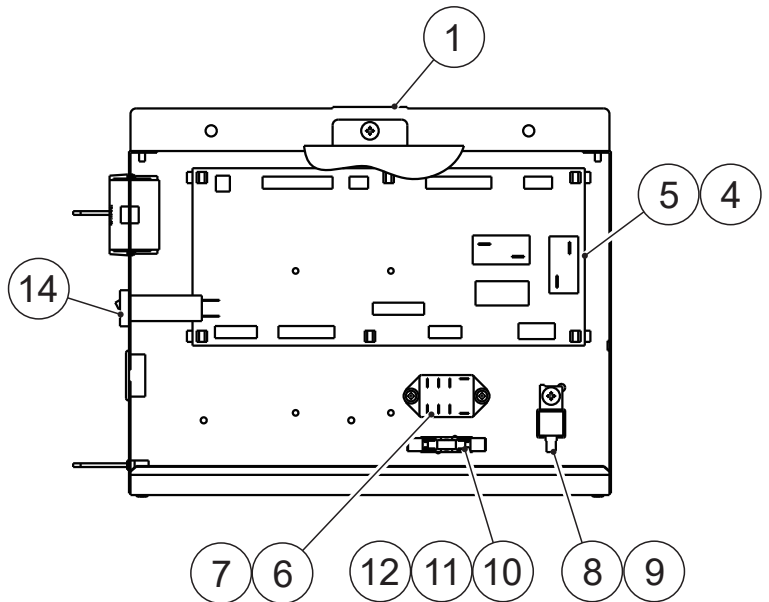
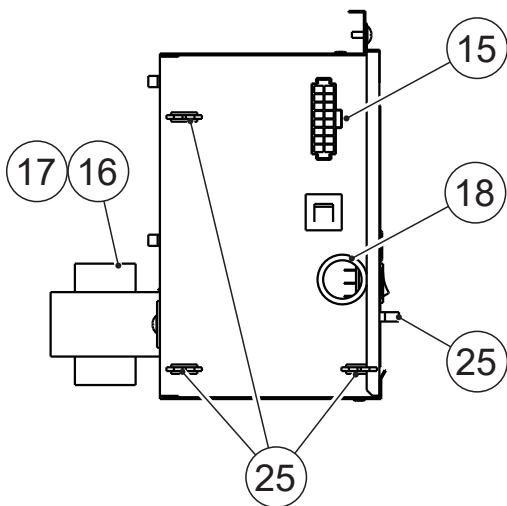
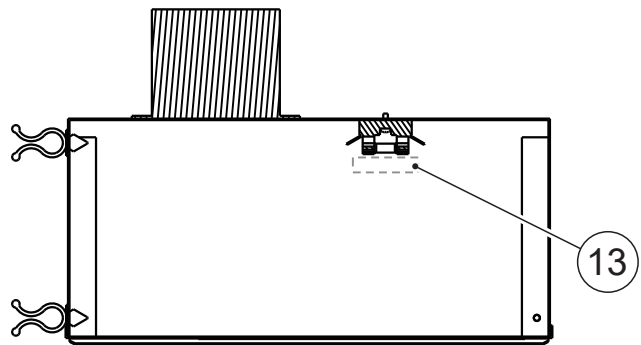
(S-20288)

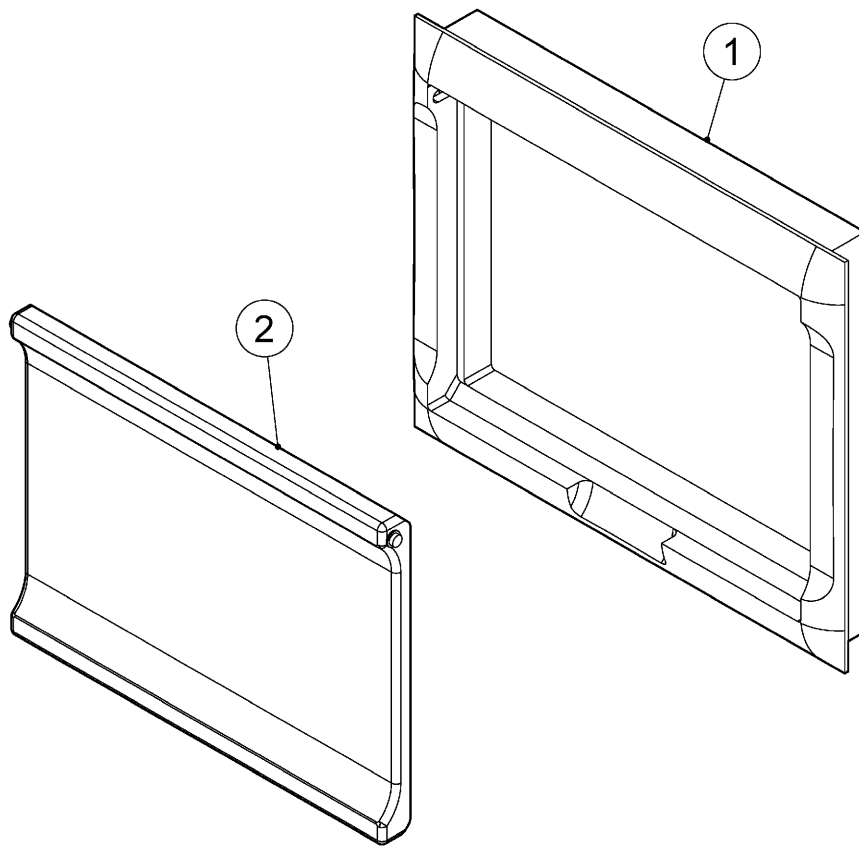
FM-150AKE-HC(-SB)
FM-150AKE-HCN(-SB)

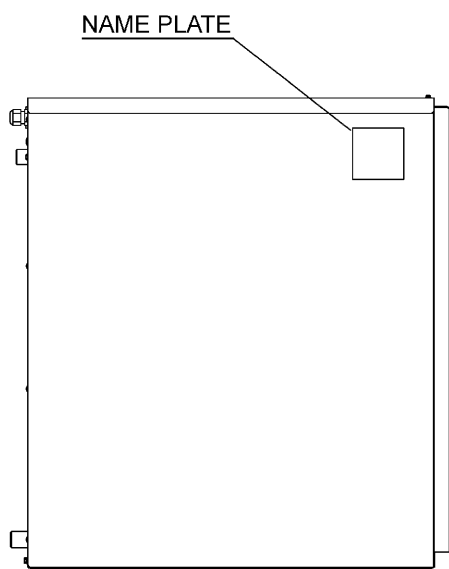
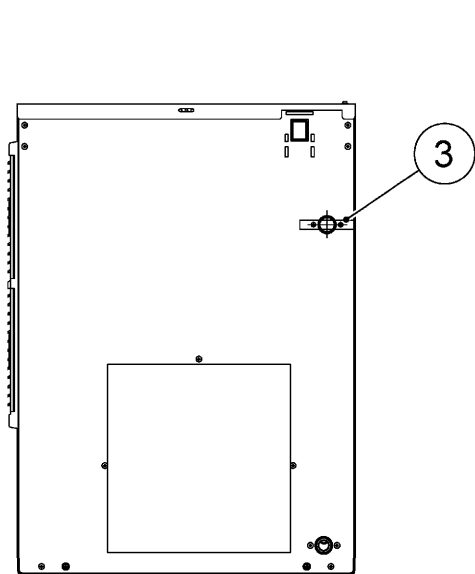
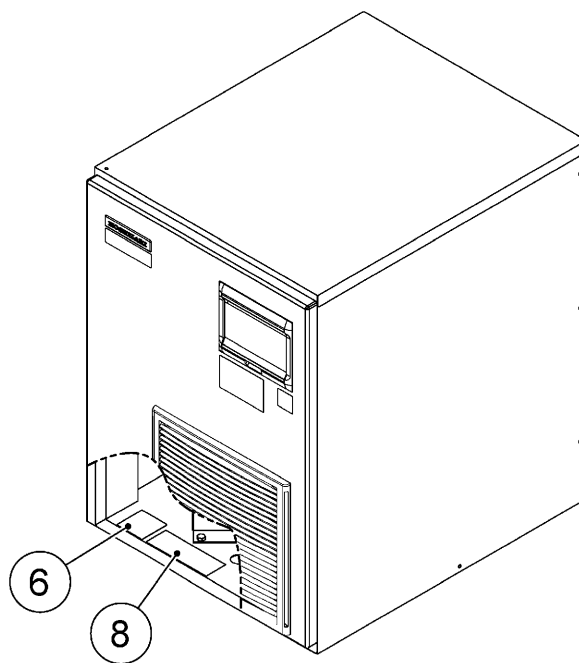
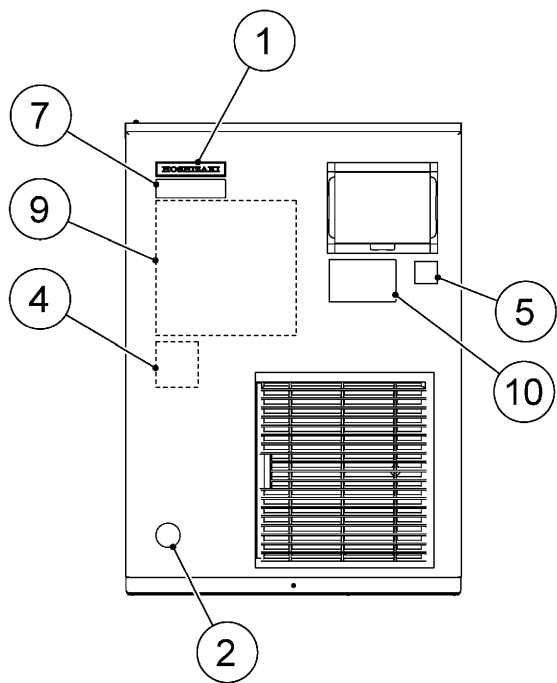
E. CHUTE UNIT

(H-1) and later







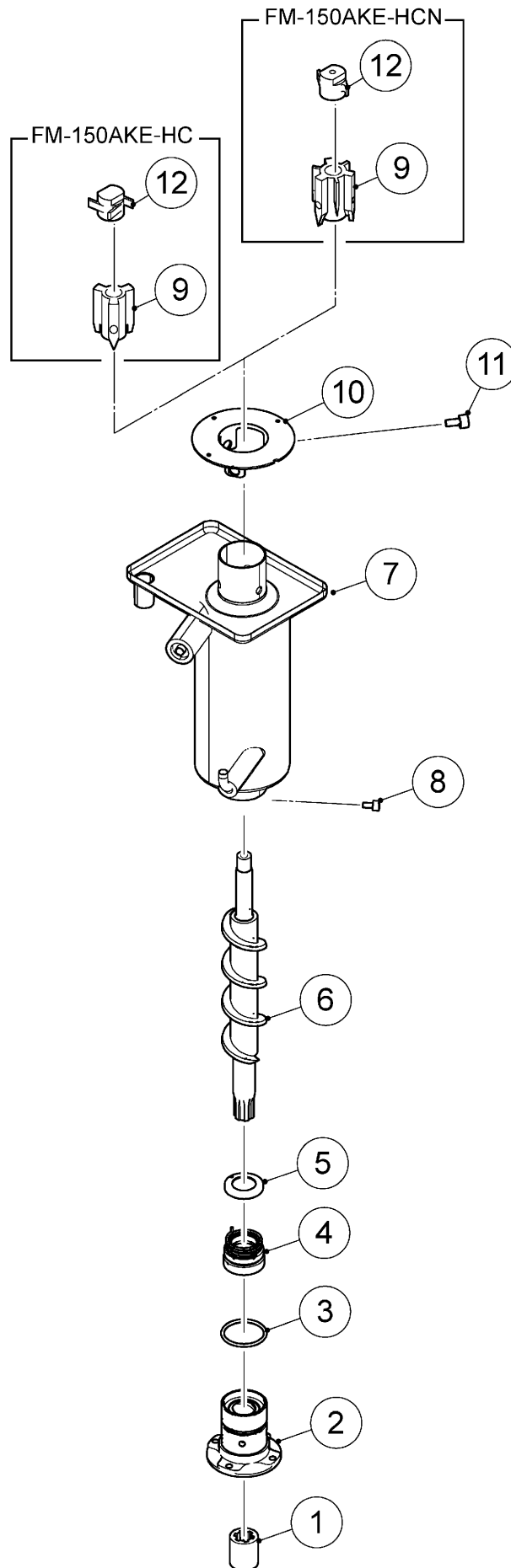


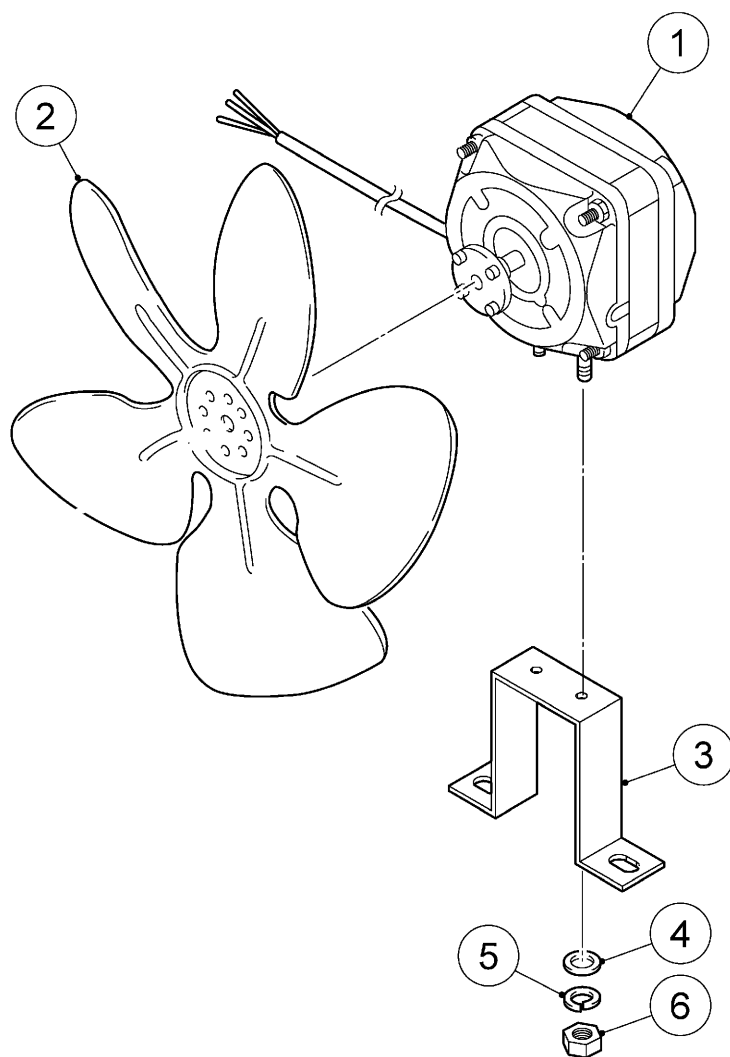
(S-20190)

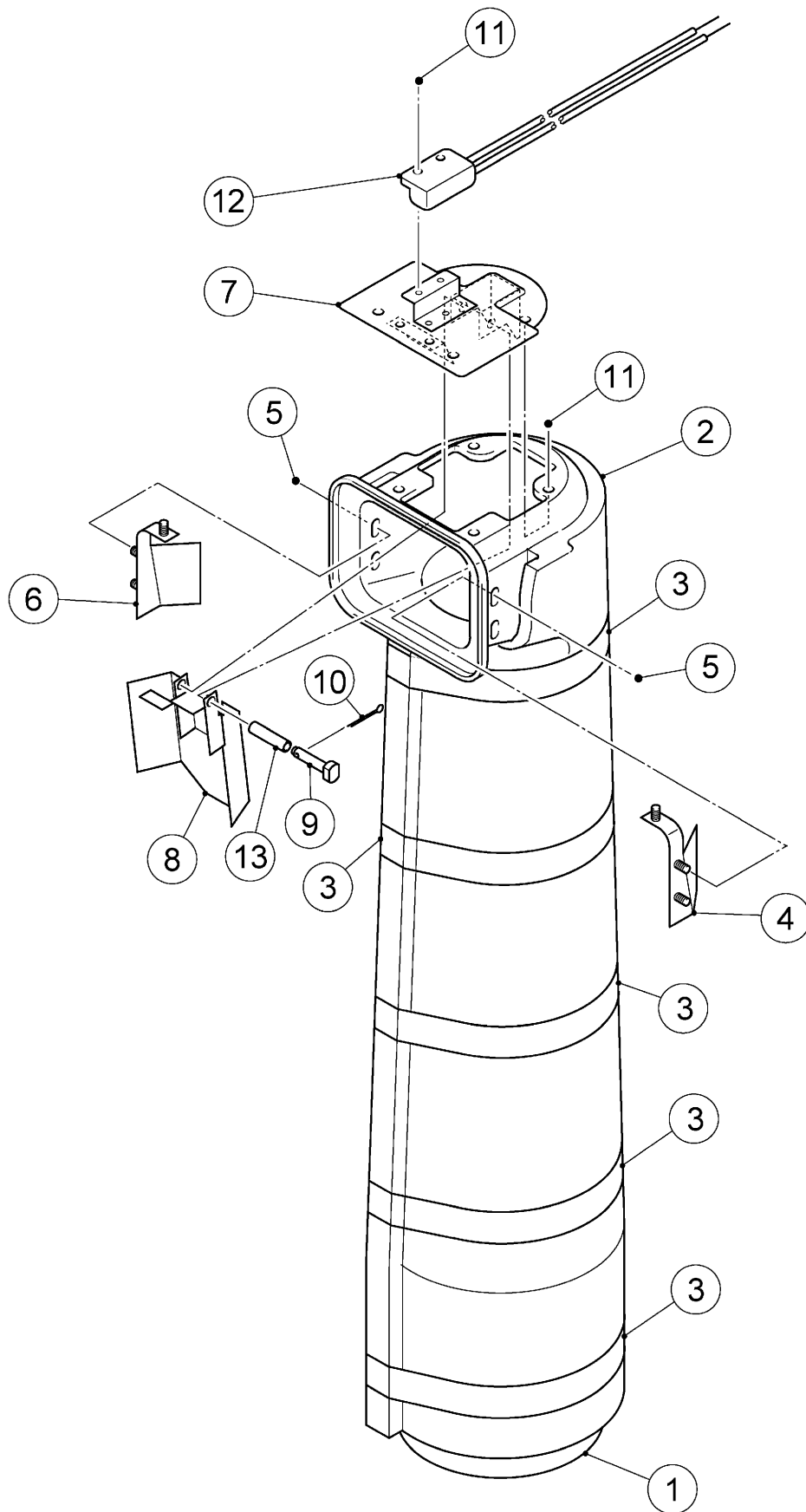
FM-150AKE-HC(-SB)
FM-150AKE-HCN(-SB)

J. EVAPORATOR ASSY

(H-1) and later





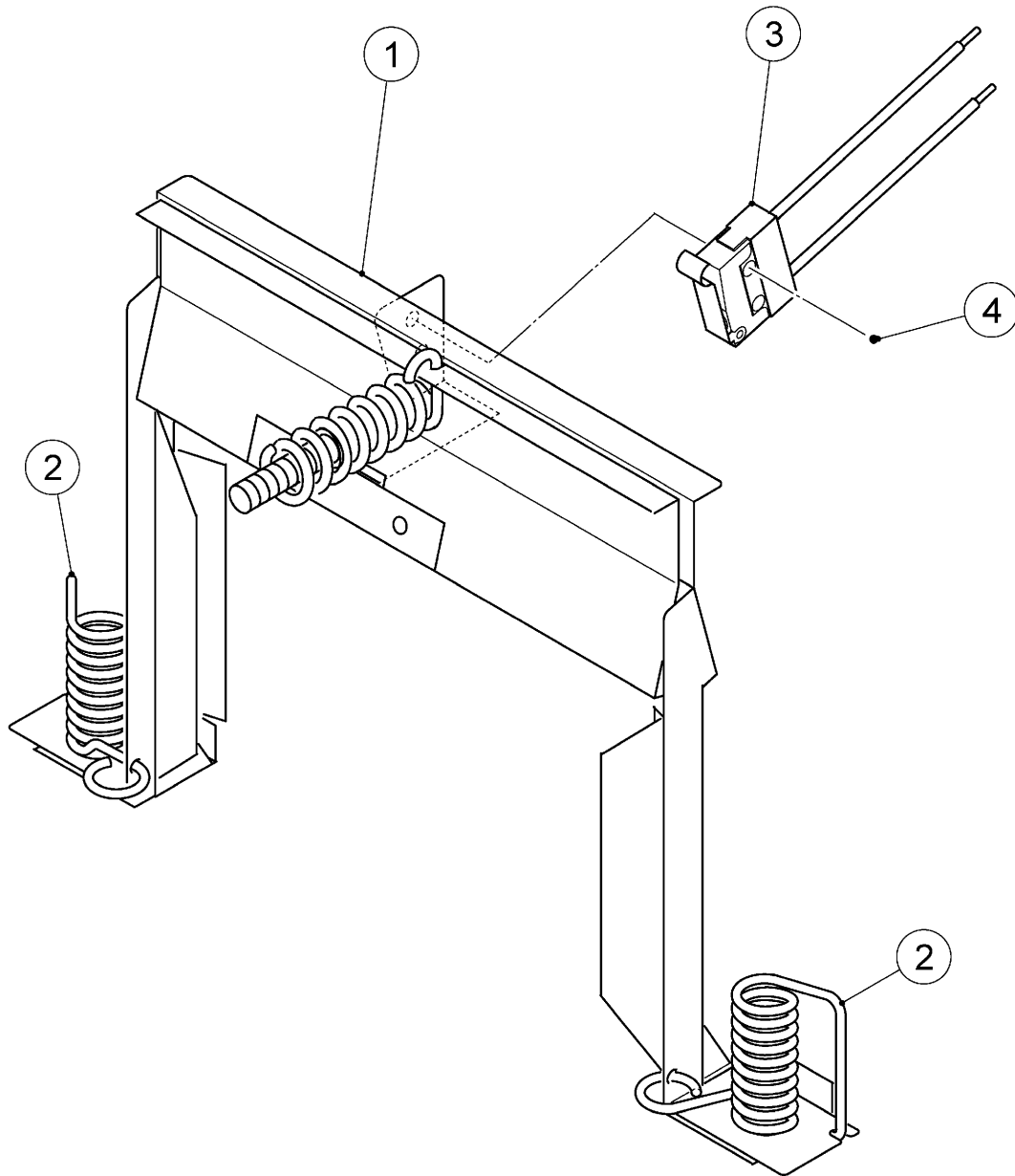


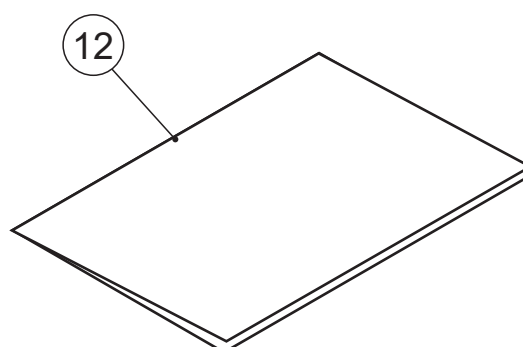
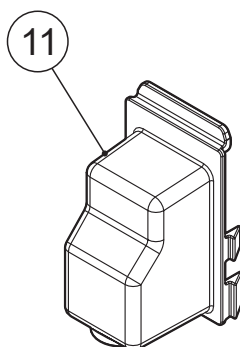
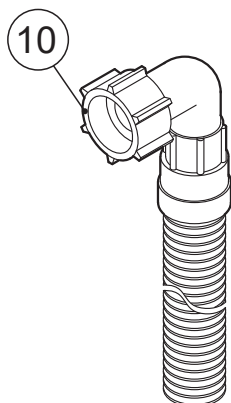
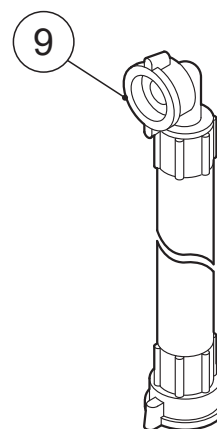
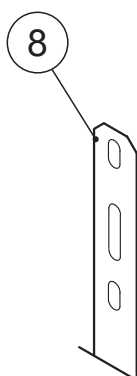
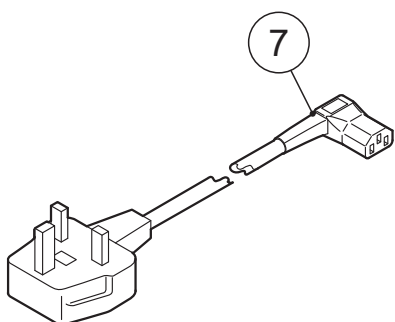
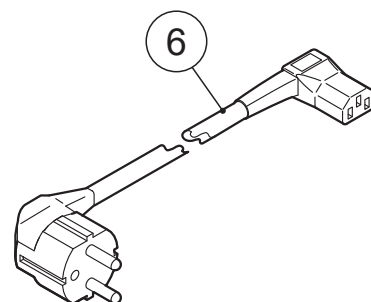
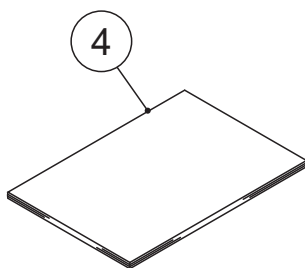
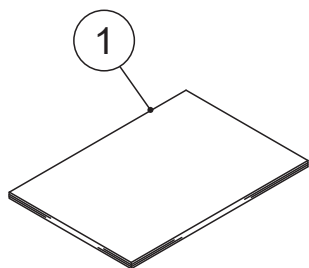
(S-9165)

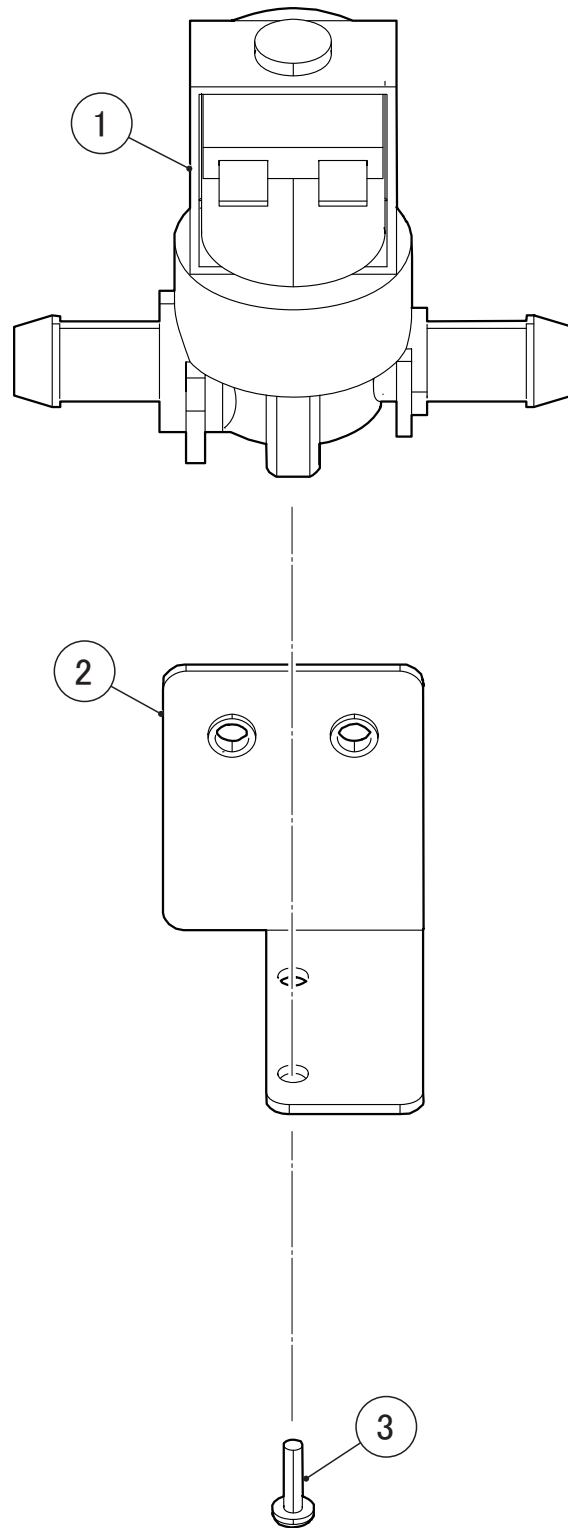
FM-150AKE-HC(-SB)
FM-150AKE-HCN(-SB)

M. BAND(A) ASSY

(H-1) and later







MODEL: FM-150AKE-HC(-SB)
MODEL: FM-150AKE-HCN(-SB)

TITLE: P. WATER VALVE ASSY

INDEX NO.	DESCRIPTION	MATERIAL OR MODEL NUMBER	PART NUMBER	REQ'D NUMBER	
				H-1 K-0	K-1 and later
1	WATER VALVE		P04521-01	-	1
2	BRACKET - DRAIN VALVE		486316M01	-	1
3	PAN HEAD TAPPING SCREW T2		FT50310F0	-	2