

CREATED DATE	08.01.2024
REVISION	A
DOCUMENT No.	WRL/RI/HC/21



HOSHIZAKI REACH-IN
MODEL: HRWH77LS4-LGGN

Table of Contents

A. PRODUCT NOMENCLATURE	2
B. LONG GLASS DOOR REFRIGERATOR ASSEMBLY	3
a. EVAPORATOR ASSEMBLY	5
b. EVAPORATOR MOTOR ASSEMBLY.....	6
c. DEW COLLECTOR ASSEMBLY	7
d. CONDENSING UNIT	8
e. CONDENSOR ASSEMBLY	10
f. CONDENSOR FAN MOTOR ASSEMBLY	11
g. POWER BOX ASSEMBLY	12
h. LONG GLASS DOOR ASSEMBLY RT.....	14
i. CANOPY ASSEMBLY HRWH77.....	15
C. OPTIONS.....	16
a. CASTOR OPTION.....	16
b. LEG OPTION.....	17
D. REVISION DETAILS:	18

A. PRODUCT NOMENCLATURE

HRWH77MS4R-LDGN

H: HOSHIZAKI
R/F: REFRIGERATOR /
FREEZER
W: WESTERN MAKE

H : Hydrocarbon Refrigerant
(R290)

77: 70cm Width 70cm internal depth
147: 140cm Width 70cm internal depth
127: 120cm Width 69cm internal depth

M: Standard Model (230V 50Hz)
L: LED Version (230V 50Hz)
B: Standard Model (220V 60Hz)
BL: LED Version (220V 60Hz)

R: Right Side Opening Door

S4: SS 430 HL NO 4 FINISH
S3: SS 304 HL NO 4 FINISH

HG: HALF GLASS DOOR

GN: GASTRONORM PAN COMPATIBLE (2/1 GN max)

LD: LONG SOILD DOOR

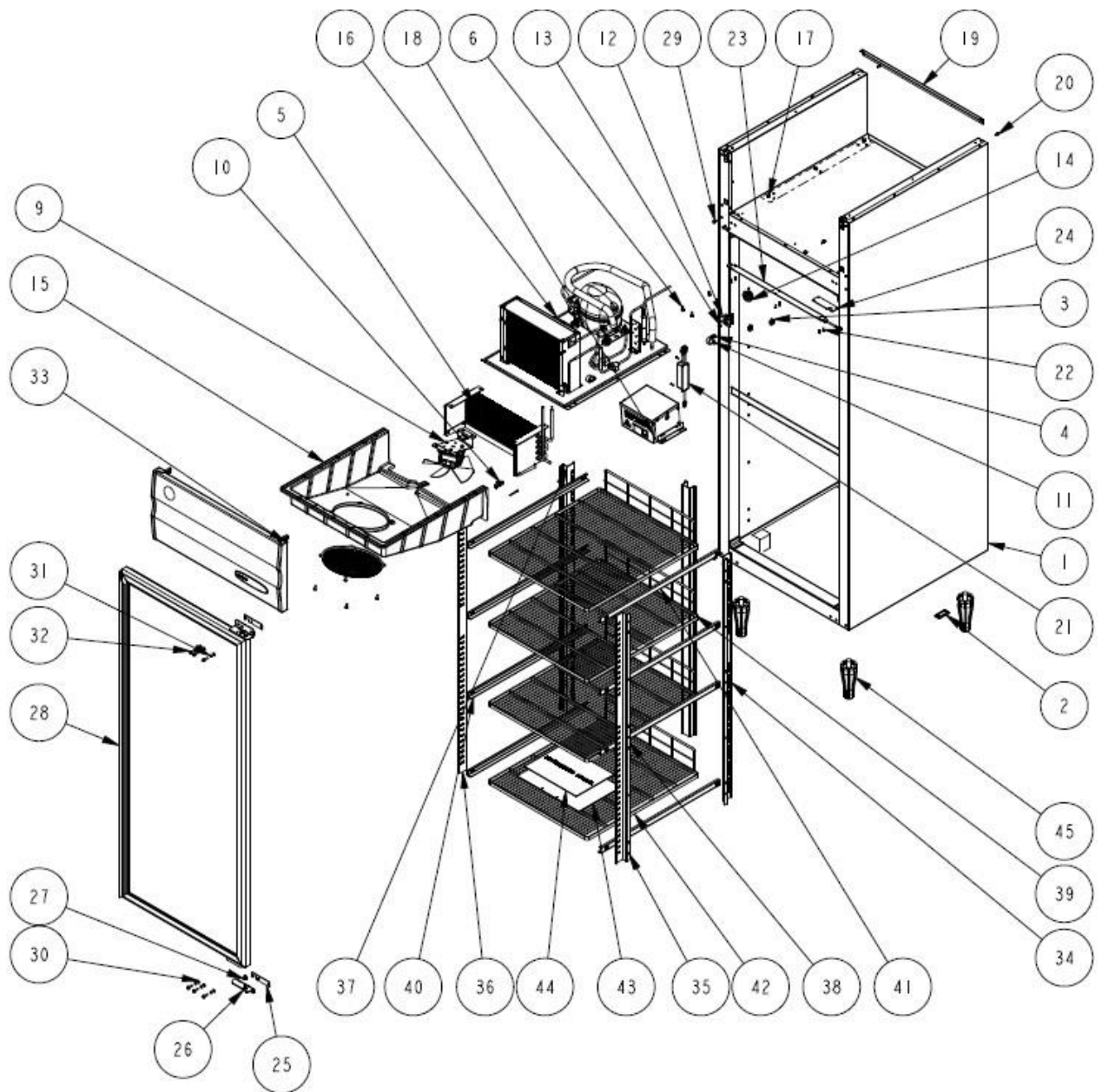
LDGN: COMBINATION OF GN & LD

HGGN: COMBINATION OF GN & HALF GLASS DOOR

LG: LONG GLASS DOOR

LGGN: COMBINATION OF GN & LONG GLASS DOOR

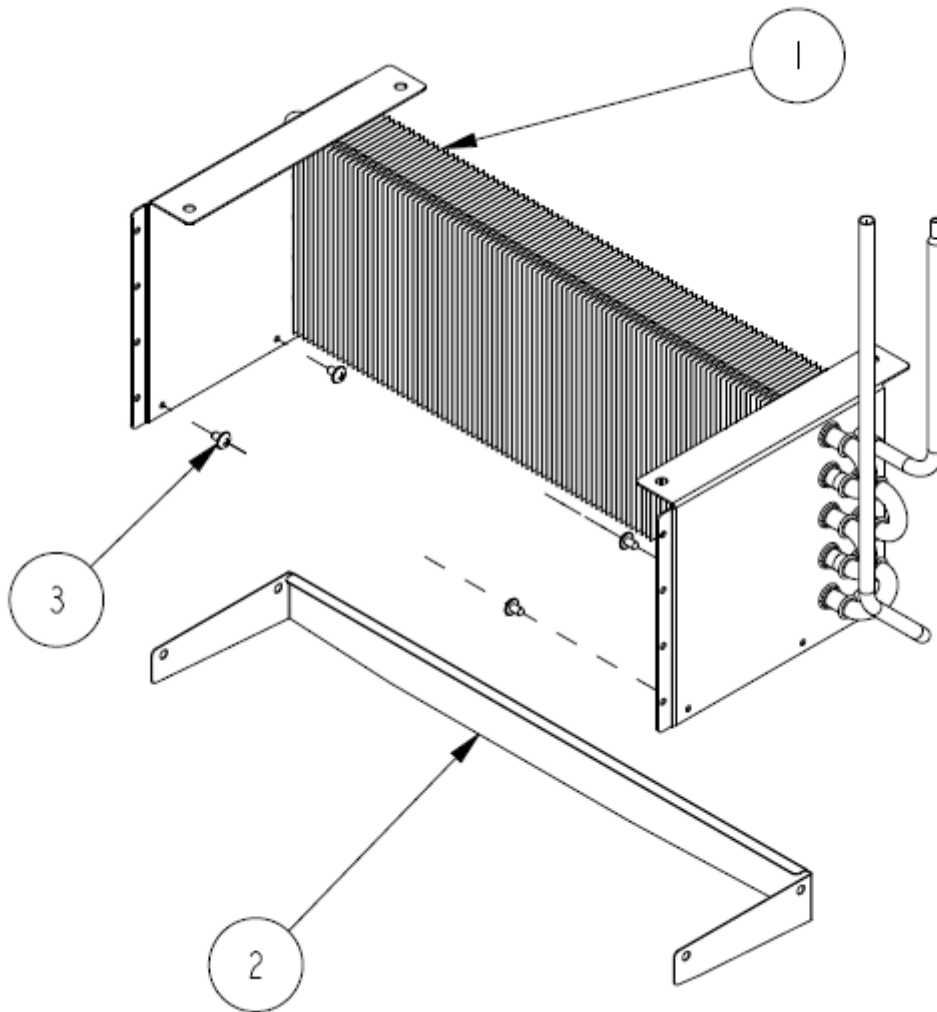
B. LONG GLASS DOOR REFRIGERATOR ASSEMBLY



INDEX NO.	PART CODE	DRAWING NO	PART/ ASSEMBLY	DESCRIPTION	UOM	HRWH77LS4-LGGN
1		0712265	PART	FOAMED CABINET	NOS	1
2	1507447	0201060	PART	DRAIN PAN CONNECTION COVER	NOS	1
3	1507647	-	PART	KSS WIRE SADDLE	NOS	2
4	1505109	-	PART	CORD FIXTURE ADJUSTABLE - 1 INCH	NOS	1
5	-	0711495	ASSY	EVAPORATOR ASSY	NOS	1
6	1508311	-	PART	SCREW TAPTITE M5X12 SS - P02005-01	NOS	14
7	1507717	0600574	PART	HARNESS EVAPORATOR MOTOR	NOS	1
8	1121747	0601342	PART	SENSOR HARNESS SUS	NOS	1

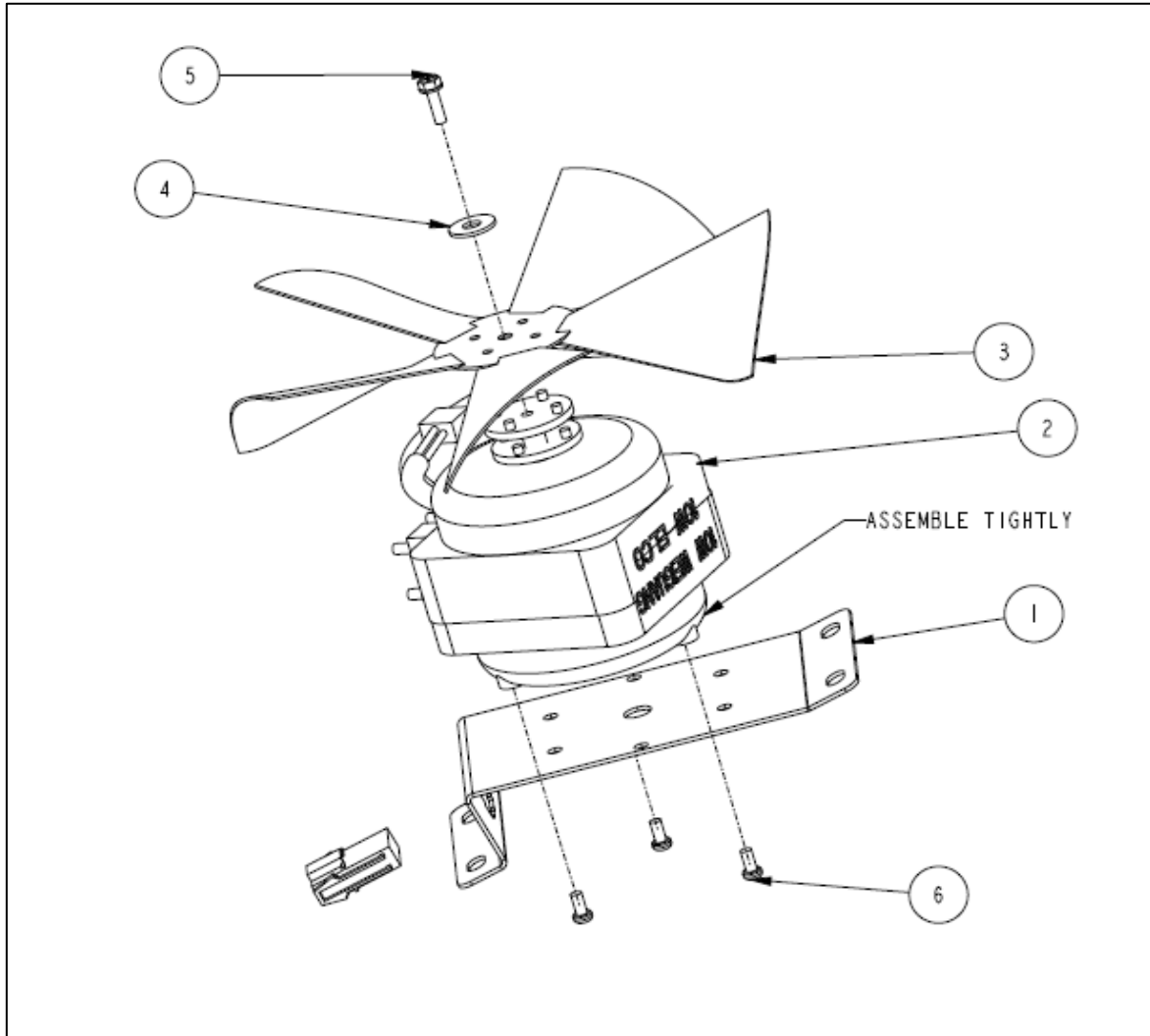
INDEX NO.	PART CODE	DRAWING NO	PART/ ASSEMBLY	DESCRIPTION	UOM	HRWH77LS4-LGNN
9	-	0712382	ASSY	EVAPORATOR MOTOR ASSEMBLY	NOS	1
10	1519186	0222320	PART	SENSOR CLIP COIL	NOS	1
11	1502183	-	PART	SCREW T4 X 12 (T4) SUS	NOS	1
12	1514594	0202684	PART	SENSOR HOLDING CLAMP	NOS	1
13	1503300	-	PART	SCREW T5 X 15 (T4) SUS	NOS	2
14	1510163	0201310	PART	DRAIN GASKET VMQ SILICON	NOS	1
15	-	0711507	ASSY	DEW COLLECTOR ASSEMBLY	NOS	1
16	1131538	0711823	ASSY	CONDENSING UNIT ASSY	NOS	1
17	1509560	-	PART	SCREW TAPTITE M5X14 MS	NOS	9
18	-	0712185	ASSY	POWER BOX ASSEMBLY HRWH	NOS	1
19	1107276	0114120	PART	CANOPY SUPPORT ANGLE	NOS	1
20	1502172	-	PART	SCREW SD4 X 12 MZN	NOS	2
21	-	0600890	PART	LED DRIVER	NOS	1
22	1502164	-	PART	SCREW S3 X 12 (T4) SUS	NOS	11
23	1508239	0600696	PART	PLASTIC LED BAR	NOS	1
24	1111141	0115768	PART	LED CONNECTOR BOX COVER LT	NOS	1
25	1516320	0506206	PART	BOTTOM HINGE ASSEMBLY RT	NOS	1
26	1500923	0502613	PART	HINGE COLLAR BUSH	NOS	1
27	1117813	0703893	ASSY	GLASS DOOR ASSY 77 RT	NOS	1
28	1508306	0201136	PART	SUS HOLE PLUG GREY	NOS	6
29	1502215	-	PART	WASHER W6 SUS	NOS	6
30	1508087	-	PART	SPRING WASHER M5	NOS	6
31	1511618	-	PART	M5 X 20 SS304 HEX HEAD SCREW	NOS	6
32	1516317	0201924	PART	HINGE SPACER LONG GLASS	NOS	2
33	1107864	0701479	ASSY	CANOPY ASSEMBLY	NOS	1
34	1112766	0115920	PART	GN RACK BACK HD RT	NOS	1
35	1516451	-	PART	SS RIVET MULTIGRIP SIZE 3.2 X11.4 MM	NOS	27
36	1125771	0115919	PART	GN RACK FRONT HD LT	NOS	1
37	1125773	0115920	PART	GN RACK BACK HD LT	NOS	1
38	1112765	0115919	PART	GN RACK FRONT HD RT	NOS	1
39	1113062	0116335	PART	SUPPORT CHANNEL	NOS	1
40	-	0115813	PART	C-TYPE SHELF RAIL LT	NOS	4
41	-	0115703	PART	C-TYPE SHELF RAIL RT	NOS	4
42	1524214	0507080	PART	PNTD STRIP SHELF HR/FWH 77/147GN	NOS	4
43	1601207	1000504	PART	PE BAG FOR MANUAL	NOS	1
44	1604184	1001413	PART	INSTRUCTION MANUAL HRWH/HFWH/HRFWH	NOS	1
45	1515007	0506282	PART	SUS LEG 90 MM	NOS	4

a. EVAPORATOR ASSEMBLY



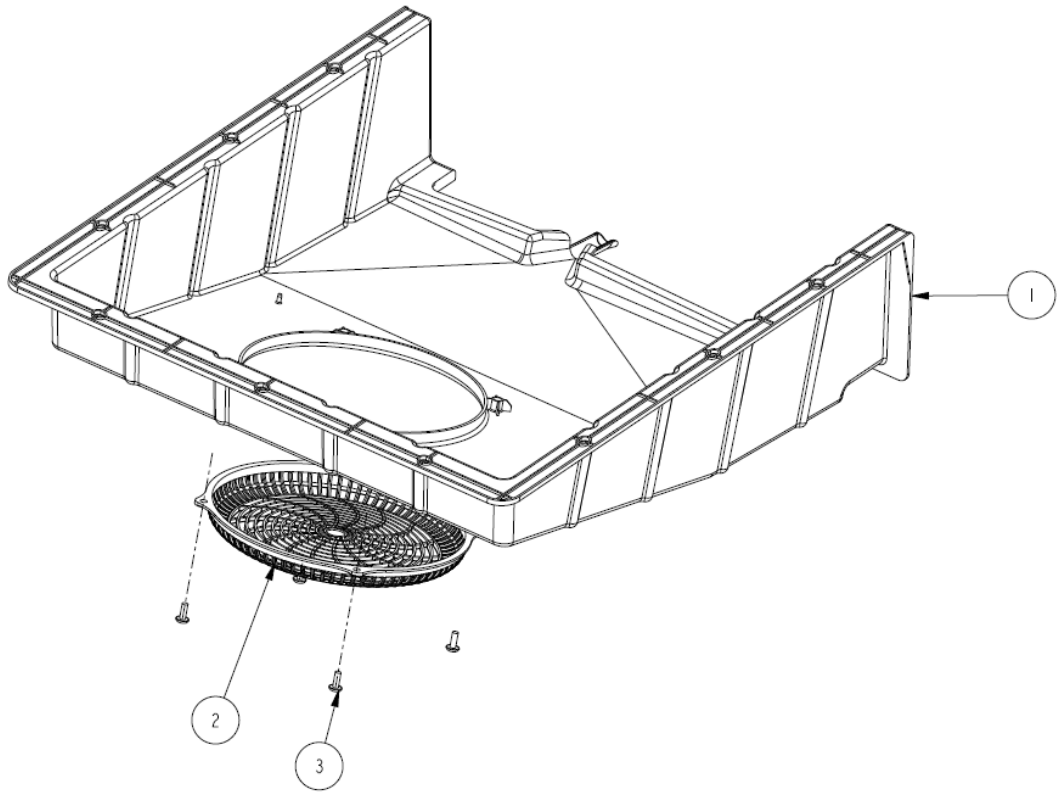
INDEX NO.	PART CODE	DRAWING NO	PART/ ASSEMBLY	DESCRIPTION	UOM	HRWH77LS4-LGGN
1	1129031	0507018	PART	CED EVAP 9.52X2RX5HX380 HRWH77_507018	NOS	1
2	1131477	0121718	PART	COIL BLANKOFF	NOS	1
3	1502189	-	PART	SCREW T4 X 8 (T4) SUS	NOS	4
4	1502641	-	PART	CAPILLARY TUBE ID 0.044" X OD 0.086"	KG	0.124

b. EVAPORATOR MOTOR ASSEMBLY



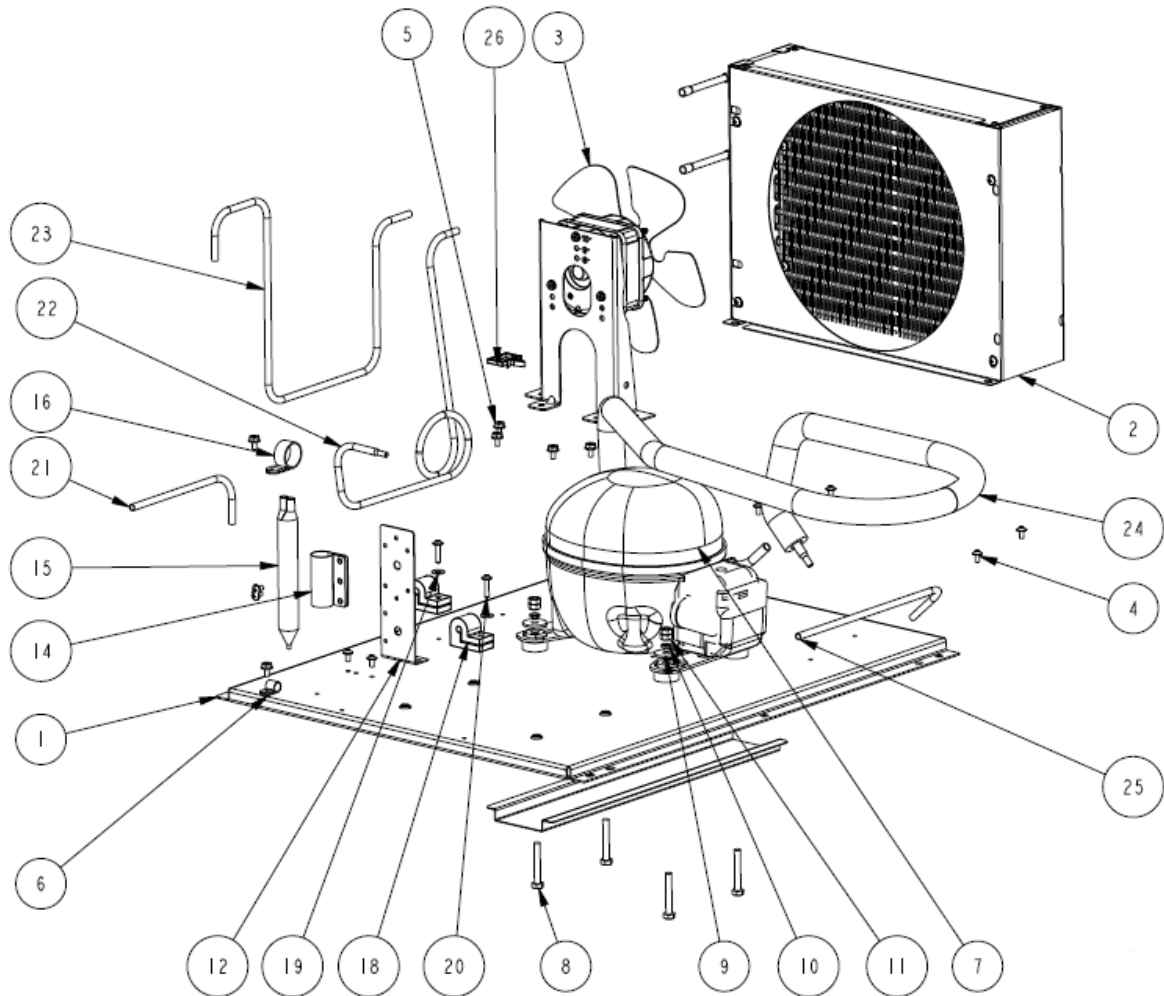
INDEX NO.	PART CODE	DRAWING NO	PART/ ASSEMBLY	DESCRIPTION	UOM	HRWH77LS4-LGGN
1	1119839	0118631	PART	EVAP MOTOR BKT 5W SUS_0118631	NOS	1
2	1507956	-	PART	MOTOR 5W YZF-13/220V/50HZ	NOS	1
3	1116260	-	PART	IMPELLER -WRL 5 X 8" V 28 DEG	NOS	1
4	1502216	-	PART	WASHER W8 SUS	NOS	1
5	1506257	-	PART	SCREW M4 X 12 , HEX HD PHILIPS SLOT SUS	NOS	1
6	1512981	-	PART	SCREW STAR HEX HEAD M4X8 (T2) SUS	NOS	3

c. DEW COLLECTOR ASSEMBLY



INDEX NO.	PART CODE	DRAWING NO	PART/ ASSEMBLY	DESCRIPTION	UOM	HRWH77LS4-LGGN
1	1524171	0201886	PART	DEW COLLECTOR V0 MLD HRW/HFW-77	NOS	1
2	1523567	0201269	PART	EVAP FAN GUARD 8" _ABS GREY_1.5V0	NOS	1
3	1511722	-	PART	M5X14 MM SS304 TH/HD SCREW	NOS	4

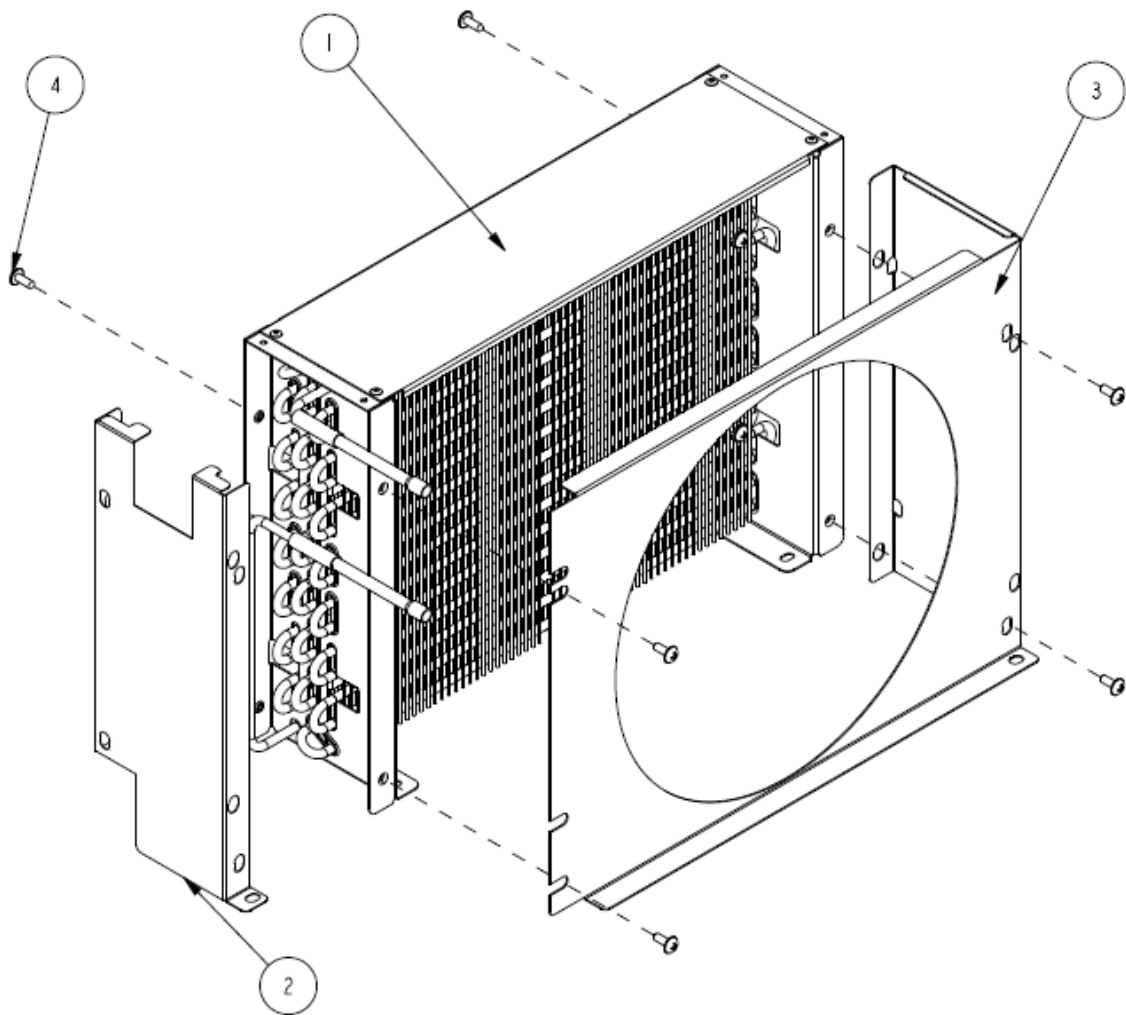
d. CONDENSING UNIT



SR. NO.	PART CODE	DRAWING NO	PART/ ASSEMBLY	DESCRIPTION	UOM	HRWH77LS4-LGGN
1	1131552	0711787	PART	WELDED UNIT FRAME	NOS	1
2	-	0707170	ASSY	MS CONDENSER ASSEMBLY	NOS	1
3	-	0710847	ASSY	CONDENSER FAN MOTOR ASSY LT	NOS	1
4	1508313	-	PART	SCREW T T TRUSSHEAD M4X8 SS	NOS	6
5	1508312	-	PART	SCREW TAPTITE M4X8	NOS	6
6	1504667	-	PART	CORD FIXTURE V SMALL	NOS	1
7	1511736	-	PART	COMPRESSOR EMBRACO EM2X3125U R290	NOS	1
8	1506255	-	PART	HEX SUS BOLT M6X40	NOS	4
9	1502212	-	PART	WASHER FOR COMPRESSOR	NOS	4
10	1502199	-	PART	SPRING WASHER M6	NOS	4
11	1502092	-	PART	NUT M6	NOS	8

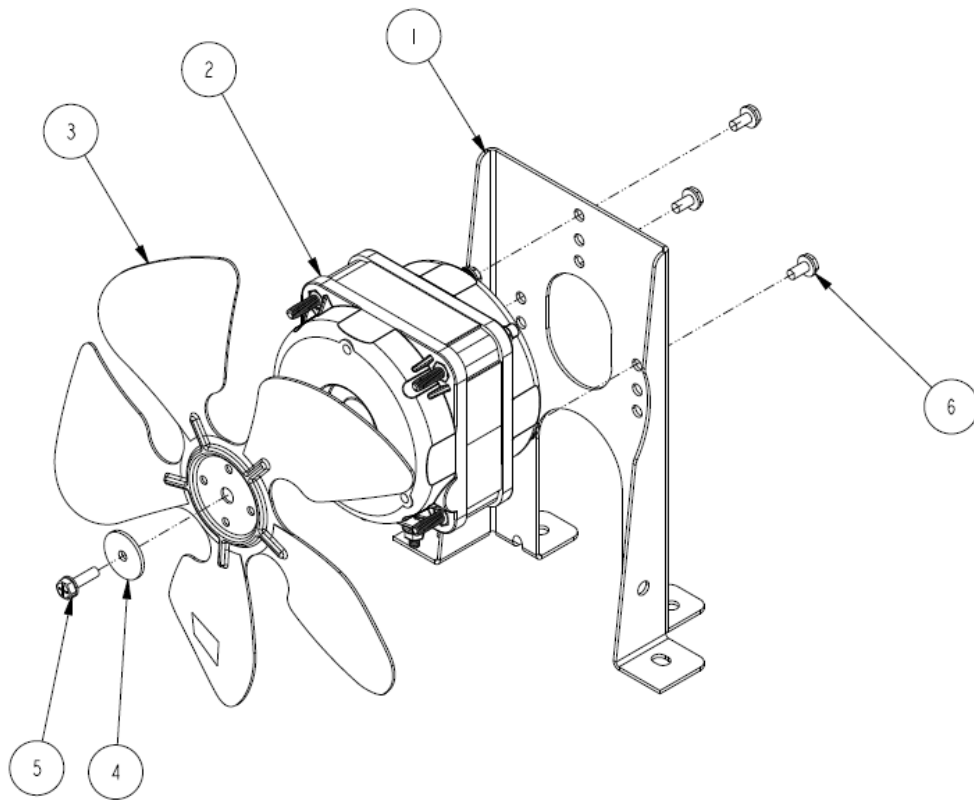
12	1100557	0102107	PART	DRIER MOUNTING STAND	NOS	1
13	1502187	-	PART	SCREW T4 X 8 (T2) MZN	NOS	2
14	1518963	0113981	PART	DRIER FIXING CLAMP	NOS	1
15	1500277	0400098	PART	DRIER 15GM DIA19 L=150	NOS	1
16	1505109	0704210	PART	CORD FIXTURE ADJUSTABLE V SIZE -1 INCH	NOS	1
17	1508874	-	PART	ANTIRODANT COT TUBE Å~7.4 X 10.2 HRFR PP	M	0.6
18	1506586	0200997	PART	VIBRATION RUBBER PAD SILICON RED	NOS	2
19	1502215	-	PART	WASHER W6 SUS	NOS	2
20	1506950	-	PART	SCREW T4 X 20 (T4) MZN	NOS	2
21	-	0401626	PART	DRIER CHARGING PIPE	NOS	1
22	-	0401629	PART	DISCHARGE LINE	NOS	1
23	-	0401630	PART	DRIER INLET PIPE	NOS	1
24	-	0401636	PART	SUCTION PIPE	NOS	1
25	-	0401632	PART	COMPRESSOR CHARGING PIPE	NOS	1
26	1501837	-	PART	KSS WIRE SADDLE	NOS	1
27	1112799	0600907	PART	COMPRESSOR HARNESS	NOS	1

e. CONDENSOR ASSEMBLY



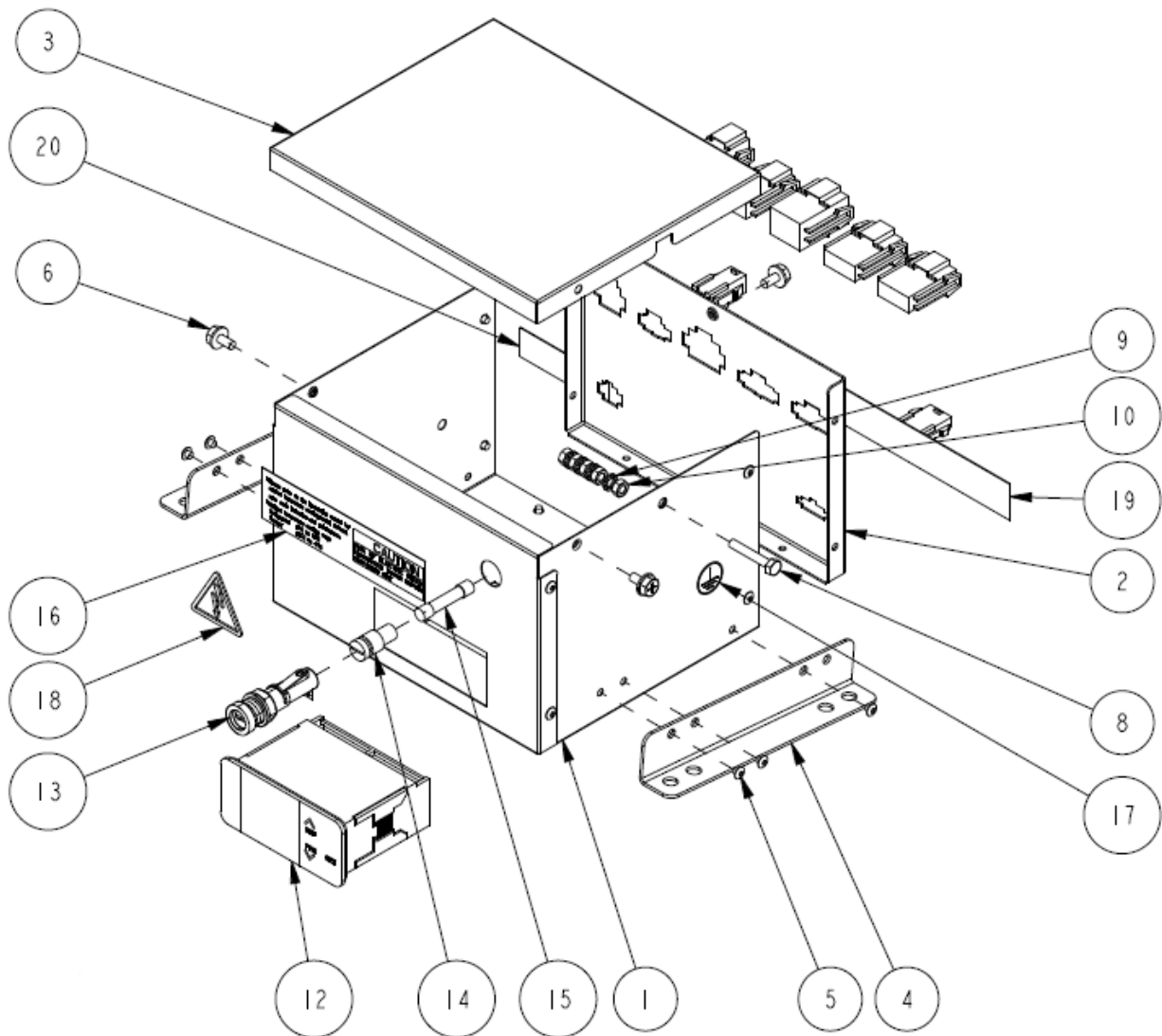
INDEX NO.	PART CODE	DRAWING NO	PART/ ASSEMBLY	DESCRIPTION	UOM	HRWH77LS4-LGGN
1	1118654	0504102	PART	MS CONDENSER	NOS	1
2	1128275	0109089	PART	CONDENSER COVER SIDE	NOS	1
3	1128274	0109088	PART	CONDENSER COVER CENTER	NOS	1
5	1502182	-	PART	SCREW T4 X 12 (T4) MZN	NOS	7

f. CONDENSOR FAN MOTOR ASSEMBLY



INDEX NO.	PART CODE	DRAWING NO	PART/ ASSEMBLY	DESCRIPTION	UOM	HRWH77LS4-LGGN
1	1128060	0108472	PART	CONDENSER MOTOR BRACKET	NOS	1
2	1509963	-	PART	MOTOR10W YZF10-20/220V/50HZ/TP	NOS	1
3	1114886	0300876	PART	IMPELLER-WRL 5 X 9" V 28 DEG	NOS	1
4	-	-	PART	MOTOR WASHER	NOS	1
5	-	-	PART	MOTOR SCREW	NOS	1
6	1512981	-	PART	SCREW STAR HEX HEAD M4X8 (T2) SUS	NOS	3

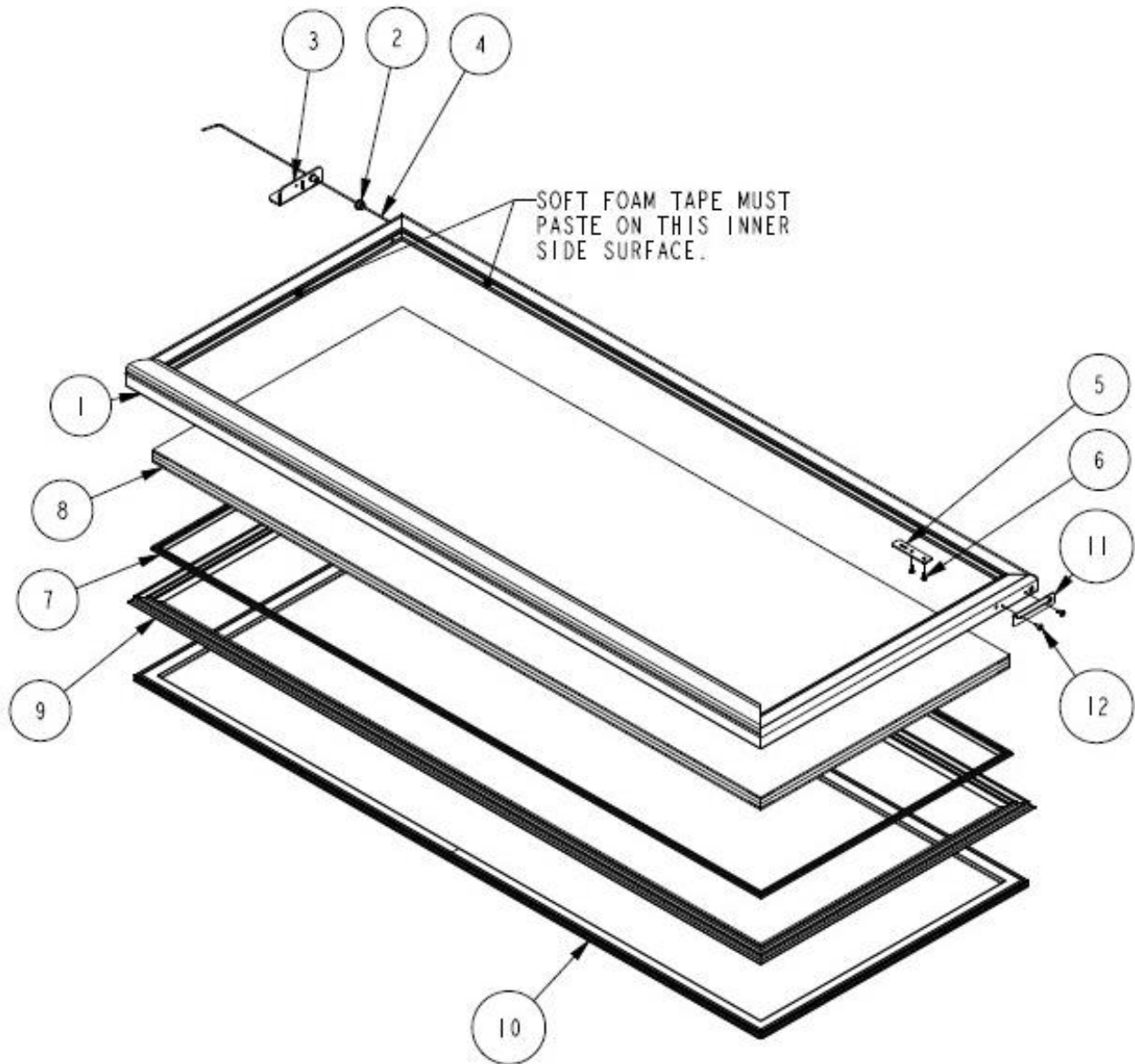
g. POWER BOX ASSEMBLY



INDEX NO.	SAP CODE	DRAWING NO	PART/ ASSEMBLY	DESCRIPTION	UOM	HRWH77LS4-LGGN
1	1131729	0121639	PART	PWR BOX BASE	NOS	1
2	1125556	0120221	PART	POWER BOX BACK PLATE	NOS	1
3	1107293	0116037	PART	POWER BOX COVER	NOS	1
4	1107867	0114475	PART	LEG CONTROL BOX	NOS	2
5	1507963	-	PART	POP RIVIT SS-304 1/8" X 5/16"	NOS	16
6	1508312	-	PART	SCREW TAPTITE M4X8 - 445994-05	NOS	3
7	1132273	0601750	PART	POWER BOX HARNESS	NOS	1
8	1502067	-	PART	BOLT EARTHING M4X25-BRASS	NOS	1
9	1502213	-	PART	WASHER M4 EARTHING(GROOVED) - BRASS	NOS	1
10	1502088	-	PART	NUT M4 EARTHING - BRASS	NOS	6

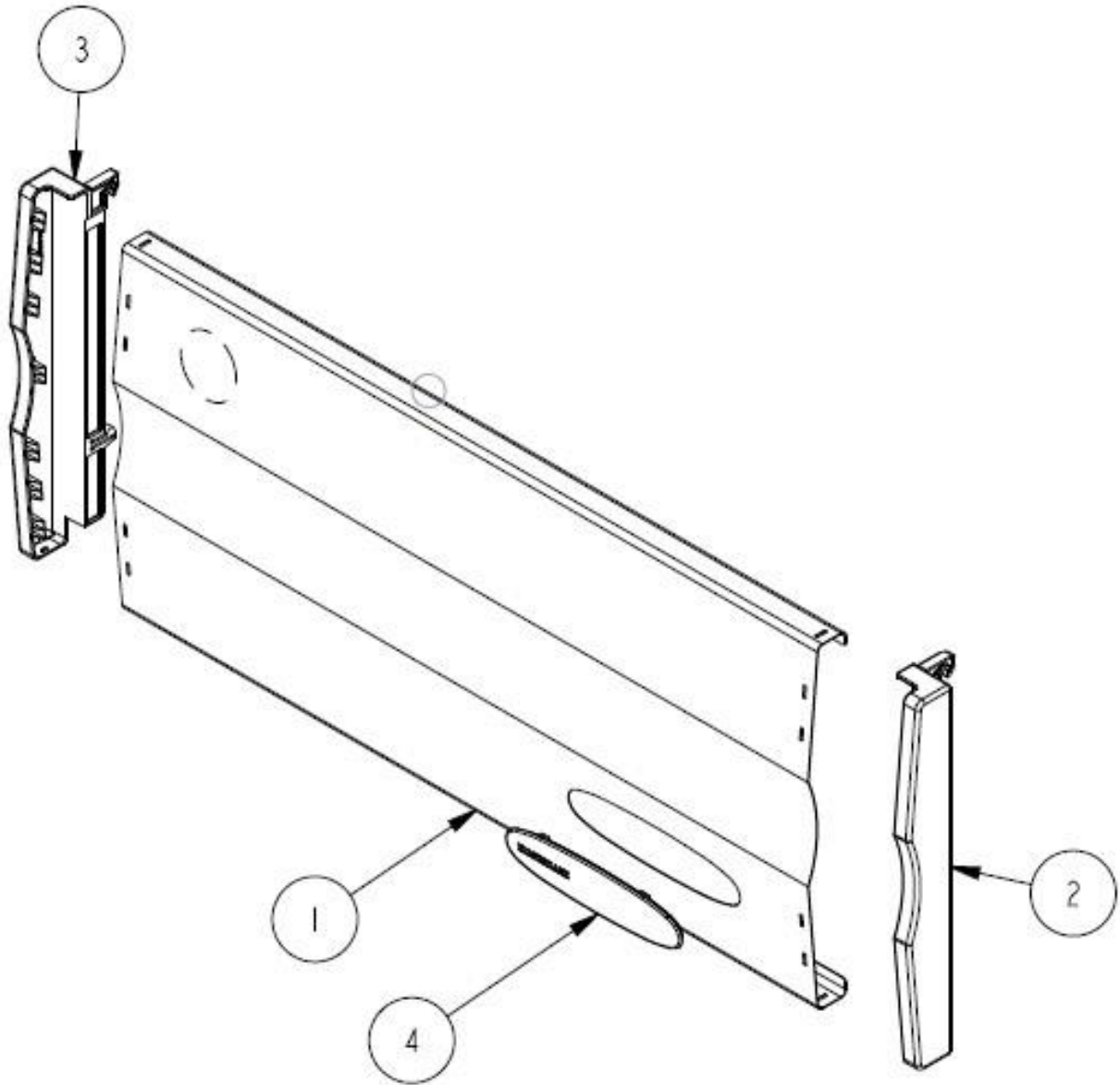
11	1121108	0601322	PART	SENSOR CONNECTING HARNESS	NOS	1
12	1517760	-	PART	TEMPERATURE CONTROLLER WR-87285, 8A_PVR	NOS	1
13	1510504	-	PART	FUSE SOCKET	NOS	1
14	1510505	-	PART	FUSE CARRIER	NOS	1
15	1510503	-	PART	FUSE	NOS	1
16	1602339	0505849	PART	SUS CONTROL BOX CAUTION STICKER	NOS	1
17	1510404	0502251	PART	CAUTION STICKER EARTHING	NOS	1
18	1510405	0502436	PART	CAUTION STICKER HIGH VOLTAGE	NOS	1
19	1603386	1001203	PART	SUS CONNECTOR LABEL	NOS	1
20	1508661	0505080	PART	SUS SENSOR LABEL	NOS	1

h. LONG GLASS DOOR ASSEMBLY RT



INDEX NO.	SAP CODE	DRAWING NO	PART/ ASSEMBLY	DESCRIPTION	UOM	HRWH77LS4-LGGN
1	1117821	0703894	ASSY	DOOR FRAME ASSY RT	NOS	1
2	1509884	0505312	PART	DOOR TOP HINGE BUSH BRASS	NOS	1
3	1516318	0506210	PART	TOP HINGE ASSY RT	NOS	1
4	1512731	0505285	PART	TORSION ROD	NOS	1
5	1509889	0114949	PART	TORSION ROD BRACKET	NOS	1
6	1502172	-	PART	SCREW SD4 X 12 MZN	NOS	2
7	1501841	0200890	PART	PVC RUBBER RIB COMMON	M	4.2
8	1516313	0506114	PART	DG2L2T 1461X599X2 HRWH77-LG	NOS	1
9	1125782	0201824	PART	DOOR PACKING PVC PROFILE 26MM	SET	1
10	1516315	0201825	PART	DOOR GASKET BB 1496X634 HRW77-LG	NOS	1
11	1113430	0116296	PART	DOOR SUPPORT BOTTOM PLATE RT	NOS	1
12	1502182	-	PART	SCREW T4 X 12 (T4) MZN	NOS	2

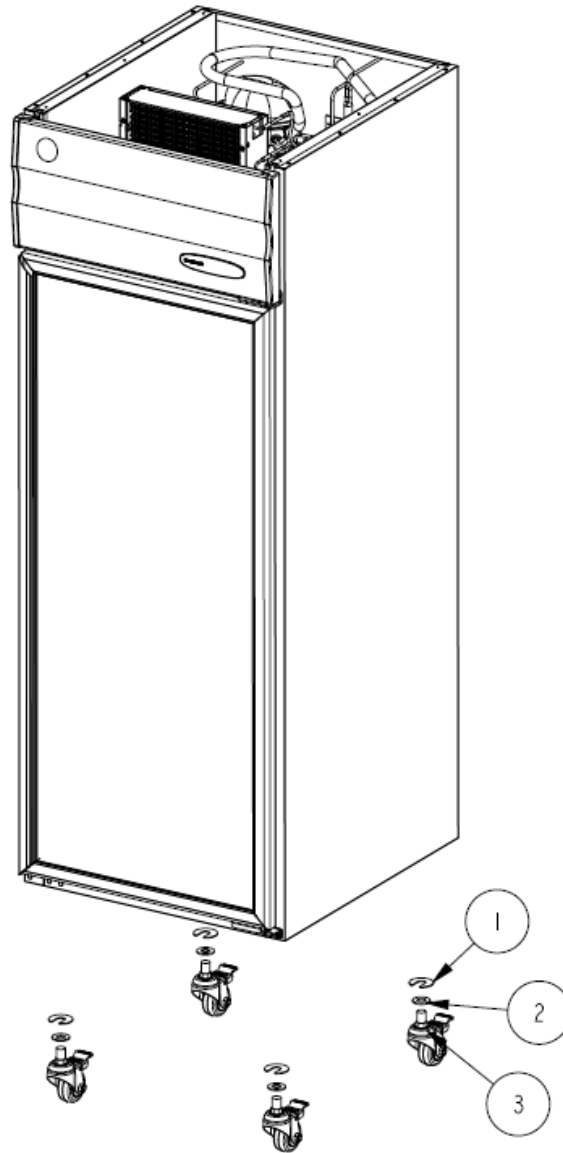
i. CANOPY ASSEMBLY HRWH77



INDEX NO.	PART CODE	DRAWING NO	PART/ ASSEMBLY	DESCRIPTION	UOM	HRWH77LS4-LGGN
1	1107302	0119494	PART	FRONT CANOPY PANEL	NOS	1
2	1517042	0202001	PART	CANOPY SIDE COVER - R	NOS	1
3	1517043	0202002	PART	CANOPY SIDE COVER - L	NOS	1
4	1508081	0201743	PART	WINDOW PANEL	NOS	1

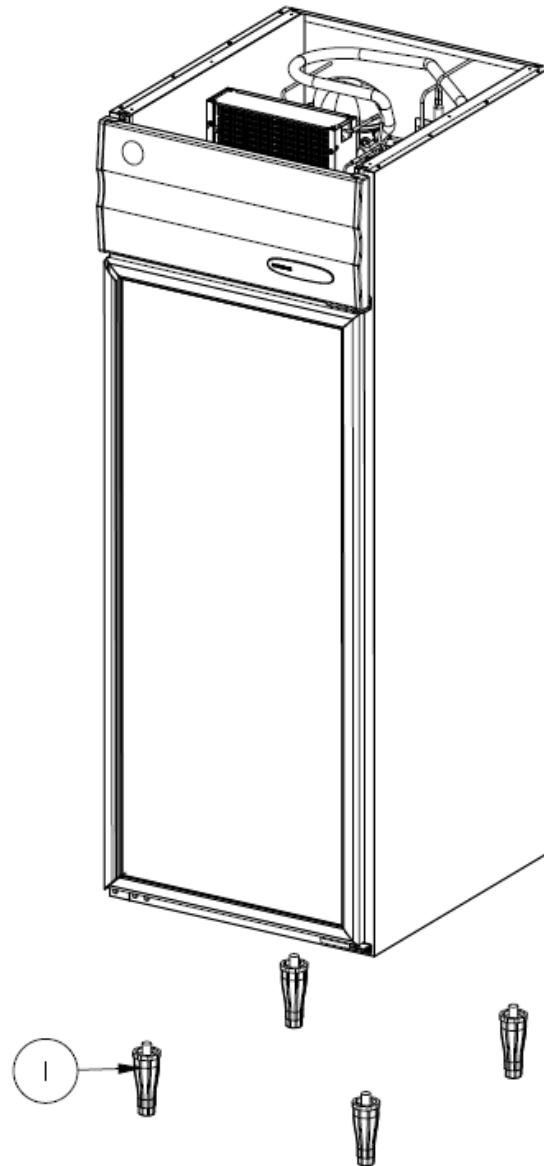
C. OPTIONS

a. CASTOR OPTION



INDEX NO.	PART CODE	DRAWING NO	PART/ ASSEMBLY	DESCRIPTION	UOM	HRWH77LS4-LGGN
1	1512663	-	PART	SUS-CASTOR SPACER	NOS	4
2	1512662	-	PART	SUS-PLAIN WASHER	NOS	4
3	1512660	-	PART	SUS-CASTOR	NOS	4

b. LEG OPTION



INDEX NO.	PART CODE	DRAWING NO	PART/ ASSEMBLY	DESCRIPTION	UOM	HRWH77LS4-LGGN
1	1508307	-	PART	SUS LEG 150MM	NOS	4

D. REVISION DETAILS:

REVISION	REVISION DETAIL	DATE