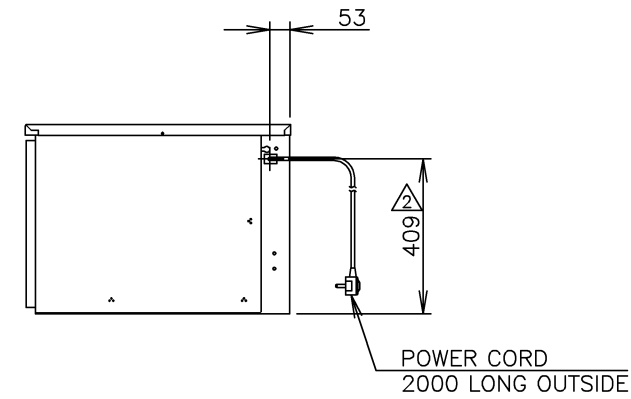
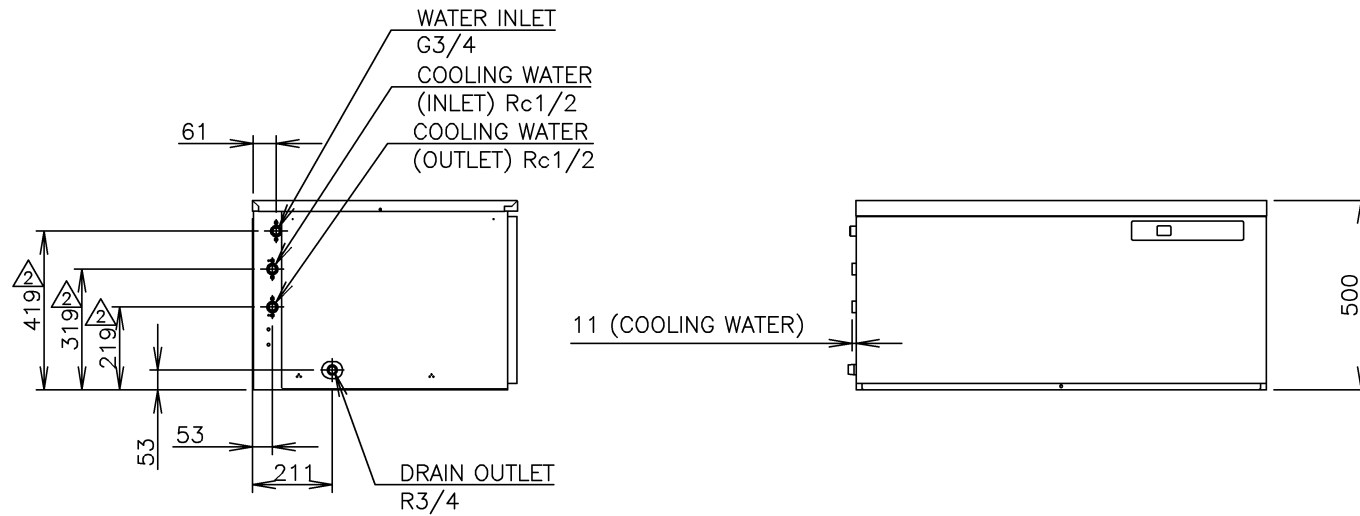
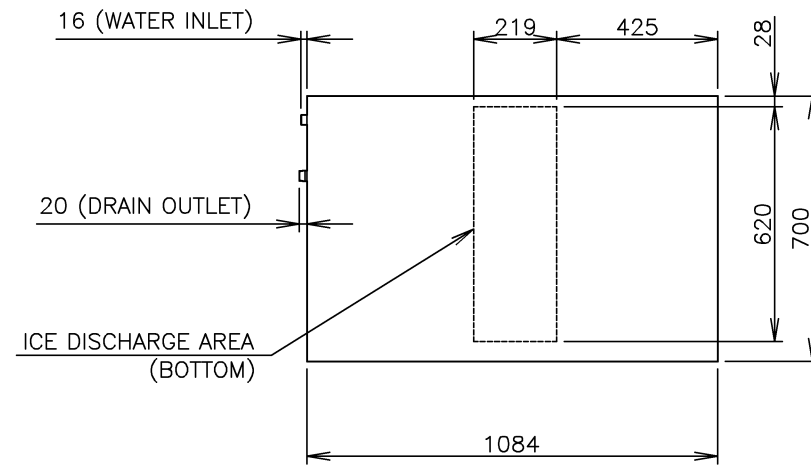


1. Install the ice maker properly in accordance with the instructions on location, water supply/drain connections and electrical connections stated in the instruction and installation manuals provided. Allow 10mm extra space at the installation site to meet any installation requirements (additional spacing is also required for proper air flow and pipe connections).
2. The ice production depends on the ambient and water temperatures. Refer to the instruction manual.
3. Values for ice making water only. Use a cooling tower for cooling water.
4. Product Code: E1CL-D001 (Auxiliary code: B-1 and later)



ITEM	Hoshizaki Ice Maker
MODEL	IM-240DWNE-C
POWER SUPPLY	1 PHASE 220-240V 50Hz Capacity: Min. 2.3kVA (9.6A)
AMPERAGE	Running: 6.3A Rated Motor: 6.3A Starting: 35A
ELECTRIC CONSUMPTION	Rated Motor: 1300W (Power factor: 85%)
ICE PRODUCTION PER 24h	Approx. 200 (10mm) / 235 (20mm) kg (Ambient Temp.10° C, Water Temp.10° C) Approx. 190 (10mm) / 200 (20mm) kg (Ambient Temp.21° C, Water Temp.15° C) Approx. 180 (10mm) / 190 (20mm) kg (Ambient Temp.32° C, Water Temp.21° C)
WATER CONSUMPTION PER 24h	Approx. 0.63m ³ (Ambient Temp.10° C, Water Temp.10° C) Approx. 0.31m ³ (Ambient Temp.21° C, Water Temp.15° C) Approx. 0.30m ³ (Ambient Temp.32° C, Water Temp.21° C)
SHAPE OF ICE	Cylinder Approx. φ 37 x H45mm
FREEZE CYCLE TIME	Approx. 25min (10mm) (Ambient Temp.21° C, Water Temp.15° C)
ICE PRODUCTION PER CYCLE	Approx. 3.3kg/72pcs. (10mm) (Ambient Temp.21° C, Water Temp.15° C)
OUTSIDE DIMENSIONS	1084mm(W) x 700mm(D) x 500mm(H)
EXTERIOR	Stainless Steel
INSULATION	Polyurethane Foam
INSULATION FOAM BLOWING AGENT	Water Blown
CONNECTIONS-ELECTRIC	X-Type Con. (with CONT. Plug)
CONNECTIONS-WATER SUPPLY	Inlet G3/4 (connected at left side)
CONNECTIONS-DRAIN	Outlet R3/4 (connected at left side)
CONNECTIONS-COOLING WATER	Inlet Rc1/2 (connected at left side) Outlet Rc1/2 (connected at left side)
ICE MAKING SYSTEM	Cell type
HARVESTING SYSTEM	Hot Gas Defrost
COMPRESSOR	Hermetic
CONDENSER	Tube in Tube type, Water-Cooled
HEAT REJECTION	2850W (2450kcal/h) (Ambient Temp.32° C, Water Temp.21° C)
EVAPORATOR	Tin-plated Copper Tube on Sheet and Cells
REFRIGERANT CONTROL	Thermostatic Expansion Valve
REFRIGERANT CHARGE	R404A/450g
ICE MAKING CONTROL	Thermistor, Timer
HARVESTING CONTROL	Thermistor
BIN CONTROL	Microswitch (with Time Delay)
ICE MAKING WATER CONTROL	Timer, Water Pan's movement
ELECTRICAL PROTECTION	Class I Appliance, 5A Fuse
COMPRESSOR PROTECTION	Auto-reset Overload Protector
ICE MAKER PROTECTION	Interlock by Controller Board
WEIGHT	88kg(Gross 100kg)
PACKAGE	Carton 1196mm(W) x 825mm(D) x 640mm(H)
ACCESSORIES	Scoop, Installation Kit, Brace
OPERATING CONDITIONS	Ambient Temp.: 1 - 40° C, Water Supply Temp.: 5-35° C Water Supply Pressure: 0.07-0.8MPa (0.7-8bar) Voltage Range: Rated Voltage±6%

*We reserve the right to make changes in specifications and design without prior notice.

HOSHIZAKI ICE MAKER IM-240DWNE-C

APPROVED M.NOTSU	CHECKED MIYAZAKI	DESIGNED MIYAZAKI	DRAWN NISHIKOORI	SCALE 1/20	TRIGONOMETRY
TORIHATA	TOMOTSUKA	2014.11.26	DATE 2010.05.10	DRAWING NO. D06704	SYMBOL 2
APPROVED	DESIGNED	SYMBOL	DATE		