



SELF-CONTAINED/MODULAR CUBER
MACHINE A GLACONS CUBIQUES MODULAIRE/AUTONOME
STECKERFERTIGER/MODULARER WÜRFELEISBEREITER
IJSBLOKJESMACHINE MET INGEBOUWDE/LOSSE OPSLAGBUNKER
MÁQUINA FABRICADORA DE HIELO MODULAR/INTEGRADA
FABBRICATORE CUBETTI DI GHIACCIO MODULARE/A RISERVA
INCORPORATA

INSTRUCTION MANUAL

(original instructions)

NOTICE D'UTILISATION

(instructions traduites)

BEDIENUNGSANLEITUNG

(Übersetzung)

GEBRUIKSAANWIJZING

(vertaalde instructies)

MANUAL DE INSTRUCCIONES

(instrucciones traducidas)

MANUALE D'ISTRUZIONI

(traduzione)

IM-21CPE
IM-30CPE
IM-30CWPE
IM-45CPE
IM-45PE
IM-45WPE
IM-65PE
IM-65WPE
IM-100PE
IM-130CPE
IM-130PE
IM-130WPE
IM-130APE
IM-240PE
IM-240WPE
IM-240APE
IM-240AWPE
IM-240DPE
IM-240DWPE
IM-240XPE
IM-240XWPE

HOSHIZAKI EUROPE LIMITED

Telford 70 Stafford Park 7, Telford, Shropshire TF3 3BQ UK

L1M113204 (043025)

ENGLISH	IMPORTANT SAFETY INFORMATION	1
	I. INSTALLATION INSTRUCTIONS	3
	1. CONSTRUCTION	3
	2. ACCESSORIES	3
	3. UNPACKING	5
	4. LOCATION	6
	5. INSTALLATION	7
	6. ELECTRICAL CONNECTIONS	9
	7. WATER SUPPLY AND DRAIN CONNECTIONS	10
	II. OPERATING INSTRUCTIONS	13
	1. START UP	13
	2. CONTROLS	13
	3. PREPARING THE ICEMAKER FOR LONG STORAGE	14
	III. MAINTENANCE	14
	1. CLEANING	14
	2. BEFORE CALLING FOR SERVICE	16
	3. DISPOSAL	16
	4. WARRANTY	16
FRANCAIS	INFORMATIONS DE SECURITE IMPORTANTES	18
	I. CONSIGNES D'INSTALLATION	20
	1. CONSTRUCTION	20
	2. ACCESSOIRES	20
	3. DEBALLAGE	22
	4. EMBLACEMENT	23
	5. INSTALLATION	24
	6. BRANCHEMENTS ELECTRIQUES	26
	7. BRANCHEMENTS D'ARRIVEE ET DE VIDANGE D'EAU	27
	II. CONSIGNES D'UTILISATION	30
	1. MISE EN MARCHÉ	30
	2. CONTRÔLES	30
	3. PREPARATION DU DISTRIBUTEUR DE GLACE EN VUE D'UN ENTREPOSAGE DE LONGUE DUREE	31
	III. MAINTENANCE	31
	1. NETTOYAGE	31
	2. AVANT D'APPELER UN REPARATEUR	33
	3. MISE AU REBUT	33
	4. GARANTIE	33
DEUTSCH	WICHTIGE SICHERHEITSHINWEISE	35
	I. INSTALLATIONSANLEITUNG	37
	1. KONSTRUKTION	37
	2. ZUBEHÖR	37
	3. AUSPACKEN	39
	4. AUFSTELLUNGSSORT	40
	5. INSTALLATION	41
	6. ELEKTRISCHE ANSCHLÜSSE	43
	7. WASSERZULAUF- UND WASSERABFLUSSANSCHLÜSSE	44
	II. BEDIENUNGSANLEITUNG	47
	1. INBETRIEBNAHME	47
	2. STEUERUNG	47
	3. MASSNAHMEN FÜR DIE LANGFRISTIGE LAGERUNG DES EISBEREITERS	48
	III. WARTUNG	48
	1. REINIGUNG	48
	2. VOR ANRUF DES KUNDENDIENSTES	50
	3. ENTSORGUNG	50
	4. GARANTIE	50

NEDERLANDS	BELANGRIJKE VEILIGHEIDSINFORMATIE	52
	I. INSTALLATIE-INSTRUCTIES	54
	1. CONSTRUCTIE	54
	2. ACCESSOIRES	54
	3. UITPAKKEN	56
	4. LOCATIE	57
	5. INSTALLATIE	58
	6. ELEKTRISCHE AANSLUITINGEN	60
	7. AANSLUITING VAN WATERTOEOVOER- EN WATERAFVOERLEIDINGEN	61
	II. BEDIENINGSINSTRUCTIES	64
	1. OPSTARTEN	64
	2. CONTROLES	64
	3. DE IJSMAKER GEREEDMAKEN VOOR LANGDURIGE OPSLAG	65
	III. ONDERHOUD	65
	1. REINIGING	65
	2. VOORDAT U BELT VOOR SERVICE	67
	3. VERWIJDERING	67
	4. GARANTIE	67
ESPAÑOL	INFORMACIÓN IMPORTANTE DE SEGURIDAD	69
	I. INSTRUCCIONES DE INSTALACIÓN	71
	1. ESTRUCTURA	71
	2. ACCESORIOS	71
	3. DESEMBALAJE	73
	4. UBICACIÓN	74
	5. INSTALACIÓN	75
	6. CONEXIONES ELÉCTRICAS	77
	7. SUMINISTRO DE AGUA Y CONEXIONES DE DRENAJE	78
	II. INSTRUCCIONES DE FUNCIONAMIENTO	81
	1. PUESTA EN MARCHA	81
	2. CONTROLES	81
	3. PREPARACIÓN DE LA MÁQUINA DE HIELO PARA UN ALMACENAMIENTO PROLONGADO	82
	III. MANTENIMIENTO	82
	1. LIMPIEZA	82
	2. ANTES DE LLAMAR AL SERVICIO TÉCNICO	84
	3. ELIMINACIÓN	84
	4. GARANTÍA	84
ITALIANO	INFORMAZIONI IMPORTANTI SULLA SICUREZZA	86
	I. ISTRUZIONI PER L'INSTALLAZIONE	88
	1. COMPONENTI	88
	2. ACCESSORI	88
	3. DISIMBALLAGGIO	90
	4. UBICAZIONE	91
	5. INSTALLAZIONE	92
	6. COLLEGAMENTI ELETTRICI	94
	7. COLLEGAMENTO ALL'APPROVVIGIONAMENTO DELL'ACQUA E COLLEGAMENTO DI SCARICO	95
	II. ISTRUZIONI PER L'USO	98
	1. AVVIO	98
	2. CONTROLLI	98
	3. PREPARATIVI PER LA CONSERVAZIONE A LUNGO TERMINE DELLA MACCHINA	99
	III. MANUTENZIONE	99
	1. PULIZIA	99
	2. PRIMA DI RIVOLGERSI ALL'ASSISTENZA	101
	3. SMALTIMENTO	101
	4. GARANZIA	101

IMPORTANT SAFETY INFORMATION

Throughout this manual, notices appear to bring your attention to situations which could result in death, serious injury, or damage to the unit.

▲WARNING	Indicates a hazardous situation which, if not avoided, could result in death or serious injury.
▲CAUTION	Indicates a hazardous situation which, if not avoided, could result in minor or moderate injury.
NOTICE	Indicates a hazardous situation which, if not avoided, could result in damage to the unit.
▲HYGIENE	Indicates important precautions for hygiene and food safety.
IMPORTANT	Indicates important information about the use and care of the unit.

This icemaker uses HFC-free refrigerant (propane) that is a non-ozone-depleting and environmentally sustainable material having very low global warming potential.

▲WARNING	
This icemaker contains flammable refrigerant in its cooling unit; installation, handling, servicing and disposal must therefore only be carried out by authorized technicians.	
The refrigerant contained in this icemaker is flammable and sealed in the refrigeration system. Although the refrigerant does not leak out under normal usage, take utmost care when handling this icemaker so as not to cause any damages to the system.	
In the case of accidental damage to the refrigeration system causing refrigerant leak:	
<ul style="list-style-type: none"> * Do not create a source of ignition in the area. * Do not operate electrical switches or plugs in the area. * Do not use naked flame. * Immediately ventilate the area by opening doors and/or windows. * Call service engineer. 	

IMPORTANT	
This booklet is an integral and essential part of the product and should be kept and preserved by the user.	
Please read carefully the guidelines and warnings contained herein as they are intended to provide the installer/user with essential information for the proper installation and the continued safe use and maintenance of the product.	
Please preserve this booklet for any further consultation that may be necessary.	
These products are IP20 rated.	

⚠WARNING

This is a commercial icemaker, and should be destined only to be used for the purpose for which it has been expressly designed.

Any other use should be considered improper and therefore dangerous. The manufacturer will not be held liable or responsible for any damage caused by improper, incorrect and unreasonable use.

The installation, and relocation if necessary, must be carried out by qualified personnel, in accordance with current regulations, according to the manufacturer's instructions.

Keep ventilation openings, in the appliance enclosure or in the built-in structure, clear of obstruction.

Do not use mechanical devices or other means to accelerate the defrosting process, other than those recommended by the manufacturer.

The use of any electrical appliance involves the observance of some fundamental rules. In particular:

- * Instances of high humidity and moisture increase the risk of electrical short circuits and potential electrical shocks. If in doubt, disconnect the icemaker.
- * Do not damage the power cord or pull it in order to disconnect the icemaker from the electrical supply network.
- * If the supply cord and/or the plug should need to be replaced, it should only be done by a qualified service engineer.
- * Do not touch the electrical parts or operate the switches with damp hands.
- * This appliance is not intended for use by persons (including children) with reduced physical, sensory or mental capabilities, or lack of experience and knowledge, it can however be used by children aged from 8 years and above and persons with reduced physical, sensory or mental capabilities, or lack of experience and knowledge providing they have been given supervision or instruction concerning use of the appliance by a person responsible for their safety.
- * Children shall not play with the appliance.
- * Cleaning and user maintenance shall not be made by children without supervision.
- * Do not attempt to modify the icemaker. Only qualified personnel may disassemble or repair the appliance.

When positioning the appliance, ensure the supply cord is not trapped or damaged.

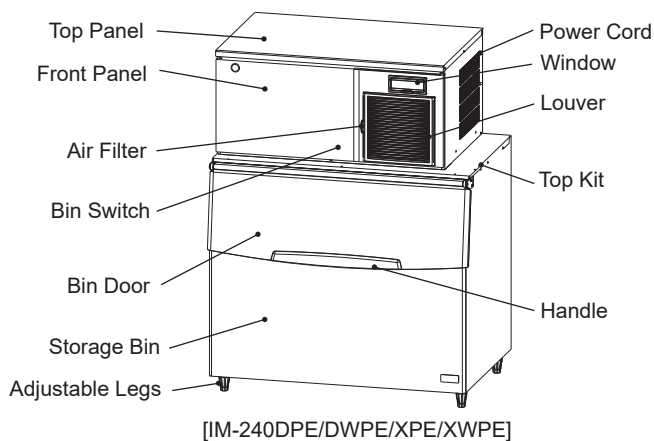
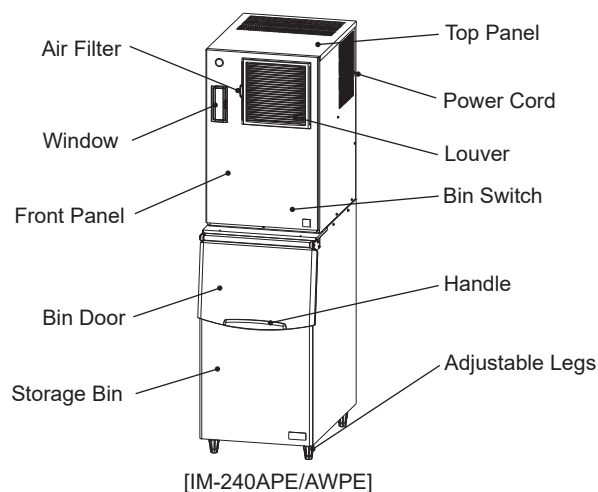
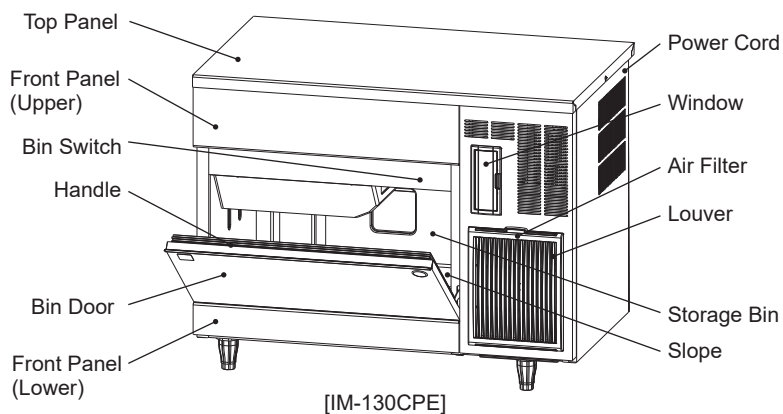
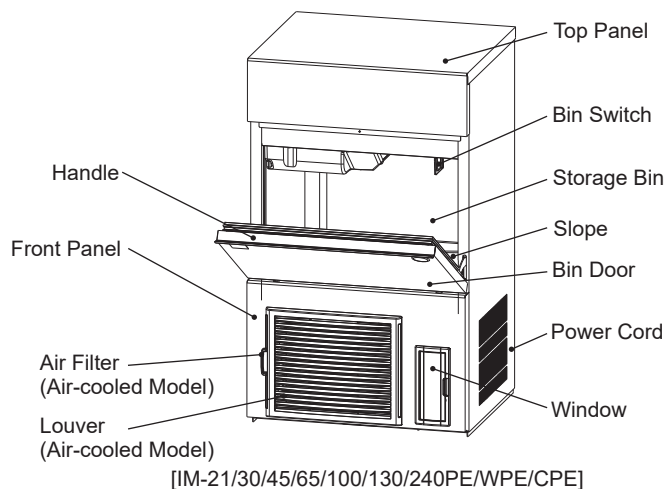
Do not locate multiple portable socket-outlets or portable power supplies at the rear of the appliance.



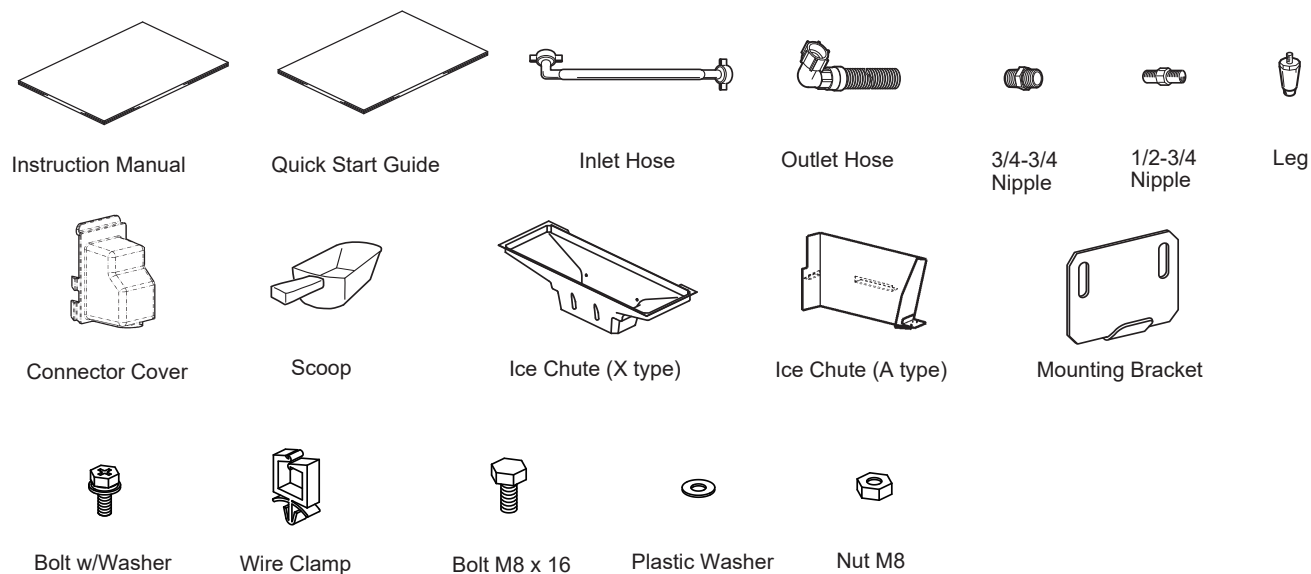
The meaning of this ISO 7010 W021 symbol is:
Warning: Risk of fire / flammable materials

I. INSTALLATION INSTRUCTIONS

1. CONSTRUCTION



2. ACCESSORIES



ENGLISH

The presence of UVC and drain pump components varies by model; they may be preinstalled or omitted depending on the specific configuration.

* Qty.1 Hose clamp included in all drain pump models, IM-21CPE does not include legs. Compatibility kits are sold separately.

[a] Self-Contained Models

	IM-21/30/45CPE, IM-45/65/100/130/240PE	IM-30CWPE, IM-45/65/100/130/240WPE	IM-130CPE
Instruction Manual	1	1	1
Quick Start Guide	1	1	1
Inlet Hose	1	3	1
Outlet Hose	1	1	1
3/4-3/4 Nipple	-	-	1
1/2-3/4 Nipple	-	2	-
Leg	4	4	5
Connector Cover	1	1	1
Scoop	1	1	1

[b] Modular Models

	IM-130/240APE	IM-240AWPE	IM-240DPE	IM-240DWPE	IM-240XPE	IM-240XWPE
Instruction Manual	1	1	1	1	1	1
Quick Start Guide	1	1	1	1	1	1
Inlet Hose	1	3	1	3	1	3
Outlet Hose	1	1	1	1	1	1
1/2-3/4 Nipple	-	2	-	2	-	2
Connector Cover	1	1	1	1	1	1
Ice Chute	1	1	-	-	1	1
Mounting Bracket	2	2	2	2	2	2
Bolt w/Washer M5x12	2	2	2	2	-	-
Bolt w/Washer M4x10	-	-	-	-	4	4
Wire Clamp	-	-	-	-	2	2
Bolt M8x16	-	-	2	2	2	2
Plastic Washer	-	-	2	2	4	4
Nut M8	-	-	2	2	2	2

* Drain pump and UVC features can be installed as optional kits. Please contact your dealer/supplier, or the nearest Hoshizaki Service office for details.

3. UNPACKING

⚠ WARNING

Children should not be allowed in reach of the packaging elements (plastic bags and expanded polystyrene) as they are potential sources of danger.

⚠ CAUTION

Do not lift or manoeuvre the carton by using the shipping bands.

When moving the unit by hand, hold the unit bottom.

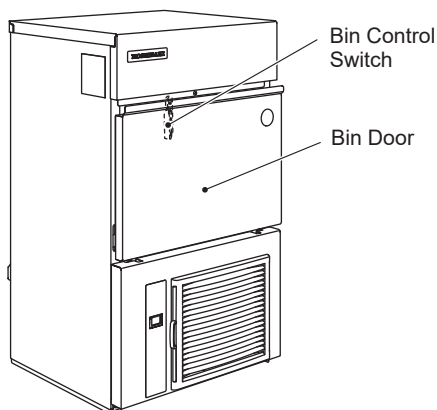
Always wear protective gloves when carrying the unit.

When handling the carton or the unpacked unit, work in pairs to prevent injury.

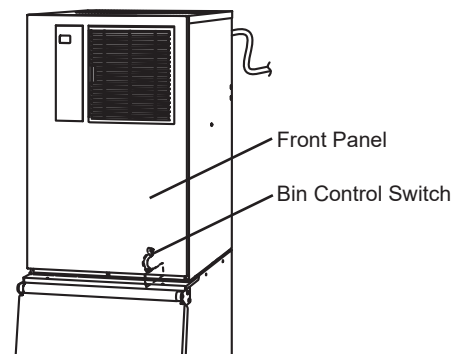
NOTICE

Remove shipping carton, tape(s) and packing. If packing material is left in the icemaker, it will not work properly.

- 1) Remove the external packaging.
- 2) After removing the packaging, make sure that the icemaker is in good condition. If in doubt, please do not use the icemaker but apply to professionally qualified personnel.
- 3) Remove the shipping tape holding the door and front panel louver.
- 4) Remove the protective plastic film from the exterior. If the icemaker is exposed to the sun or to heat, remove the film after the icemaker cools.
- 5) Remove the package of accessories. Check the contents according to "2. ACCESSORIES".
- 6) Remove the shipping tape holding the bin control switch.
 - a. Self-contained models: by opening the bin door and reaching in.
 - b. Modular models: by opening the front panel and removing bin control from drain pan.



Self-Contained Models
[IM-21/30/45/65/100/130/240PE/WPE/CPE]



Modular Models
[IM-130/240APE/AWPE/DPE/DWPE]

Note: Modular models need a storage bin, Hoshizaki recommends the following:

- a. A type (IM-130/240APE/AWPE): B-140SA
- b. D/X type (IM-240DPE/DWPE/XPE/XWPE): B-340SA

ENGLISH

4. LOCATION

⚠ WARNING

This icemaker is not intended for outdoor use.

The icemaker should not be located next to ovens, grills or other high heat producing equipment.

This appliance is not suitable for installation in an area where a water jet could be used.

⚠ CAUTION

The location should provide a firm and level foundation for the icemaker.

NOTICE

Do not place anything on top of the icemaker or in front of the louver.

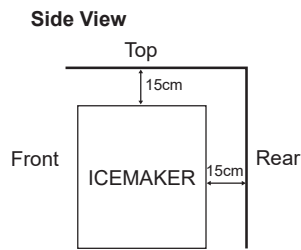
IMPORTANT

Normal operating ambient temperature should be within 1°C to 40°C. Water connection is cold water only. Operation of the icemaker, for extended periods, outside of these normal temperature ranges may affect production capacity.

Climatic Class 5: This appliance electrical safety tested for operation in maximum ambient temperature of 43°C with 40% relative humidity. However, normal operating ambient temperature must be within 7°C to 38°C.

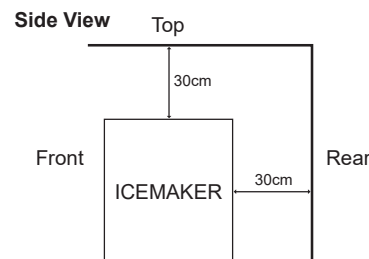
Allow the clearance specified below for proper air circulation and ease of maintenance and/or service should they be required.

[IM-21/30CPE/CWPE, IM-45CPE]



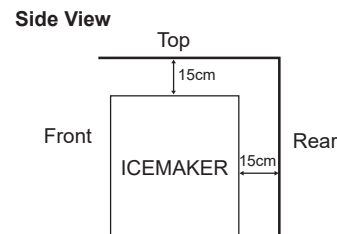
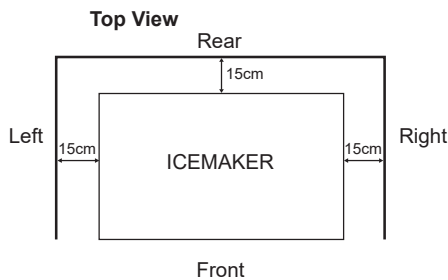
* No clearance required on sides

[IM-240PE/WPE/APE/AWPE]

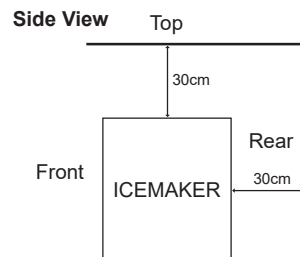
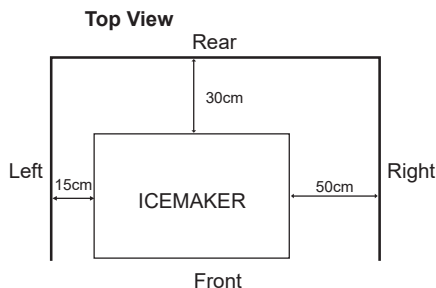


* 5cm clearance required on sides

[IM-45/65/100/130PE/WPE, IM-130CPE]



[IM-240DPE/DWPE, IM-240XPE/XWPE]



In some high humidity environments, condensation may form inside the machine and drip onto the floor. Do not install where the floor can be affected by water.

Avoid prolonged exposure of the appliance to direct sunlight.

5. INSTALLATION

⚠ CAUTION

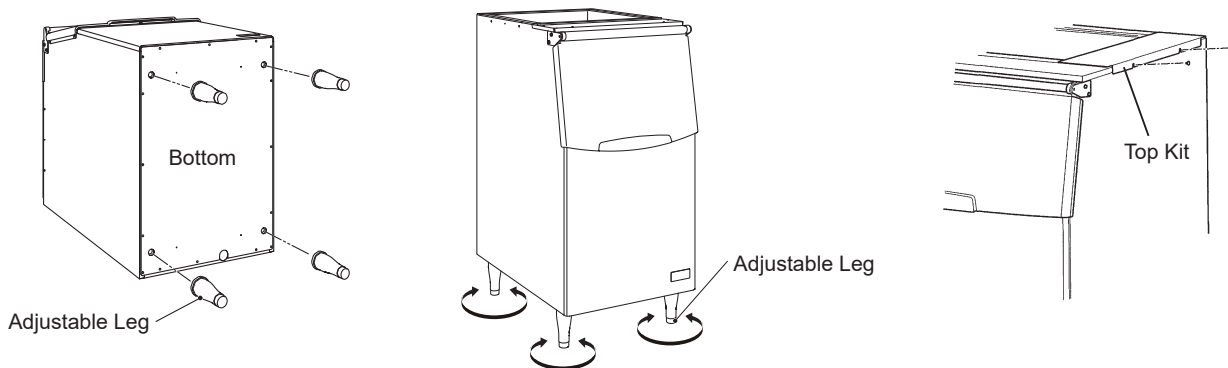
Incorrect installation can cause harm to people, animals or other items, for which the manufacturer cannot be held responsible.

[a] Self-Contained Model

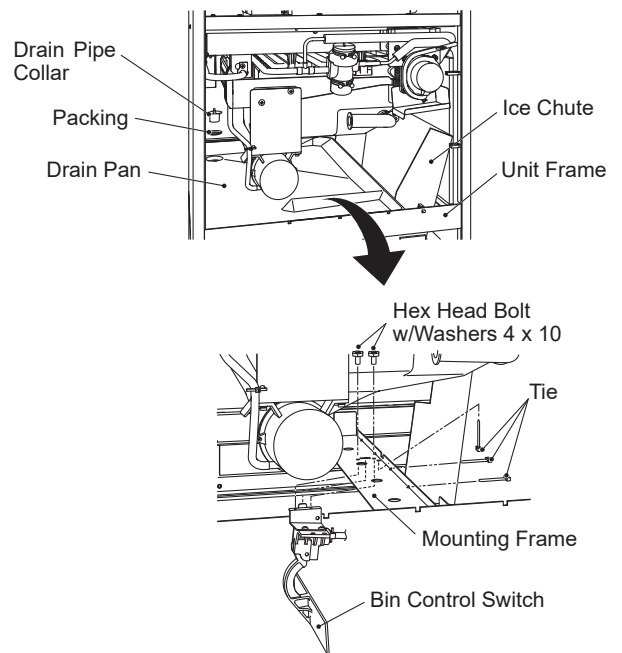
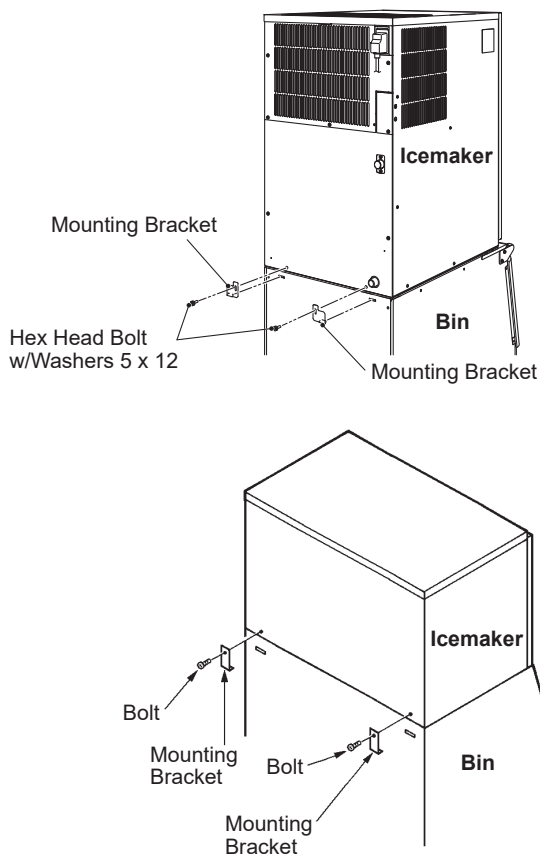
- 1) Place the icemaker in the selected permanent site.
- 2) Secure the adjustable legs (accessories) into the tapped holes on the underside icemaker, level the unit in both the left-to-right and front-to-rear directions.

[b] Modular Model

- 1) Lay the storage bin on its rear side carefully to prevent damage. Secure the four adjustable legs (bin accessory) into the four tapped holes on the underside of the bin.
- 2) Position the storage bin in the selected permanent position, and level it in both the left-to-right and front-to-rear directions.



- 3) Use the screws provided on the left or right side of the storage bin to install the top kit as required.
- 4) Remove the icemaker panels. The rear panel is not required to be removed for installation. See "3. UNPACKING".
- 5) Place the icemaker on the top of the storage bin. Be careful not to damage the icemaker.
- 6) Secure the icemaker to the storage bin at the rear, by using the mounting brackets and bolts provided.
- 7) Seal the seam between the icemaker and the storage bin with food grade sealant.
- 8) A Type model only: Remove the drain pipe collar and drain pan. Secure the bin control switch to the mounting frame using the two bolts provided. Fix the bin control switch wiring with the two nylon ties. Place the ice chute on the unit frame, and refit the drain pan in its correct position.
- 9) Replace the icemaker panels in their correct position.



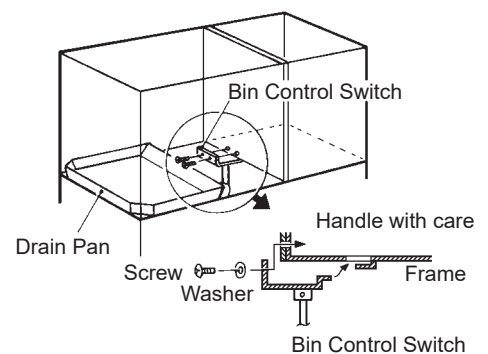
[c] Stacking Modular Model – D / X Type

NOTICE

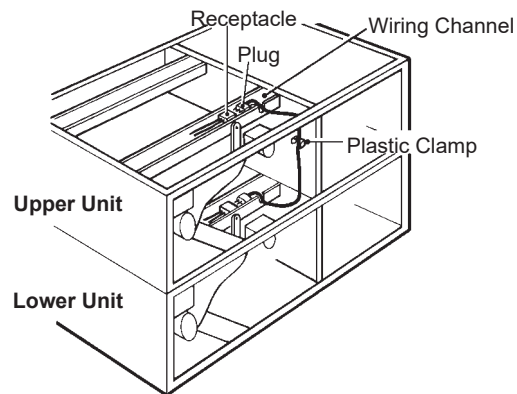
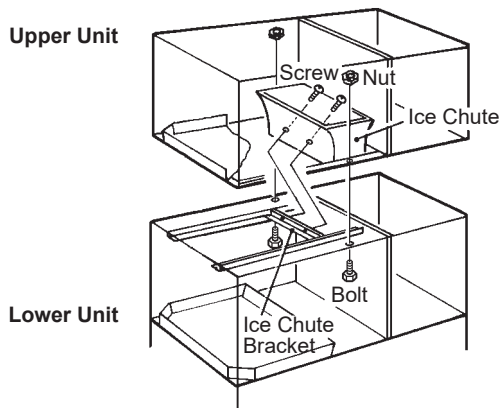
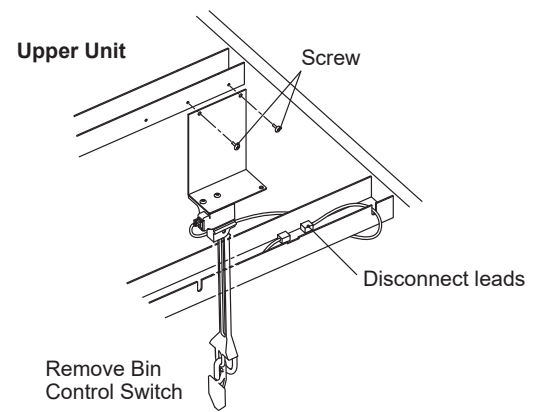
Check the icemaker models. A D-type icemaker and an X-type icemaker will be required for stacking two icemakers. A D-type icemaker and two X-type icemakers will be required when stacking three icemakers. The D-type icemaker is designed for the upper unit, and the X-type for the middle and lower units.

The D-type and X-type icemakers are provided with two different types of bin control switch. Use the bin control switch of the lower (and middle) X-type icemakers when stacking icemakers. The bin control switch must be removed from the upper unit. Misconnection or no connection may cause serious damage to the icemaker units, resulting in failure.

- 1) Prepare and position the storage bin as detailed in 1), 2), 3) and 4) in "5. INSTALLATION".
- 2) Attach the lower unit (X-type) on the top of the storage bin.
- 3) Secure the lower unit (X-type) to the storage bin at the rear, by using the mounting brackets and bolts provided.
- 4) Remove the shipping tape holding the bin control switch on the drain pan. Attach the bin control switch to the frame located at the left bottom of the condensing unit, and secure it using the two screws and the two washers provided.
- 5) Before stacking, disconnect the bin control switch leads (with three-way plug) from the upper or middle unit. Remove the screws and the bin control switch. When stacking two or three icemakers, the switch for the upper unit will not be required. Keep it after removal.



- 6) Attach the upper or middle unit on the lower unit.
- 7) Secure the two units with the two bolts and the two nuts provided.
- 8) Place the ice chute (lower or middle unit accessory) and secure it to the bracket with the two screws.
- 9) Connect the leads (with three-way plug) located in the lower unit wiring channel to the upper unit receptacle, unplugged in the above step 6). Secure the leads using the plastic clamp provided.



- 10) Replace the icemaker panels in their correct position.

Note: If stacking three icemakers, repeat the instructions 6) - 11) for the upper unit. Remember, only ONE bin control is needed regardless of configuration. The bin control extension leads are pre-wired with the plug and will be found coiled in the X-type wiring channel.

6. ELECTRICAL CONNECTIONS

⚠ WARNING

THIS APPLIANCE MUST BE EARTHED

This icemaker requires an earth that meets the national and local electrical code requirements.

To prevent possible severe electrical shock to individuals or extensive damage to the unit, install a proper earth wire to the icemaker.

Disconnect the main power supply before any maintenance, repairs or cleaning is undertaken.

* This appliance requires a separate 220 - 240VAC supply:

10A [IM-21/30CPE/CWPE, 45CPE/PE/WPE, 65PE/WPE, 100/130CPE/PE/WPE/APE]

13A [IM-240PE/WPE/APE/AWPE/DPE/DWPE/XPE/XWPE]

* The electrical supply must be protected by a suitable circuit breaker.

* The main control box fuse is rated at 5A and should only be replaced by a qualified service engineer.

* Usually an electrical permit and services of a licensed electrician are required.

ENGLISH

For the U.K. and the Republic of Ireland only


* The wires in the mains lead are coloured in accordance with the following code:

Green & Yellow = Earth

Blue = Neutral

Brown = Live

As the colours of the wire in the mains lead of this appliance may not correspond with the coloured markings identifying the terminals in your plug, proceed as follows:

The wire which is coloured Green-and-Yellow must be connected to the terminal in the plug which is marked with the letter E or by the symbol  or coloured Green or Green-and-Yellow.

The wire which is coloured Blue must be connected to the terminal which is marked with the letter N.

The wire which is coloured Brown must be connected to the terminal which is marked with the letter L.

7. WATER SUPPLY AND DRAIN CONNECTIONS

⚠ WARNING



Connect to potable cold water supply only.

* The connections to the mains water supply must be made in accordance with the countries' current requirements of the Water Supply or Water Fittings Regulations.

* Icemaking water must be potable water. Where scaling can be caused by water quality:

- Installation of an external filter or softener is recommended. Contact your local water treatment professional or Hoshizaki service agent.
- Change to the "full drain flush" mode is recommended. Contact your local Hoshizaki service agent.

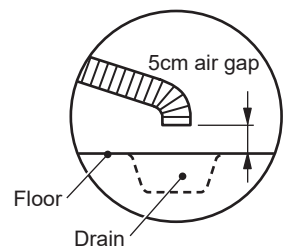
* A plumbing permit and services of a licensed plumber may be required in some areas.

* The rated water supply temperature is 5 - 35°C at a rated pressure of 0.05 - 0.8 MPa (0.5 - 8 bar) with a required flow rate of 3.8L/min. If the pressure exceeds 0.8MPa (8 bar), use a proper pressure reducing valve. Do **NOT** throttle back the supply tap.

* Be sure to use the new hose-sets supplied with the appliance. Do not reuse any old hose-sets.

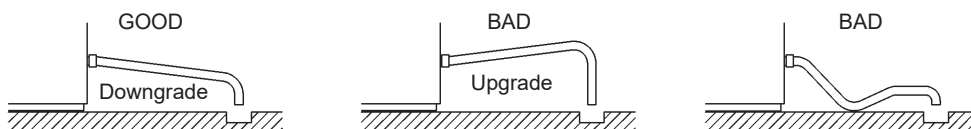
[a] Drain Connections

* Drain lines should not be installed directly to the sewer system. A vertical air gap of a minimum of 5 cm should be between the end of the drain hoses from the icemaker and the floor drain.



[Gravity Drain Models]

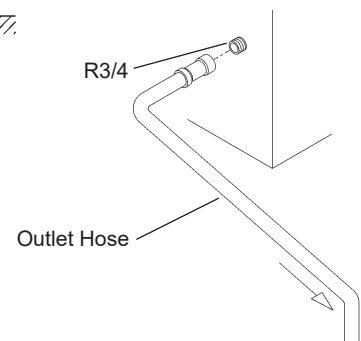
* The icemaker drain is gravity flow, so ensure drain hose has an adequate pitch or fall, as shown.



* To prevent a backflow into the storage bin, the outlet hose must be laid as shown.

Except IM-130CPE

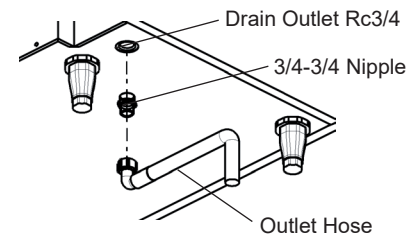
1) Hand tighten grey flexible outlet hose (accessory) onto the R3/4 fitting on the rear of the icemaker as indicated, ensuring rubber washer is correctly positioned to obtain a leak free joint. The hose can be cut to length as necessary to suit position of main drain.



IM-130CPE

- 1) By means of a suitable spanner or wrench, tighten the 3/4-3/4 nipple (accessory) into the Rc3/4 fitting on the bottom of the icemaker as indicated. P.T.F.E. tape and/or a suitable sealing compound should be used to obtain a leak free joint.

Note: Jointing compounds should be approved and suitable for potable water use.



- 2) Hand tighten grey flexible outlet hose (accessory) onto the 3/4-3/4 nipple as indicated, ensuring rubber washer is correctly positioned to obtain a leak free joint. The hose can be cut to length as necessary to suit position of drain.

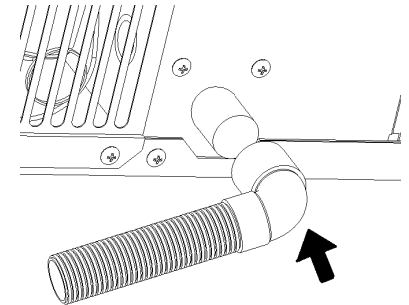
[Drain Pump Models]

- 1) Attach the angled end of the flexible outlet hose (accessory) to the 22 mm DIA push fitting on the rear of the icemaker as indicated, ensure that the clamp is placed over the angled end to provide a leak free joint.

- 2) It is advised that the drain hose has a slight downgrade before going vertical.

Note: Maximum height (H) 1.5 m at length (L) 5 m, Maximum length (L) 15 m at height 0.5 m

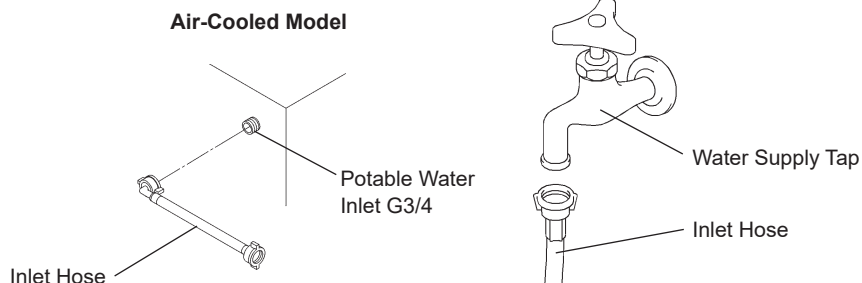
Hose provided in the accessory kit is 2 m long. To increase the length of drain hose please replace the outlet hose with a hose with a 22 mm ID up to the maximum values shown above.



[b] Potable Water Supply - Air & Water-Cooled Models

- 1) Attach the angled end of flexible inlet hose (accessory) to the G3/4 fitting on the rear of the icemaker as indicated, ensuring rubber sealing washer is correctly positioned. Hand tighten sufficiently to provide leak free joint.

- 2) Attach the other end of inlet hose to the water tap, noting washer is correctly positioned before hand-tightening as above. It is a wise precaution to have a stop valve within easy reach.



Note: To avoid performance reduction or malfunction caused by scaling, the water supply should have a hardness of not more than 150mg/L and a silica content of not more than 30mg/L. Otherwise, installation of a proper water treatment device will be required.

ENGLISH

[c] Condensing Water Supply - Water-Cooled Model

* Hoshizaki recommends that the water-cooled condenser should be connected to a closed circuit recirculating type cooling system utilizing a tower, water chiller or similar. Water make up should be via a ball valve/break tank arrangement.

* Whilst connecting a water-cooled condenser to a mains water (potable) supply will not affect the performance of the machine, it will most certainly cause a high use/waste of a valuable resource and is not recommended.

* The services of a licensed or coded plumber should be used to ensure a correct installation.

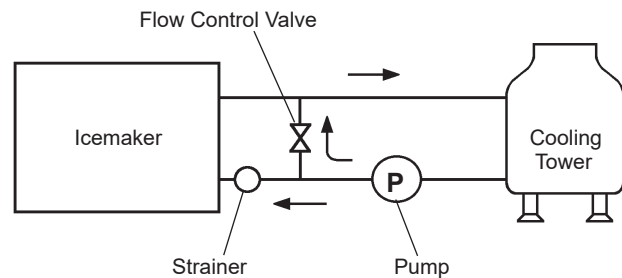
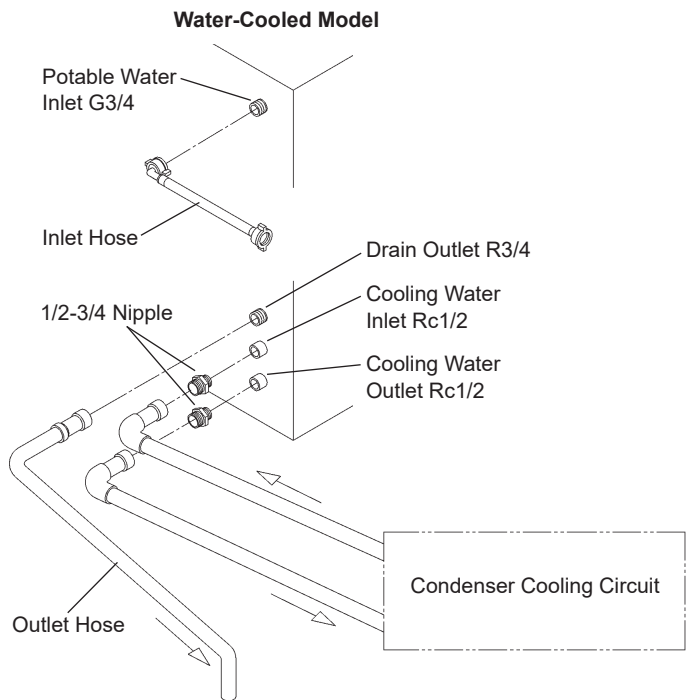
* The connections should be made properly in compliance with the applicable national or local regulations.

* Pipes between the cooling tower and the icemaker should be at least 20 mm DIA to reduce pressure loss, even though the icemaker fittings are 13 mm DIA.

* Pressure loss in the water circuit inside the unit will be 5 to 6 m when the cooling water flows at the ratio of 4 to 5 lit/min.

* When selecting a cooling tower, refer to the following peak values of heat flow in the condenser:

Model IM-30CW/45W:	295 - 760W
IM-65W:	875W
IM-100/130W:	1165W
IM-240W:	5235W



* Select a circulating pump referring to the above values of heat flow.

* Do not use a cascade pump, or the water regulator will vary the flow and stop it during the defrost cycle.

[d] Icemaker Connections

1) By means of a suitable spanner or wrench, tighten the 1/2-3/4 nipples (accessory) into the Rc1/2 fittings on the rear of the icemaker as indicated. P.T.F.E. tape and/or a suitable sealing compound should be used to obtain a leak free joint.

Note: Jointing compounds should be approved and suitable for potable water use.

2) Attach two of the angled end of the flexible hose (accessory) to the 1/2-3/4 nipple attached to the ice maker, ensuring rubber sealing washer is correctly positioned. Hand tighten sufficiently to provide leak free joint.

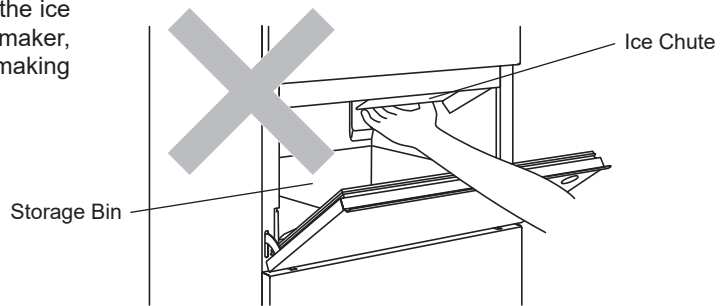
3) Connect the condenser cooling circuit to the free end of the flexible hoses (accessory) attached to the 1/2-3/4 nipples as indicated, make sure all joints are leak free.

Note: If filtration or treatment is used, ensure icemaker section only is on treated water supply, not the condenser.

II. OPERATING INSTRUCTIONS

⚠ CAUTION

Do not put your hands into the back of the storage bin or the ice chute on top of the storage bin. Ice may drop off the icemaker, a hard block of ice may suddenly break down, or the icemaking mechanism may suddenly move, resulting in injury.



NOTICE

All parts are factory-adjusted. Improper adjustments may result in failure.

If the unit is turned off, wait for at least 3 minutes before restarting the icemaker to prevent damage to the compressor.

When there is an error (EG) or drain pump is broken, the unit will stop working to avoid over flowing.

⚠ HYGIENE

This icemaker is designed to produce edible ice. To keep the icemaker hygienic:

- * Wash your hands before removing ice. Use the plastic scoop provided (accessory).
- * The storage bin is for ice use only. Do not store anything else in the bin nor use other electrical appliances in the bin.
- * Clean the storage bin before use (see "III. 1. CLEANING").
- * Keep the scoop clean. Clean it by using a neutral cleaner and rinse thoroughly.
- * Close the door after removing ice to prevent entrance of dirt, dust or insects into the storage bin.

1. START UP

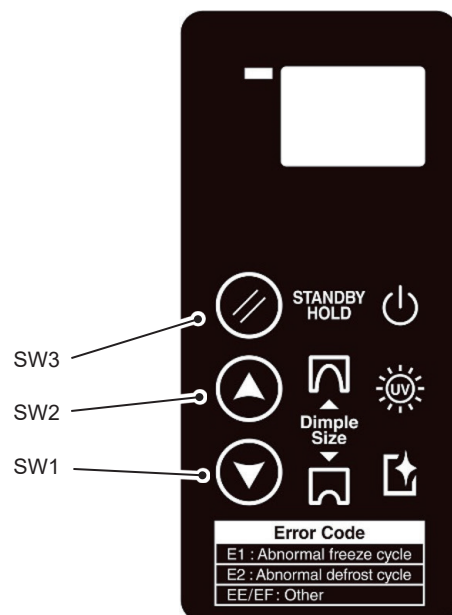
The installer will normally commission the icemaker to start the automatic icemaking process. To ensure continuous operation, make sure that:

- * The water supply tap is on, and
- * The icemaker is connected to the power supply

Mode	Stand-by	Ice Making	Bin Control
Display			

2. CONTROLS

	Press	Hold
SW3	Resets the machine, starts defrost cycle.	Turns machine into stand-by mode, same function as bin full, power still on.
SW2	Increases dimple size.	Activates UV sanitation mode.
SW1	Decreases dimple size.	Activates cleaning mode.



ENGLISH

3. PREPARING THE ICEMAKER FOR LONG STORAGE

NOTICE

This icemaker will not work at subfreezing temperatures. To prevent damage to the water supply line, drain the icemaker when air temperature is below zero.

▲HYGIENE

When shutting down the icemaker for two or more days, drain the icemaker to prevent contamination in the water circuit.

- 1) Unplug the icemaker or disconnect the power supply.
- 2) Close the water supply tap, and remove the inlet hose.
- 3) Remove all ice from the storage bin, and clean the bin.
- 4) Ask for draining of the icemaker by professional qualified personnel.

III. MAINTENANCE

1. CLEANING

▲WARNING

Before carrying out any cleaning or maintenance operations, unplug the icemaker from the electrical supply network.

This appliance must not be cleaned by use of a water jet.

▲CAUTION

When using a neutral cleaner or sodium hypochlorite, thoroughly read and understand the instructions provided to prevent potential health problems.

NOTICE

Ask a trained service person to clean and sanitise the icemaker water system at least twice a year and to check and clean the condenser at least once a year.

To prevent possible damage, do not clean the plastic parts with water above 40°C or in a dishwasher.

[a] Machine and Bin Exterior

Wipe the exterior at least once per week with a clean, soft cloth. Use a damp cloth containing a neutral cleaner to wipe off grease or dirt. After cleaning, treat external surfaces with a stainless steel care product to prevent corrosion caused by aggressive external influences.

[b] Scoop and Storage Bin Handle Cleaning/Sanitisation (Daily)

- 1) Either mix 1 litre of water with 4 ml of 5.25% sodium hypochlorite solution in a suitable container, or the recommended Hoshizaki sanitiser as directed.
- 2) Soak the scoop in the solution for more than 3 minutes. Rinse thoroughly, and shake to remove surplus liquid.

Note: Using a cloth to dry may re-contaminate.

- 3) Use a neutral cleaner to wash the storage bin handle. Rinse thoroughly.
- 4) Soak a clean cloth with the sanitising solution, and wipe the handle. Use fresh water and a clean cloth to rinse/dry.

[c] Storage Bin Interior Cleaning/Sanitisation (Weekly)

- 1) Open the storage bin door, and remove all ice.
- 2) Wash the bin liner with a neutral non-abrasive cleaner. Rinse thoroughly.
- 3) Soak a clean cloth with the neutral cleaner, and wipe both sides of the slope and the door inner surface. Wipe off the cleaner with a clean damp cloth.
- 4) Either mix 5 litres of water with 18 ml of 5.25% sodium hypochlorite solution in a suitable container, or the recommended Hoshizaki sanitiser as directed.
- 5) Soak a clean sponge or cloth with the solution, and wipe the bin liner, bin door and slope.
- 6) The remaining solution can be used to sanitise utensils.

Note: Do not wipe dry or rinse after sanitising, but allow to air dry.

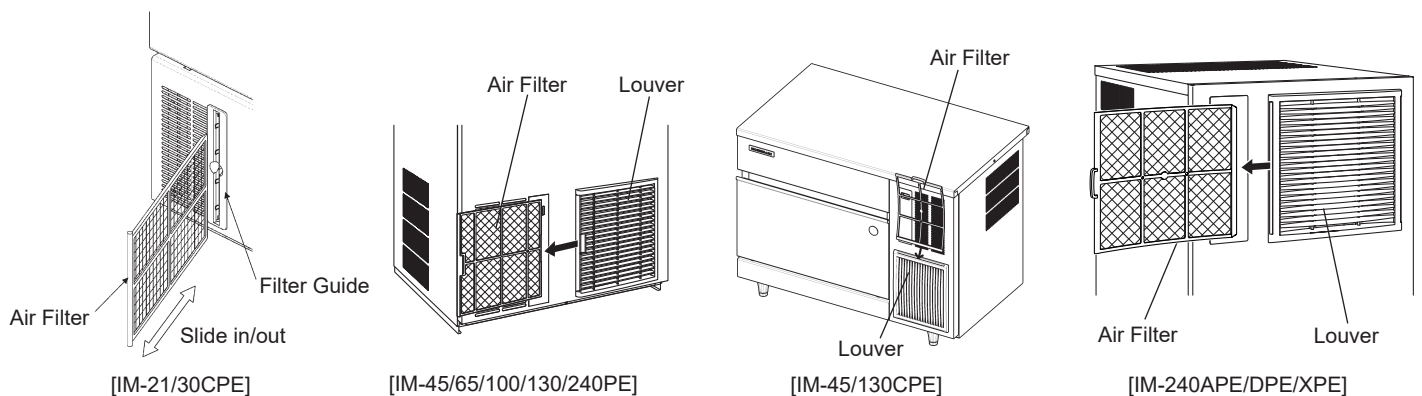
[d] Air Filter (Air-Cooled Model Only)

Plastic mesh air filters remove dirt or dust from the air, and keep the condenser from getting clogged. If the filters get clogged, the icemaker's performance will be reduced. Remove and clean the air filter(s) at least twice per month:

- 1) Slide the air filter off the filter guide [IM-30CPE] or the louver [IM-45CPE/PE, 65PE, 130CPE/PE, 240PE].
- 2) Clean the air filter by using a vacuum cleaner. When severely clogged, use warm water and a neutral cleaner to wash the air filter.
- 3) Rinse and dry the air filter thoroughly.

NOTICE

After cleaning, be sure to place the air filter back in position.



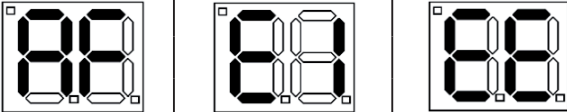
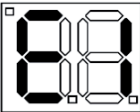

ENGLISH

2. BEFORE CALLING FOR SERVICE

[a] Error Code Indication

⚠ WARNING

If the error code "E" is indicated on the display, there is a possibility of gas leaks. Do not touch the unit. Ventilate the area and immediately call for service.

Code	Error meaning			
AF	Air filter requires cleaning notice			
AC	Water circuit requires cleaning notice			
AL	UV LED replacement notice			
C2	High pressure detection			
E1	Freeze error			
E2	Defrost error			
EE	Other error			

[b] No Error Code Indication

If the icemaker does not work properly or does not work at all and no error code is indicated on the display, before calling for service, check that:

- * The power is supplied to the unit.
- * The water is turned on.
- * The air filter is clean (air-cooled model).
- * The cooling water circuit has a proper flow (water-cooled model).

For further assistance or advice, contact your local Hoshizaki service agent.

3. DISPOSAL

Comply with local regulations regarding disposal of this appliance and its refrigerant gas. Before you scrap the appliance, take off the door to prevent children becoming trapped.

Correct disposal of this product:

This marking indicates that this product should not be disposed with other household wastes throughout the EU. To prevent possible harm to the environment or human health from uncontrolled waste disposal, recycle it responsibly to promote the sustainable reuse of material resources. To return your used device, use the return and collection systems or contact the retailer where the product was purchased. They can take this product for environmental safe recycling.



4. WARRANTY

Hoshizaki warrants to the original owner/user that all Hoshizaki branded products shall be free of defects in material and/or workmanship for the duration of the "warranty period". The warranty shall be effective from the date of installation. Hoshizaki's liability under the terms of the warranty are limited and shall exclude routine servicing, cleaning, essential maintenance and/or repairs occasioned by misuse and installations not in accordance with Hoshizaki guidelines.

Warranty repairs should be completed by an approved Hoshizaki dealer or service agency using genuine Hoshizaki components.

To obtain full details of your warranty and approved service agency, please contact your dealer/supplier, or the nearest Hoshizaki Service office:

Europe, Middle East, Africa

Hoshizaki UK - UK, Ireland
TEL: +44 845 456 0585
FAX: +44 132 283 8331
uksales@hoshizaki.uk

Hoshizaki Middle East - Middle East
TEL: +971 48 876 612
FAX: +971 48 876 613
sales@hoshizaki.ae

Hoshizaki Deutschland - Germany, Switzerland, Austria
TEL: +49 5121 697370
FAX: +49 5121 6973719
stoerung@hoshizaki.de

Hoshizaki Benelux - Netherlands, Belgium, Luxembourg
Tel: +31 85 018 83 70
info@hoshizaki.nl

Hoshizaki France - France
TEL: +33 1 48 63 93 80
FAX: +33 1 48 63 93 88
info@hoshizaki.fr

Hoshizaki Italia - Italy
TEL: +39 (0)2 30557106
TEL: +39 348 3022156
info@hoshizaki.it

Hoshizaki Iberia - Spain, Portugal
TEL: +34 93 478 09 52
FAX: +34 93 478 08 00
info@hoshizaki.es

Hoshizaki Europe B.V. - all other countries within Europe and Africa
TEL: +31 20 6918499
FAX: +31 20 6918768
sales@hoshizaki.nl

Asia, Oceania

Hoshizaki Singapore
TEL: +65 6225 2612
FAX: +65 6225 3219
sales@hoshizaki.com.sg (Sales)
serviceadmin@hoshizaki.com.sg (Technical support)

Hoshizaki Hong Kong
TEL: +852 2866-2108
FAX: +852 2866-2109

Hoshizaki Taiwan
TEL: +886 2 2706 8818
FAX: +886 2 2708 7999

Hoshizaki Lancer
TEL: +61 8 8268 1388
FAX: +61 8 8268 1978

FRANCAIS

INFORMATIONS DE SECURITE IMPORTANTES

Tout au long de ce manuel, des avis attirent l'attention sur des situations qui pourraient entraîner la mort, des blessures graves ou des dégâts à l'appareil.

▲AVERTISSEMENT	Signale une situation dangereuse qui, si elle n'est pas évitée, peut entraîner des blessures graves voire mortelles.
▲ATTENTION	Signale une situation dangereuse qui, si elle n'est pas évitée, peut entraîner des blessures mineures ou modérées.
AVIS	Signale une situation dangereuse qui, si elle n'est pas évitée, peut entraîner des dégâts à l'appareil.
▲HYGIENE	Signale des précautions importantes à prendre en matière d'hygiène et de sécurité alimentaire.
IMPORTANT	Signale des informations importantes sur l'utilisation de l'appareil et son entretien.

La machine à glace emploie du fluide frigorigène exempt de HFC (propane), une substance non nocive pour la couche d'ozone et durable qui a très peu d'impact sur le réchauffement mondial.

▲AVERTISSEMENT
L'unité de refroidissement de cette machine à glace contenant des fluides frigorigènes inflammables, son installation, sa manipulation, son entretien et sa mise au rebut ne doivent être réalisés que par des techniciens agréés.
Le fluide frigorigène de cette machine à glace est inflammable et est enfermé dans le système de réfrigération. Bien que le fluide frigorigène ne présente aucun risque de fuite dans des conditions d'utilisation normales, manipuler la machine à glace avec la plus grande précaution afin d'éviter d'endommager le système.
En cas de fuite de fluide frigorigène résultant d'un dommage accidentel au système de réfrigération : * Interdire toute étincelle ou corps incandescent dans le voisinage. * N'utiliser aucun interrupteur ni prise électrique dans le voisinage. * Ne pas utiliser de flamme nue. * Ventiler immédiatement la pièce en ouvrant les portes et/ou fenêtres. * Appeler un technicien de réparation.
IMPORTANT
Ce livret est un élément essentiel qui fait partie intégrante du produit et il doit être conservé soigneusement par l'utilisateur.
Lire attentivement les conseils et les avertissements qui s'y trouvent, car ils ont pour but de fournir à l'installateur et à l'utilisateur des informations essentielles pour une installation correcte, une utilisation en toute sécurité et un entretien adéquat du produit.
Conserver précieusement ce livret pour toute référence ultérieure.
Ces produits sont classés IP20.

▲AVERTISSEMENT

Cette machine à glace a été conçue pour des applications commerciales ; elle ne peut être utilisée qu'aux fins auxquelles elle est expressément destinée.

Toute autre utilisation doit être considérée comme inappropriée et donc dangereuse. Le fabricant décline toute responsabilité pour les dégâts provoqués par une utilisation inappropriée, incorrecte et abusive.

L'installation, et le transfert le cas échéant, doivent être effectués par un personnel qualifié, conformément aux réglementations en vigueur et aux consignes du fabricant.

Veiller à ce que les ouvertures de ventilation de l'enceinte de l'appareil et de la structure intégrée ne soient pas obstruées.

Pour accélérer le processus de décongélation, ne pas utiliser d'équipements mécaniques ni des méthodes autres que celles recommandées par le fabricant.

L'utilisation de tout appareil électrique implique le respect de certaines règles fondamentales. En particulier :

- * La présence d'une humidité élevée augmente le risque de courts-circuits électriques et de décharges électriques. En cas de doute, débrancher la machine à glace.
- * Ne pas endommager le cordon d'alimentation et ne pas tirer dessus pour débrancher la machine à glace.
- * Si le cordon et/ou la fiche d'alimentation électrique sont à remplacer, l'opération doit être effectuée par un technicien qualifié.
- * Ne pas toucher les pièces électriques ni les commutateurs avec les mains humides.
- * Cette machine n'est pas prévue pour une utilisation par des personnes (y compris des enfants) aux capacités physiques, sensorielles ou mentales réduites, ou manquant d'expérience ou de connaissances. Elle peut cependant être utilisée par des enfants d'au moins 8 ans et des personnes aux capacités physiques, sensorielles ou mentales réduites, ou manquant d'expérience ou de connaissances, si une personne responsable de leur sécurité les surveille ou leur a indiqué les consignes d'utilisation de la machine.
- * Les enfants ne doivent pas jouer avec la machine.
- * Le nettoyage et l'entretien régulier ne doivent pas être effectués par des enfants sans surveillance.
- * Ne pas tenter de modifier la machine à glace. Cet appareil ne peut être démonté ou réparé que par du personnel qualifié.

Lors de la mise en place de l'appareil, veiller à ne pas coincer ni endommager le cordon d'alimentation.

Ne pas placer de prise multiple portable ni d'alimentation électrique portable à l'arrière de l'appareil.

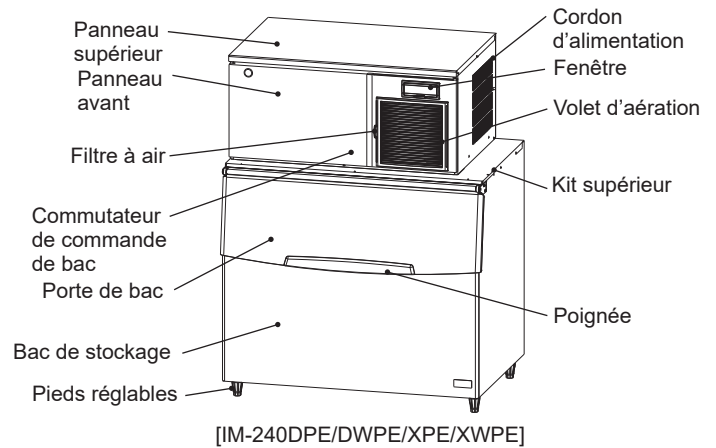
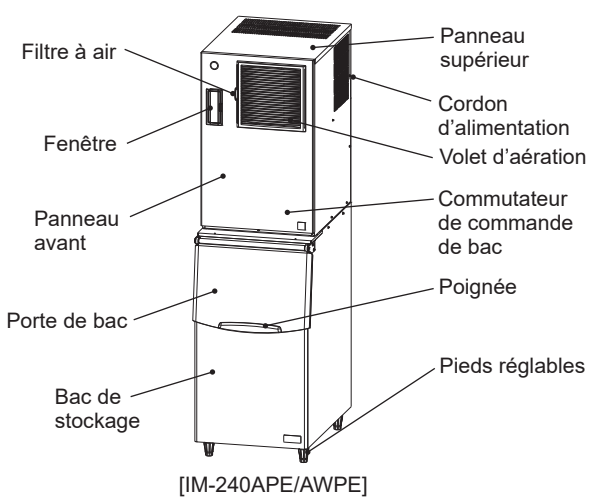
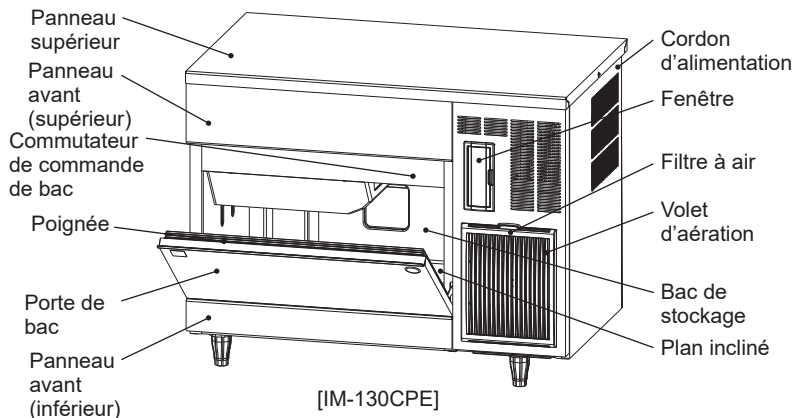
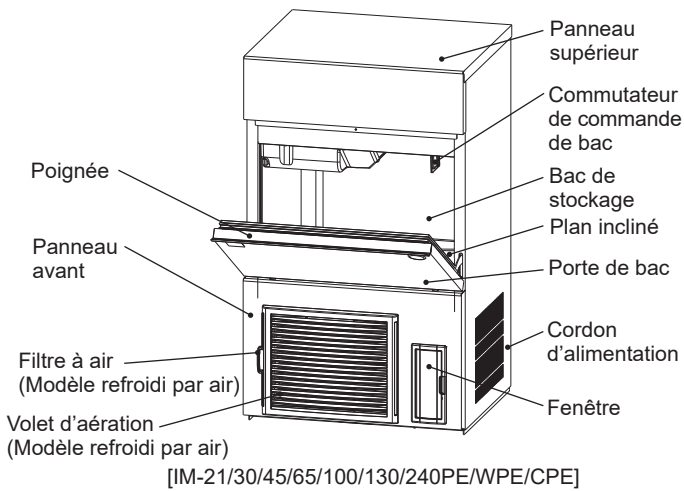


Ce symbole ISO 7010 W021 signifie :
Avertissement : Risque d'incendie/matériaux inflammables

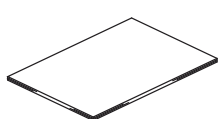
FRANCAIS

I. CONSIGNES D'INSTALLATION

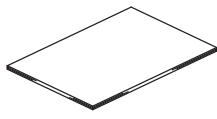
1. CONSTRUCTION



2. ACCESSOIRES



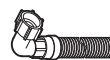
Notice d'utilisation



Guide de prise en main rapide



Flexible d'arrivée



Tuyau de sortie



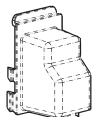
Mamelon 3/4-3/4



Mamelon 1/2-3/4



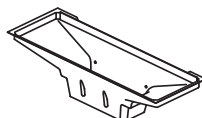
Pied



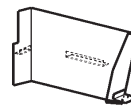
Capot de connecteur



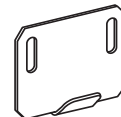
Pelle à glaçons



Goulotte de sortie de la glace (type X)



Goulotte de sortie de la glace (type A)



Support de fixation



Boulon avec rondelle



Serre-câbles



Boulons M8 x 16



Rondelle en plastique



Ecrou M8

La présence des composants de l'UVC et de la pompe de vidange varie selon le modèle ; ils peuvent être préinstallés ou non en fonction de la configuration spécifique.

* Qté.1 Collier de serrage inclus dans tous les modèles de pompe de vidange, IM-21CPE n'inclut pas les pieds. Les kits de compatibilité sont vendus séparément.

[a] Modèles autonomes

	IM-21/30/45CPE, IM-45/65/100/130/240PE	IM-30CWPE, IM-45/65/100/130/240WPE	IM-130CPE
Notice d'utilisation	1	1	1
Guide de prise en main rapide	1	1	1
Flexible d'arrivée	1	3	1
Tuyau de sortie	1	1	1
Mamelon 3/4-3/4	-	-	1
Mamelon 1/2-3/4	-	2	-
Pied	4	4	5
Capot de connecteur	1	1	1
Pelle à glaçons	1	1	1

[b] Modèles modulaires

	IM-130/240APE	IM-240AWPE	IM-240DPE	IM-240DWPE	IM-240XPE	IM-240XWPE
Notice d'utilisation	1	1	1	1	1	1
Guide de prise en main rapide	1	1	1	1	1	1
Flexible d'arrivée	1	3	1	3	1	3
Tuyau de sortie	1	1	1	1	1	1
Mamelon 1/2-3/4	-	2	-	2	-	2
Capot de connecteur	1	1	1	1	1	1
Goulotte de sortie de la glace	1	1	-	-	1	1
Support de fixation	2	2	2	2	2	2
Boulon avec rondelle M5x12	2	2	2	2	-	-
Boulon avec rondelle M4x10	-	-	-	-	4	4
Serre-câbles	-	-	-	-	2	2
Boulon M8x16	-	-	2	2	2	2
Rondelle en plastique	-	-	2	2	4	4
Ecrou M8	-	-	2	2	2	2

* La pompe de vidange et les fonctions UVC peuvent être installées en tant que kits optionnels. Veuillez contacter votre revendeur/fournisseur, ou le bureau de service Hoshizaki le plus proche pour plus de détails.

3. DEBALLAGE

⚠AVERTISSEMENT

Les enfants doivent être tenus à l'écart des éléments d'emballage (sacs en plastique et polystyrène expansé) car ils constituent des sources de danger potentielles.

⚠ATTENTION

Ne pas soulever ou déplacer le carton en utilisant les sangles d'emballage.

En cas de déplacement de l'appareil à la main, tenir le bas de l'appareil.

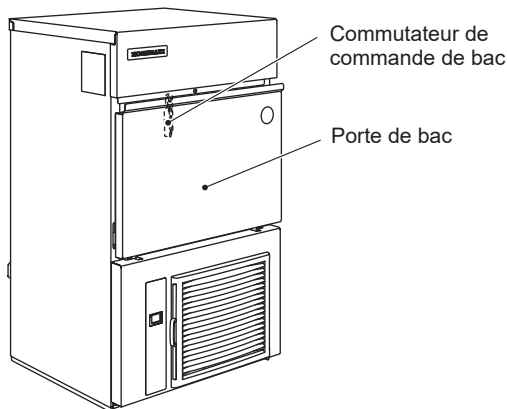
Toujours porter des gants de protection lors du transport de l'appareil.

Lors de la manipulation du carton ou de l'appareil déballé, travailler à deux pour éviter les blessures.

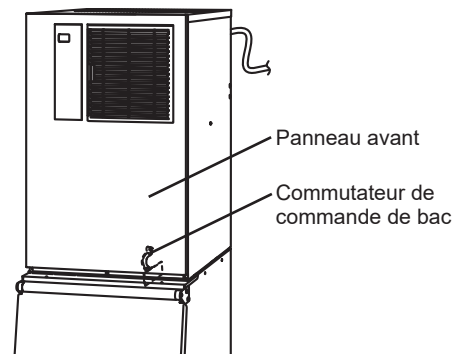
AVIS

Enlever le carton de transport, le ruban adhésif et le matériel d'emballage. S'il reste des matériaux d'emballage dans la machine à glace, elle ne fonctionnera pas correctement.

- 1) Retirer l'emballage extérieur.
- 2) Une fois l'emballage enlevé, vérifier que la machine à glace est en bon état. En cas de doute, ne pas utiliser la machine à glace et faire appel à un technicien qualifié.
- 3) Retirer le ruban d'expédition maintenant la porte et le volet d'aération du panneau avant.
- 4) Retirer le film protecteur en plastique recouvrant l'extérieur. Si la machine à glace a été exposée au soleil ou à la chaleur, la laisser refroidir avant d'enlever le film.
- 5) Retirer le paquet d'accessoires. Vérifier le contenu conformément à la section « 2. ACCESSOIRES ».
- 6) Retirer le ruban d'emballage retenant le commutateur de commande de bac.
 - a. Modèles autonomes : en ouvrant la porte du bac et en accédant à l'intérieur.
 - b. Modèles modulaires : en ouvrant le panneau avant et en retirant le commutateur de commande du bac de vidange.



Modèles autonomes
[IM-21/30/45/65/100/130/240PE/WPE/CPE]



Modèles modulaires
[IM-130/240APE/AWPE/DPE/DWPE]

Remarque : Les modèles modulaires nécessitent un bac de stockage. Hoshizaki recommande les suivants :

- a. Type A (IM-130/240APE/AWPE) : B-140SA
- b. Type D/X (IM-240DPE/DWPE/XPE/XWPE) : B-340SA

4. EMBLACEMENT

⚠ AVERTISSEMENT

Cette machine à glace n'est pas conçue pour être utilisée à l'extérieur.

La machine à glace ne doit pas être placée à proximité de fours, de grills ou de toute autre source de chaleur importante.

Cet appareil n'est pas conçu pour être installé dans une zone où un jet d'eau peut être utilisé.

⚠ ATTENTION

La machine à glace doit avoir une assise solide et horizontale.

AVIS

Ne rien poser sur le dessus de la machine ni devant le volet d'aération.

IMPORTANT

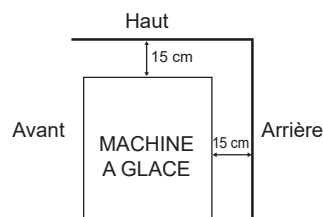
La température ambiante normale de service doit être comprise entre 1 °C et 40 °C. Le raccordement à l'eau est uniquement pour de l'eau froide. Le fonctionnement de la machine en dehors de ces plages de températures, pendant des durées prolongées, risque d'affecter la capacité de production de glaçons.

Classe climatique 5 : Cet appareil a été soumis à des tests de sécurité électrique pour un fonctionnement à une température ambiante maximale de 43 °C avec 40 % d'humidité relative. Cependant, la température ambiante normale de service doit être comprise entre 7 °C et 38 °C.

Pour assurer une bonne circulation d'air et faciliter les opérations de maintenance ou d'entretien, prévoir le dégagement indiqué ci-dessous.

[IM-21/30CPE/CWPE, IM-45CPE]

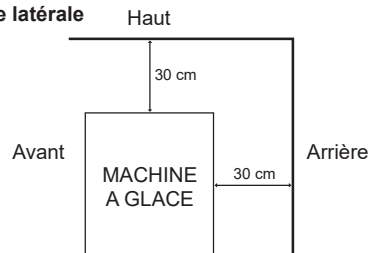
Vue latérale



* Aucun dégagement nécessaire sur les côtés

[IM-240PE/WPE/APE/AWPE]

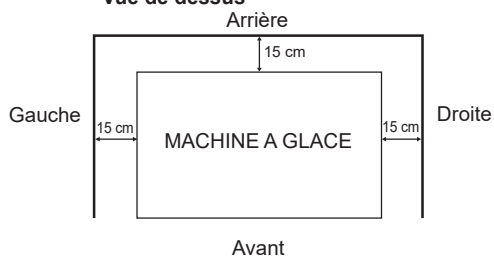
Vue latérale



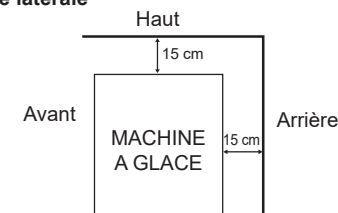
* 5 cm de dégagement nécessaire sur les côtés

[IM-45/65/100/130PE/WPE, IM-130CPE]

Vue de dessus

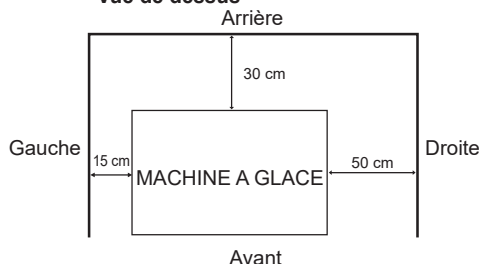


Vue latérale

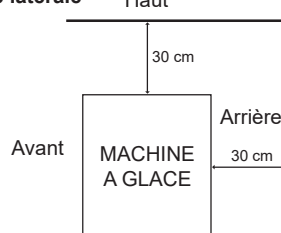


[IM-240DPE/DWPE, IM-240XPE/XWPE]

Vue de dessus



Vue latérale



Dans certains environnements très humides, de la condensation peut se former à l'intérieur de la machine et couler sur le sol. Ne pas installer l'appareil sur un sol que l'eau pourrait endommager.

Eviter toute exposition prolongée de l'appareil à la lumière directe du soleil.

5. INSTALLATION

⚠ ATTENTION

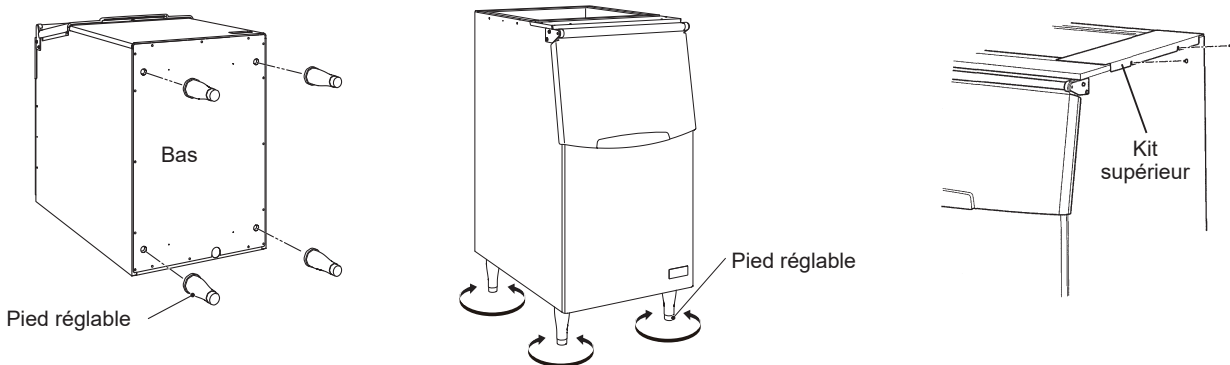
Une installation incorrecte de la machine peut avoir des conséquences néfastes sur les personnes, les animaux ou d'autres choses, pour lesquelles le fabricant ne peut être tenu responsable.

[a] Modèle autonome

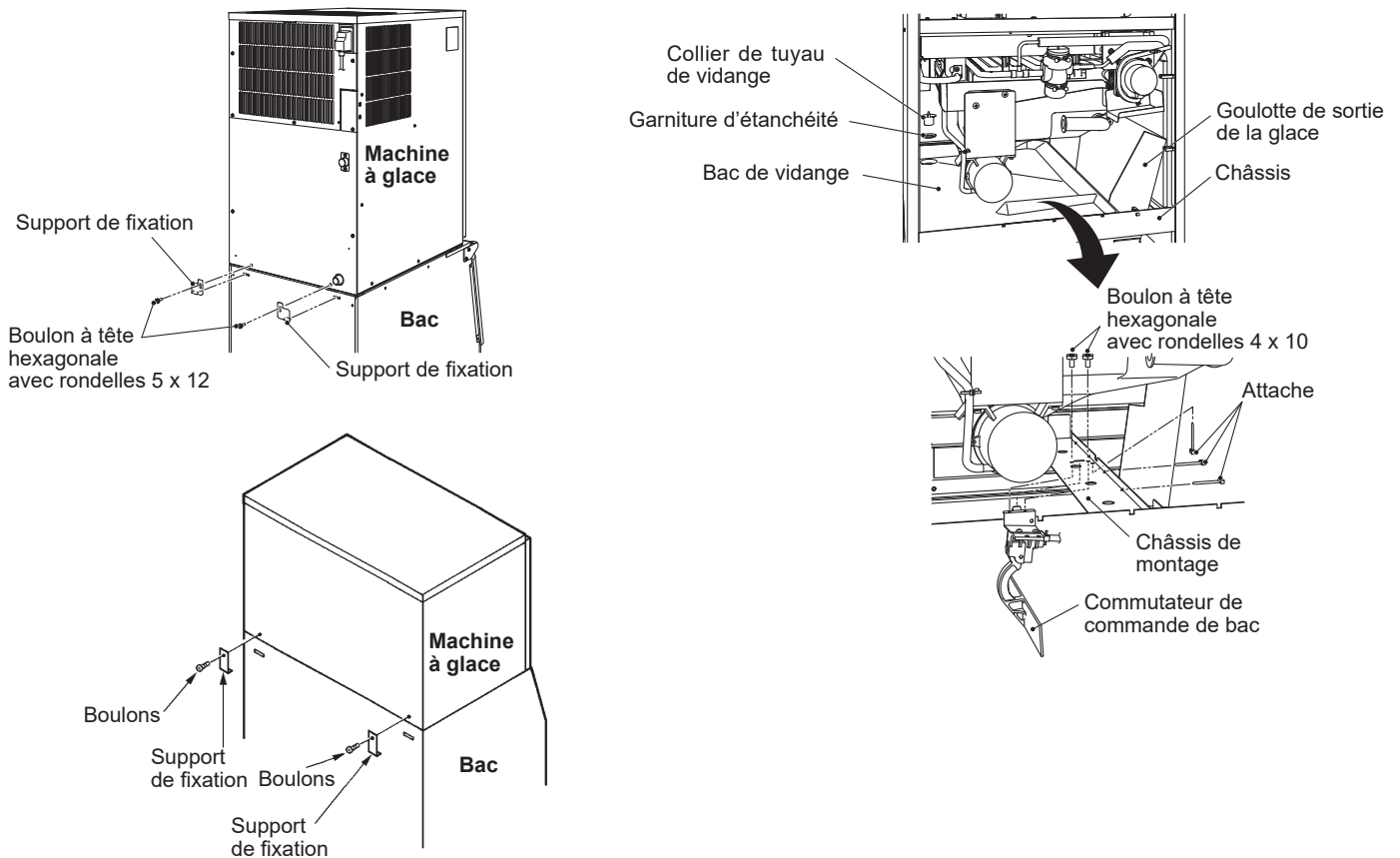
- 1) Placer la machine à glace à l'endroit choisi pour son installation permanente.
- 2) Fixer les pieds réglables (accessoires) dans les orifices taraudés situés sous la machine à glace, et mettre l'appareil de niveau dans le sens latéral et dans la profondeur.

[b] Modèle modulaire

- 1) Coucher le bac de stockage sur l'arrière, en veillant à ne pas l'endommager. Fixer les quatre pieds réglables (accessoires de bac) dans les quatre orifices taraudés situés sous le bac.
- 2) Positionner le bac de stockage dans l'emplacement permanent choisi, puis le mettre à niveau dans le sens latéral et dans la profondeur.



- 3) Utiliser les vis fournies à gauche ou à droite du bac de stockage pour installer le kit supérieur comme requis.
- 4) Retirer les panneaux de la machine à glace. Il n'est pas nécessaire de retirer le panneau arrière lors de l'installation. Voir « 3. DEBALLAGE ».
- 5) Placer la machine à glace sur le bac de stockage. Veiller à ne pas endommager la machine à glace.
- 6) Fixer la machine à glace sur le bac de stockage par l'arrière en utilisant les supports de fixation et les boulons fournis.
- 7) Sceller le joint entre la machine à glace et le bac de stockage au moyen d'un mastic d'étanchéité répondant aux normes de l'industrie alimentaire.
- 8) Modèle de type A uniquement : retirer le collier de tuyau de vidange et le bac de vidange. Fixer le commutateur de commande de bac au châssis de montage à l'aide des deux boulons fournis. Attacher le câble du commutateur de commande du bac à l'aide des deux colliers de nylon. Placer la goulotte de sortie de la glace sur le châssis et replacer le bac de vidange dans sa position correcte.
- 9) Replacer les panneaux de la machine à glace dans leur position correcte.



[c] Empilement du modèle modulaire – Type D / X

AVIS

Vérifier le modèle des machines à glace. Pour empiler deux machines à glace, il est nécessaire de disposer d'une machine de type D et d'une machine de type X. Pour empiler trois machines à glace, il est nécessaire de disposer d'une machine de type D et de deux machines de type X. La machine de type D est conçue pour être positionnée au-dessus (unité supérieure) ; la machine de type X est conçue pour être positionnée au milieu et au-dessous (unités centrale et inférieure).

Les machines à glace de type D et de type X sont fournies avec deux types de commutateurs de commande de bac différents. En cas d'empilement de plusieurs machines à glace, utiliser le commutateur de commande de bac du type X d'unité inférieure (et centrale). Retirer le commutateur de commande de bac de l'unité supérieure. Un branchement défectueux ou inexistant risque de provoquer de sérieux dommages au niveau des unités de machine à glace et de provoquer un dysfonctionnement.

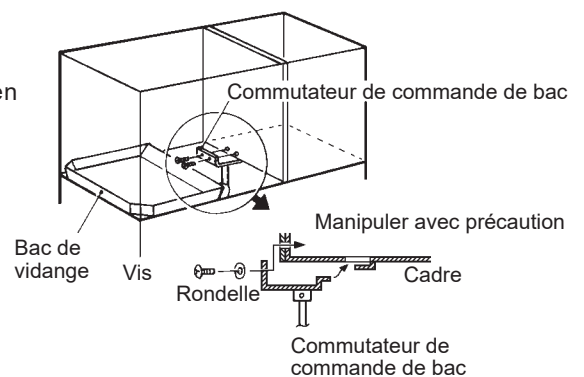
1) Préparer et positionner le bac de stockage comme indiqué sous les points 1), 2), 3) et 4) du chapitre « 5. INSTALLATION ».

2) Fixer l'unité inférieure (type X) sur le haut du bac de stockage.

3) Fixer l'unité inférieure (type X) sur le bac de stockage par l'arrière en utilisant les supports de fixation et les boulons fournis.

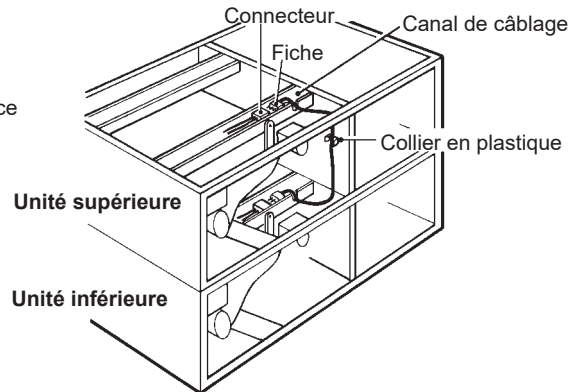
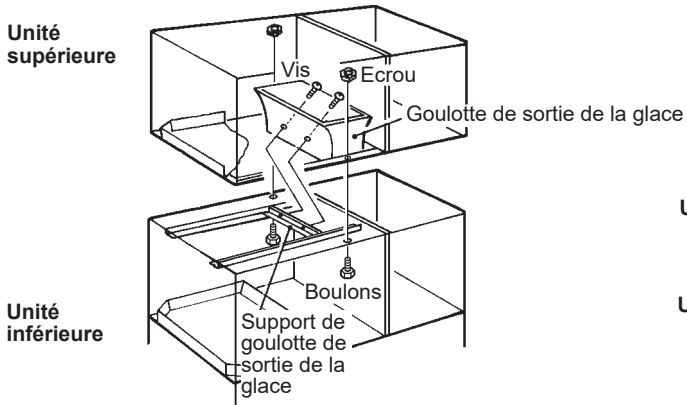
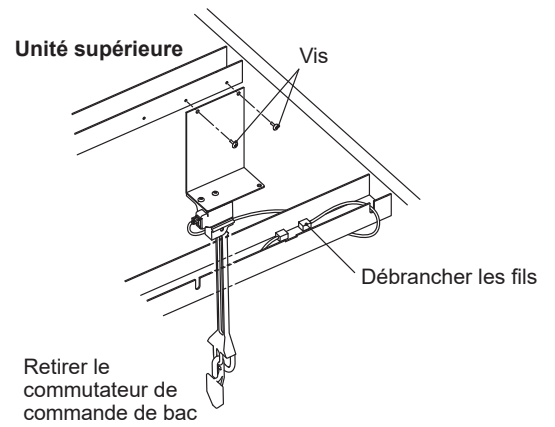
4) Retirer le ruban d'emballage retenant le commutateur de commande de bac sur le bac de vidange. Mettre le commutateur de commande de bac sur le cadre situé en bas à gauche de l'unité de condenseur, et le fixer à l'aide des deux vis et des deux rondelles fournies.

5) Avant l'empilement, débrancher les fils du commutateur de commande de bac (avec fiche triple) de l'unité supérieure ou centrale. Retirer les vis et le commutateur de commande de bac. Lors de l'empilement de deux ou trois machines à glace, le commutateur de l'unité supérieure est inutile. Le garder après l'avoir retiré.



FRANCAIS

- 6) Fixer l'unité supérieure ou centrale sur l'unité inférieure.
- 7) Fixer les deux unités avec les deux boulons et les deux écrous fournis.
- 8) Positionner la goulotte de sortie de la glace (accessoire pour unité inférieure ou centrale), puis la fixer au support avec les deux vis.
- 9) Brancher les fils (avec fiche triple - débranchés lors de l'étape 6) ci-dessus) du canal de câblage de l'unité inférieure sur le connecteur de l'unité supérieure. Fixer les fils à l'aide du collier en plastique fourni.



- 10) Remettre les panneaux de la machine à glace dans leur position correcte.

Remarque : En cas d'empilement de trois machines à glace, répéter les étapes 6) à 11) pour l'unité supérieure. Ne pas oublier qu'UN seul commutateur de commande de bac est nécessaire quelle que soit la configuration. Les fils de rallonge du commutateur de la commande de bac sont précâblés avec la fiche et déjà enroulés dans le canal de câblage de type X.

6. BRANCHEMENTS ELECTRIQUES

⚠ AVERTISSEMENT

CET APPAREIL DOIT ETRE MIS A LA TERRE

Cette machine à glace doit avoir une mise à la terre qui respecte les réglementations électriques nationales et locales.

Pour éviter tout risque de décharges électriques graves ou de dégâts importants à l'appareil, installer un câble de mise à la terre approprié sur la machine.

Avant toute opération de maintenance, réparation ou nettoyage, débrancher l'alimentation électrique.

* Cette machine requiert une alimentation électrique de 220 - 240 V CA séparée :

10 A [IM-21/30CPE/CWPE, 45CPE/PE/WPE, 65PE/WPE, 100/130CPE/PE/WPE/APE]

13 A [IM-240PE/WPE/APE/AWPE/DPE/DWPE/XPE/XWPE]

* L'alimentation électrique doit être protégée par un disjoncteur approprié.

* Le fusible du boîtier de commande principal est étalonné à 5 A et ne doit être remplacé que par un technicien d'entretien qualifié.

* Il faut généralement obtenir une autorisation pour effectuer l'installation électrique et recourir aux services d'un électricien qualifié.

Pour le Royaume-Uni et la République d'Irlande uniquement

- * Les fils du cordon d'alimentation électrique présentent le codage couleur suivant :
Vert et jaune = Terre
Bleu = Neutre
Marron = Sous tension

La couleur des conducteurs du cordon d'alimentation de cet appareil peut ne pas correspondre au marquage couleur des bornes de votre fiche ; dans ce cas, procéder comme suit :

Le fil vert et jaune doit être relié à la borne de la fiche repérée par la lettre E ou par le symbole \perp ou la couleur verte ou verte et jaune.

Le câble bleu doit être raccordé à la borne portant la lettre N.

Le câble marron doit être raccordé à la borne portant la lettre L.

7. BRANCHEMENTS D'ARRIVEE ET DE VIDANGE D'EAU

⚠ AVERTISSEMENT

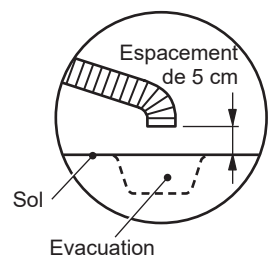


Raccorder à l'arrivée d'eau potable froide uniquement.

- * Les raccordements à l'arrivée d'eau du réseau doivent être réalisés conformément aux exigences nationales en vigueur des réglementations sur l'arrivée d'eau ou les raccords.
- * L'eau utilisée pour la fabrication de la glace doit être potable. Là où la qualité de l'eau peut entraîner la formation de calcaire :
- L'installation d'un filtre externe ou d'un adoucisseur est recommandée. Contacter le professionnel du traitement de l'eau ou l'agent de service Hoshizaki local.
- L'utilisation du mode de rinçage complet du circuit de vidange est recommandée. Contactez l'agent de service Hoshizaki local.
- * Dans certaines régions, il est possible qu'il faille obtenir une autorisation pour effectuer les travaux de plomberie et avoir recours aux services d'un plombier autorisé.
- * La température nominale de l'arrivée d'eau est comprise entre 5 et 35 °C à une pression nominale de 0,05 à 0,8 MPa (0,5 - 8 bar) pour un débit requis de 3,8 L/min. Si la pression dépasse 0,8 MPa (8 bars), utiliser un réducteur de pression approprié. Ne PAS réduire le débit du robinet d'alimentation.
- * Veiller à utiliser les jeux de tuyaux neufs fournis avec l'appareil. Ne pas réutiliser les anciens jeux de tuyaux.

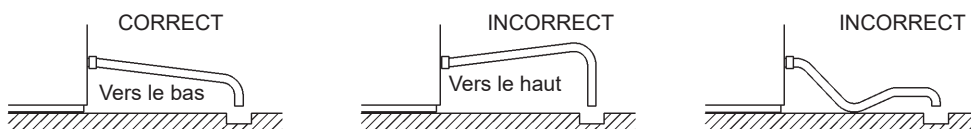
[a] Raccordements des drains

- * Les conduites de vidange ne doivent pas être reliées directement à l'égout. L'extrémité des tuyaux de vidange de la machine à glace doit être espacée d'au moins 5 cm à la verticale par rapport à l'évacuation de sol.



[Modèles de vidange par gravité]

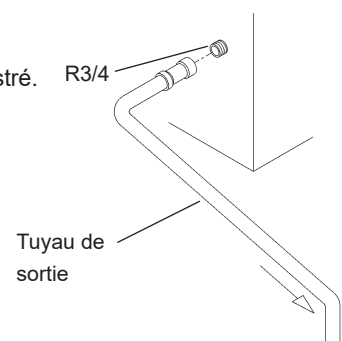
- * La vidange d'eau de la machine à glace s'effectue par gravité : le tuyau de vidange doit donc avoir une inclinaison ou une hauteur de chute suffisante, comme illustré.



- * Pour éviter un refoulement à l'intérieur du bac de stockage, poser le tuyau de sortie comme illustré.

Sauf IM-130CPE

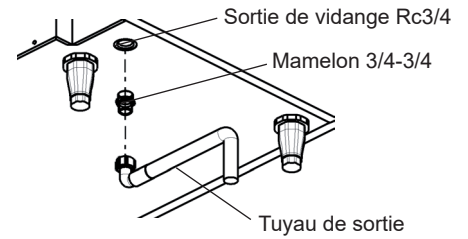
- 1) Serrer à la main le tuyau de sortie gris (accessoire) sur le raccord R3/4 à l'arrière de la machine à glace comme indiqué, en veillant à placer correctement la rondelle d'étanchéité en caoutchouc pour obtenir un joint étanche. Le tuyau peut être coupé à la longueur voulue en fonction de la position de vidange principale.



IM-130CPE

- 1) A l'aide d'une clé adaptée, serrer le mamelon 3/4-3/4 (accessoire) dans le raccord Rc3/4 en bas de la machine à glace comme indiqué. Utiliser du ruban PTFE et/ou du mastic d'étanchéité adéquat pour former un joint étanche.

Remarque : Les produits d'étanchéité pour joints doivent être approuvés et adaptés à une utilisation avec de l'eau potable.



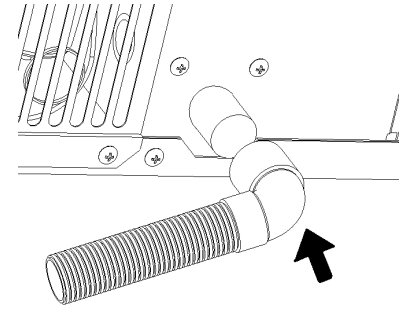
- 2) Serrer à la main le tuyau de sortie gris (accessoire) sur le mamelon 3/4-3/4 comme indiqué, en veillant à placer correctement la rondelle d'étanchéité en caoutchouc pour obtenir un joint étanche. Le tuyau peut être coupé à la longueur voulue en fonction de la position de vidange.

[Modèle avec pompe de vidange]

- 1) Raccorder l'extrémité coudée du tuyau de sortie (accessoire) sur le raccord instantané de 22 mm de diamètre à l'arrière de la machine à glace comme indiqué, en s'assurant que le collier est placé sur l'extrémité coudée pour obtenir un joint étanche.

- 2) Il est conseillé d'orienter le tuyau de vidange en pente légère avant de l'acheminer à la verticale.

Remarque : Hauteur maximum (H) de 1,5 m pour une longueur (L) de 5 m,
Longueur maximum (L) de 15 m pour une hauteur de 0,5 m

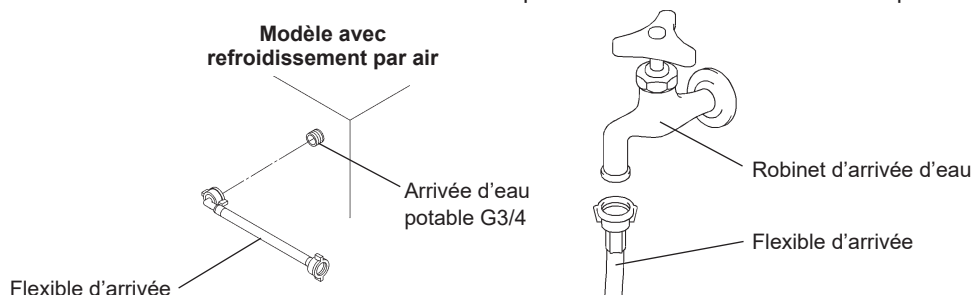


Le tuyau fourni dans le kit d'accessoires mesure 2 m de long, pour augmenter la longueur du tuyau de vidange, veuillez remplacer le tuyau de sortie par un tuyau avec un diamètre intérieur de 22 mm jusqu'aux valeurs maximales indiquées ci-dessus.

[b] Arrivée d'eau potable – Modèle avec refroidissement par air et par eau

- 1) Raccorder l'extrémité coudée du tuyau d'arrivée d'eau (accessoire) au raccord G3/4 à l'arrière de la machine à glace comme indiqué, en veillant à placer correctement la rondelle d'étanchéité en caoutchouc. Serrer manuellement de manière à obtenir un raccordement étanche.

- 2) Raccorder l'autre extrémité du tuyau d'arrivée au robinet d'eau, en veillant à ce que la rondelle soit correctement positionnée, avant de serrer manuellement comme ci-dessus. Il est prudent d'avoir un robinet d'arrêt à proximité.



Remarque : Pour éviter une diminution des performances ou un dysfonctionnement provoqués par un entartrage, la dureté de l'eau ne doit pas excéder 150 mg/l et le taux de silice doit être de 30 mg/l maximum. A défaut, l'installation d'un dispositif de traitement de l'eau adéquat sera nécessaire.

[c] Arrivée d'eau de condensation- Modèle avec refroidissement par eau

* Hoshizaki recommande de raccorder le condenseur refroidi par eau à un système de refroidissement de type à circuit fermé de recyclage comportant une tour, un refroidisseur d'eau ou similaire. L'approvisionnement en eau doit se faire au moyen d'une vanne à boule/d'un réservoir de barrage.

* Le raccordement d'un condenseur refroidi par eau à une alimentation en eau secteur (potable) n'affecte pas la performance de la machine mais provoque une utilisation/un gaspillage d'eau important que nous ne recommandons pas.

* Faire appel à un plombier agréé pour s'assurer que l'installation est correcte.

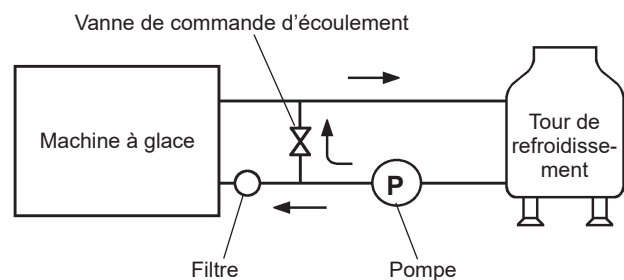
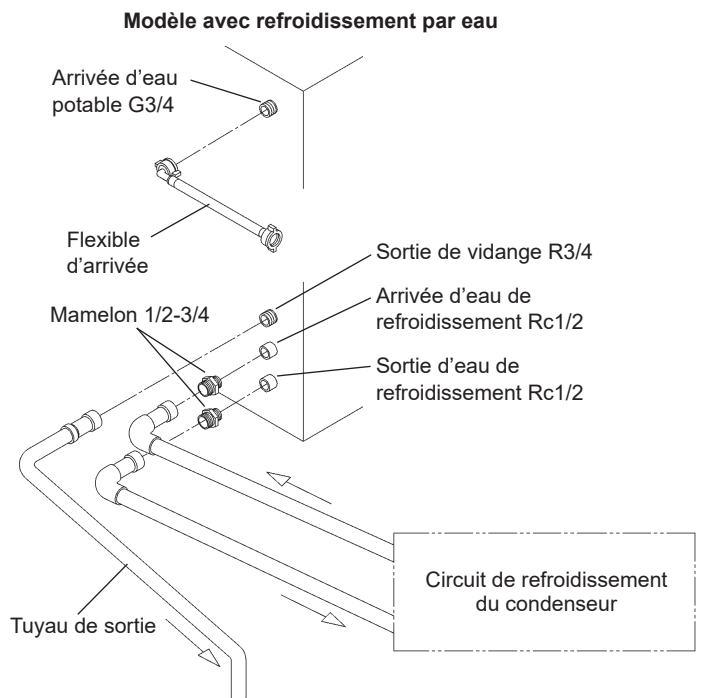
* Les branchements doivent être effectués en respectant les réglementations nationales ou locales en vigueur.

* Le diamètre minimal des tuyaux entre la tour de refroidissement et la machine à glace doit être de 20 mm afin de réduire la perte de pression même si les raccords de la machine ont un diamètre de 13 mm.

* La perte de pression dans le circuit d'eau à l'intérieur de la machine est de 5 à 6 m lorsque le débit de l'eau de refroidissement est de 4 à 5 l/min.

* Lors de la sélection d'une tour de refroidissement, se référer aux valeurs maximales suivantes du flux thermique dans le condenseur :

Modèle	IM-30CW/45W :	295 - 760 W
	IM-65W :	875 W
	IM-100/130W :	1 165 W
	IM-240W :	5 235 W



* Sélectionner une pompe de circulation selon les valeurs de flux thermique indiquées ci-dessus.

* Ne pas utiliser de pompe en cascade car le régulateur d'eau modifiera le flux et l'arrêtera lors du dégivrage.

[d] Branchements de la machine à glace

1) A l'aide d'une clé adaptée, serrer les mamelons 1/2-3/4 (accessoire) dans les raccords Rc1/2 à l'arrière de la machine à glace comme indiqué. Utiliser du ruban PTFE et/ou du mastic d'étanchéité adéquat pour former un joint étanche.

Remarque : Les produits d'étanchéité pour joints doivent être approuvés et adaptés à une utilisation avec de l'eau potable.

2) Raccorder deux des extrémités coudées du tuyau (accessoire) au mamelon 1/2-3/4 fixé sur la machine à glace, en veillant à placer correctement la rondelle d'étanchéité en caoutchouc. Serrer manuellement de manière à obtenir un raccordement étanche.

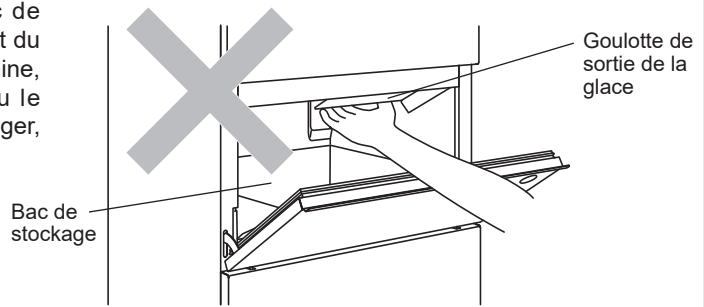
3) Raccorder le circuit de refroidissement du condenseur à l'extrémité libre des tuyaux (accessoire) raccordés aux mamelons 1/2-3/4 comme indiqué, et s'assurer que tous les joints soient étanches.

Remarque : En cas de filtrage ou de traitement de l'eau, veiller à ce que seule la section de fabrication de glaçons soit raccordée à l'alimentation en eau traitée, et non le condenseur.

II. CONSIGNES D'UTILISATION

⚠ ATTENTION

Ne pas mettre les mains dans la partie arrière du bac de stockage ni dans la goutte de la glace sur le haut du bac de stockage. De la glace risque de tomber de la machine, un bloc dur de glace peut brusquement se rompre, ou le mécanisme de fabrication de la glace peut brusquement bouger, et entraîner des blessures.



AVIS

Toutes les pièces sont réglées en usine. Tout mauvais réglage risque de provoquer une panne.

Après avoir arrêté l'appareil, attendre au moins 3 minutes avant de le remettre sous tension pour éviter d'endommager le compresseur.

En cas d'erreur (EG) ou si la pompe de vidange est cassée, l'unité s'arrête de fonctionner pour éviter tout débordement.

⚠ HYGIENE

Cette machine à glace est conçue pour produire de la glace alimentaire. Pour la maintenir dans un parfait état d'hygiène :

- * Se laver les mains avant de retirer la glace. Utiliser la pelle en plastique (accessoire) prévue à cet effet.
- * Le bac de stockage est destiné uniquement à la glace. Ne conserver rien d'autre dans ce bac, et ne pas y utiliser d'autres équipements électriques.
- * Avant d'utiliser la machine, nettoyer le bac de stockage (voir « III. 1. NETTOYAGE »).
- * Veiller à la propreté de la pelle. La nettoyer en utilisant un produit nettoyant neutre et la rincer soigneusement.
- * Une fois la glace retirée, fermer la porte pour éviter que des saletés, de la poussière ou des insectes ne s'introduisent dans le bac de stockage.

1. MISE EN MARCHÉ

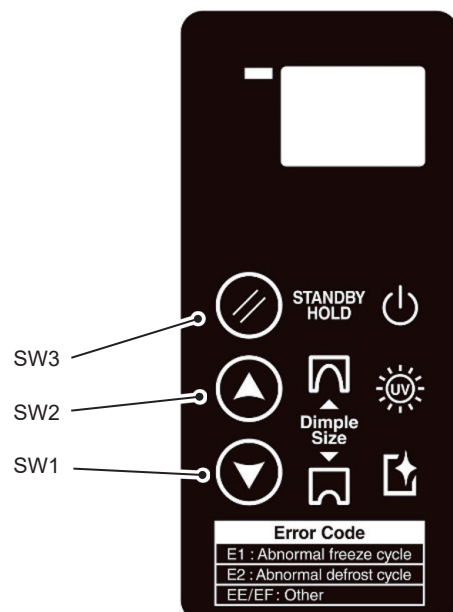
L'installateur met généralement la machine à glace en service pour mettre en route la production automatique de glace. Afin de garantir un fonctionnement en continu, s'assurer que :

- * Le robinet d'arrivée d'eau est ouvert et
- * La machine à glace est branchée sur l'alimentation électrique

Mode	Veille	Fabrication de glace	Contrôle de bacs
Écran			

2. CONTRÔLES

	Appuyer	Maintenir enfoncé
SW3	Réinitialise la machine, démarre le cycle de dégivrage.	Met la machine en mode veille, même fonction que le bac plein, toujours sous tension.
SW2	Augmentez la taille des fossettes.	Active le mode de désinfection UV.
SW1	Réduire la taille des fossettes.	Active le mode de nettoyage.



3. PREPARATION DU DISTRIBUTEUR DE GLACE EN VUE D'UN ENTREPOSAGE DE LONGUE DUREE**AVIS**

La machine à glace ne fonctionnera pas aux températures au-dessous de zéro. Pour prévenir tout dommage au niveau de la conduite d'arrivée d'eau, vidanger la machine à glace lorsque la température de l'air est inférieure à zéro.

▲HYGIENE

En cas de mise hors tension de la machine à glace pendant au moins deux jours, la vidanger pour éviter une contamination du circuit d'eau.

- 1) Débrancher la machine à glace ou couper l'alimentation électrique.
- 2) Fermer le robinet d'arrivée d'eau et retirer le tuyau d'arrivée.
- 3) Retirer toute la glace se trouvant dans le bac de stockage et nettoyer le bac.
- 4) Faire effectuer la vidange de la machine à glace par un technicien qualifié.

III. MAINTENANCE**1. NETTOYAGE****▲AVERTISSEMENT**

Avant toute opération de nettoyage ou d'entretien, débrancher l'alimentation électrique de la machine à glace.

Cet appareil ne doit pas être nettoyé à l'aide d'un jet d'eau.

▲ATTENTION

En cas d'utilisation d'un produit neutre ou d'hypochlorite de sodium, bien lire et comprendre les consignes fournies pour éviter des problèmes de santé potentiels.

AVIS

Faire nettoyer et désinfecter le système d'eau de la machine à glace par un technicien qualifié au moins deux fois par an et faire vérifier et nettoyer le condenseur au moins une fois par an.

Afin d'éviter tout dommage possible, ne pas nettoyer les pièces en plastique avec de l'eau à plus de 40 °C ou dans un lave-vaisselle.

[a] Extérieur de la machine et du bac

Essuyer l'extérieur au moins une fois par semaine à l'aide d'un chiffon doux et propre. Pour éliminer les traces de graisse ou les salissures, utiliser un chiffon imbibé d'un produit de nettoyage neutre. Après le nettoyage, traitez les surfaces extérieures avec un produit d'entretien pour l'acier inoxydable afin d'éviter la corrosion causée par des influences extérieures agressives.

[b] Nettoyage/désinfection de la pelle et de la poignée du bac de stockage (quotidiennement)

- 1) Mélanger 1 litre d'eau avec 4 ml de solution renfermant 5,25 % d'hypochlorite de sodium dans un récipient adapté, ou utiliser le désinfectant recommandé par Hoshizaki.
- 2) Laisser tremper la pelle dans la solution pendant plus de 3 minutes. Rincer à fond et agiter pour éliminer l'excédent de liquide.
Remarque : le séchage à l'aide d'un chiffon risque de provoquer une nouvelle contamination.
- 3) Utiliser un produit neutre pour nettoyer la poignée du bac de stockage. Rincer soigneusement.
- 4) Imbiber un chiffon propre de solution désinfectante et essuyer la poignée. Rincer avec de l'eau propre et sécher à l'aide d'un chiffon propre.

[c] Nettoyage/désinfection de l'intérieur du bac de stockage (hebdomadairement)

- 1) Ouvrir la porte du bac de stockage et retirer toute la glace.
- 2) Laver le revêtement du bac à l'aide d'un produit neutre et non abrasif. Rincer soigneusement.
- 3) Imbiber un chiffon propre de produit nettoyant neutre et essuyer les deux côtés de la pente et la surface intérieure de la porte. Enlever le produit nettoyant avec un chiffon propre et humide.
- 4) Mélanger 5 litres d'eau avec 18 ml de solution renfermant 5,25 % d'hypochlorite de sodium ou utiliser le désinfectant recommandé par Hoshizaki.
- 5) Imbiber une éponge ou un chiffon propre de solution et essuyer le revêtement du bac, la porte du bac et la pente.
- 6) Vous pouvez utiliser le reste de la solution pour désinfecter les ustensiles.

Remarque : après désinfection, ne pas sécher ni rincer. Laisser sécher à l'air.

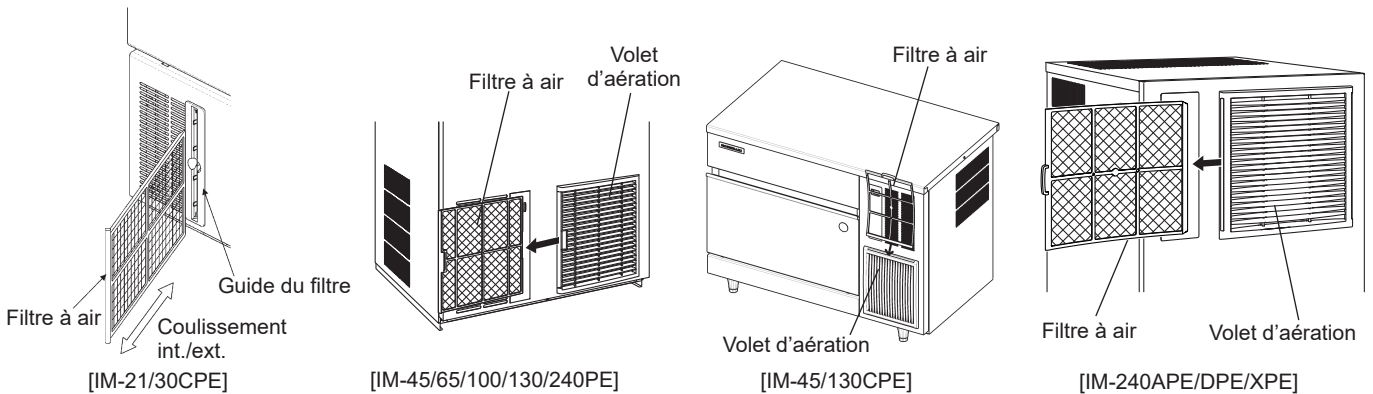
[d] Filtre à air (Modèle avec refroidissement à air uniquement)

Des filtres à air en plastique permettent de filtrer les impuretés et la poussière de l'air, et empêchent l'obturation du condenseur. En cas de colmatage des filtres, les performances de la machine à glace seront affectées. Déposer et nettoyer le(s) filtre(s) à air au moins deux fois par mois :

- 1) Retirer le filtre à air du guide du filtre [IM-30CPE] ou du volet d'aération [IM-45CPE/PE, 65PE, 130CPE/PE, 240PE] en le faisant coulisser.
- 2) Utiliser un aspirateur pour nettoyer le filtre à air. En cas de colmatage important, laver le filtre à air en utilisant une solution d'eau chaude et de produit nettoyant neutre.
- 3) Rincer et sécher soigneusement le filtre à air.

AVIS

Après nettoyage, veiller à remettre en place le filtre à air.

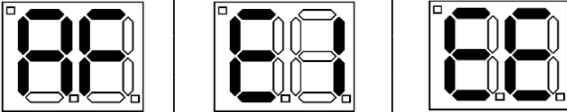


2. AVANT D'APPELER UN REPARATEUR

[a] Affichage d'un code d'erreur

⚠ AVERTISSEMENT

Si le code d'erreur « E » s'affiche à l'écran, cela peut indiquer une fuite de gaz. Ne pas toucher l'appareil. Ventiler la pièce et appeler immédiatement un réparateur.

Code	Type d'erreur			
AF	Avis de nettoyage du filtre à air			
AC	Avis de nettoyage du circuit d'eau			
AL	Avis de remplacement de la LED UV			
C2	Détection de haute pression			
E1	Erreur de congélation			
E2	Erreur de dégivrage			
EE	Autre erreur			

[b] Aucun affichage de code d'erreur

Si la machine à glace ne fonctionne pas correctement ou pas du tout et qu'aucun code d'erreur ne s'affiche à l'écran, effectuer les contrôles suivants avant d'appeler un réparateur :

- * L'appareil est sous tension.
- * Le robinet d'eau est ouvert.
- * Le filtre à air est propre (modèle refroidissement à air).
- * Le flux du circuit d'eau de refroidissement est correct (modèle refroidi par eau).

Pour tout autre conseil ou assistance, contacter le réparateur Hoshizaki le plus proche.

3. MISE AU REBUT

Respecter les réglementations locales relatives à la mise au rebut de cet appareil et de son gaz frigorigène. Avant de mettre l'appareil au rebut, enlever la porte pour éviter qu'un enfant ne reste emprisonné.

Mise au rebut correcte de ce produit :

Ce symbole indique que ce produit ne doit pas être mis au rebut avec d'autres déchets ménagers dans l'UE. Pour empêcher que le dépôt non contrôlé de déchets ne nuise à l'environnement ou à la santé, recycler ce produit de manière responsable de sorte que les ressources matérielles soient réutilisées durablement. Pour se débarrasser de l'appareil usagé, s'adresser aux services de collecte de déchets ou contacter le détaillant où le produit a été acheté. Ils peuvent prendre en charge ce produit et le recycler de manière respectueuse pour l'environnement.



4. GARANTIE

Hoshizaki garantit au propriétaire/à l'utilisateur d'origine que tous les produits portant la marque Hoshizaki seront exempts de tout défaut et/ou vice de fabrication au cours de la « période de garantie ». La garantie est effective à compter de la date d'installation.

La responsabilité de Hoshizaki aux termes de la garantie est limitée et exclut les interventions d'entretien de routine, de nettoyage, de maintenance essentielle et/ou les réparations découlant d'une utilisation abusive et d'installations non conformes aux directives de Hoshizaki.

Les réparations effectuées au titre de la garantie doivent être effectuées par un revendeur ou un réparateur agréé Hoshizaki utilisant des composants Hoshizaki d'origine.

FRANCAIS

Pour tout renseignement sur la garantie et les agents de service agréés, prendre contact avec le distributeur/fournisseur ou le centre de services Hoshizaki le plus proche :

Europe, Moyen-Orient, Afrique

Hoshizaki UK - Royaume-Uni, Irlande
TEL. : +44 845 456 0585
FAX : +44 132 283 8331
uksales@hoshizaki.uk

Hoshizaki Middle East - Moyen-Orient
TEL. : +971 48 876 612
FAX : +971 48 876 613
sales@hoshizaki.ae

Hoshizaki Deutschland - Allemagne, Suisse, Autriche
TEL. : +49 5121 697370
FAX : +49 5121 6973719
stoerung@hoshizaki.de

Hoshizaki Benelux - Pays-Bas, Belgique, Luxembourg
TEL. : +31 85 018 83 70
info@hoshizaki.nl

Hoshizaki France - France
TEL. : +33 1 48 63 93 80
FAX : +33 1 48 63 93 88
info@hoshizaki.fr

Hoshizaki Italia - Italie
TEL. : +39 (0)2 30557106
TEL. : +39 348 3022156
info@hoshizaki.it

Hoshizaki Iberia - Espagne, Portugal
TEL. : +34 93 478 09 52
FAX : +34 93 478 08 00
info@hoshizaki.es

Hoshizaki Europe B.V. - tous les autres pays d'Europe et d'Afrique
TEL. : +31 20 6918499
FAX : +31 20 6918768
sales@hoshizaki.nl

Asie, Océanie

Hoshizaki Singapore
TEL. : +65 6225 2612
FAX : +65 6225 3219
sales@hoshizaki.com.sg (ventes)
serviceadmin@hoshizaki.com.sg (support technique)

Hoshizaki Hong Kong
TEL. : +852 2866 2108
FAX : +852 2866 2109

Hoshizaki Taiwan
TEL. : +886 2 2706 8818
FAX : +886 2 2708 7999

Hoshizaki Lancer
TEL. : +61 8 8268 1388
FAX : +61 8 8268 1978

WICHTIGE SICHERHEITSHINWEISE

Diese Anleitung enthält Hinweise, die Sie auf Situationen aufmerksam machen sollen, die Tod, schwere Verletzungen oder Geräteschäden verursachen können.

▲WARNUNG	Kennzeichnet eine gefährliche Situation, die, wenn sie nicht vermieden wird, zum Tod oder zu schweren Verletzungen führen kann.
▲VORSICHT	Kennzeichnet eine gefährliche Situation, die, wenn sie nicht vermieden wird, zu leichten oder mittleren Verletzungen führen kann.
HINWEIS	Kennzeichnet eine gefährliche Situation, die, wenn sie nicht vermieden wird, zu Geräteschäden führen kann.
▲HYGIENE	Kennzeichnet wichtige Maßnahmen für Hygiene und Lebensmittelsicherheit.
WICHTIG	Kennzeichnet wichtige Informationen zu Gebrauch und Pflege des Gerätes.

Das in diesem Eisbereiter verwendete HFC-freie Kältemittel (Propan) ist nicht ozonschädigend und ökologisch nachhaltig, und wirkt sich nur wenig auf die globale Erwärmung aus.

▲WARNUNG	
Der Kältekreislauf dieses Gerätes enthält entflammbares Kältemittel; Installation, Handhabung, Wartung und Entsorgung dürfen deshalb nur von autorisierten Technikern ausgeführt werden.	
Das Kältemittel in diesem Eisbereiter ist entflammbar und im Kältesystem eingeschlossen. Obwohl das Kältemittel bei normalem Gebrauch nicht austritt, muss der Eisbereiter mit äußerster Sorgfalt gehandhabt werden, um das System in keiner Weise zu beschädigen.	
Falls das Kältesystem versehentlich beschädigt und dadurch Kältemittel freigesetzt wird:	
<ul style="list-style-type: none"> * In der Nähe keine Funkenquelle erzeugen. * In der Nähe keine elektrischen Schalter betätigen oder Stecker verwenden. * Kein offenes Feuer verwenden. * Den Bereich sofort durch Öffnen von Türen und/oder Fenstern lüften. * Den Kundendiensttechniker rufen. 	

WICHTIG	
Diese Broschüre ist ein integraler und wesentlicher Bestandteil des Produkts und ist deshalb vom Benutzer aufzubewahren.	
Bitte lesen Sie die Hinweise und Warnungen sorgfältig durch, da sie wichtige Informationen für die sachgemäße Installation, einen langen, sicheren Gebrauch und die Wartung des Produkts enthalten.	
Bitte heben Sie diese Bedienungsanleitung auf, damit Sie bei Bedarf darauf zurückgreifen können.	
Diese Produkte entsprechen Schutzklasse IP20.	

⚠️ WARNUNG

Dies ist ein Eisbereiter für den gewerblichen Einsatz, der ausschließlich für den vorgesehenen Zweck zu benutzen ist.

Jede andere Verwendung ist als Zweckentfremdung und somit als gefährlich anzusehen. Der Hersteller übernimmt keine Haftung oder Verantwortung für Schäden, die durch missbräuchliche, falsche oder unangemessene Verwendung verursacht werden.

Installation und erforderliche Standortverlegungen sind von qualifiziertem Personal in Übereinstimmung mit geltenden Vorschriften nach Angaben des Herstellers auszuführen.

Die Lüftungsöffnungen im Gerätegehäuse oder im Innern des Gerätes nicht blockieren.

Zum Beschleunigen des Abtauvorgangs ausschließlich die vom Hersteller empfohlenen mechanischen Geräte oder anderen Mittel verwenden.

Wie bei allen Elektrogeräten sind stets einige grundsätzliche Vorsichtsmaßnahmen zu beachten. Insbesondere:

- * Bei hoher Feuchtigkeit oder Nässe besteht Kurzschlussgefahr, wodurch ein elektrischer Schlag verursacht werden kann. Im Zweifelsfall ist der Netzstecker des Eisbereiters zu ziehen.
- * Das Stromkabel nicht beschädigen und nicht daran ziehen, um den Eisbereiter vom Stromnetz zu trennen.
- * Das Auswechseln des Netzkabels oder des Netzsteckers darf nur von einer qualifizierten Fachkraft ausgeführt werden.
- * Die elektrischen Komponenten und die Schalter nicht mit feuchten Händen berühren.
- * Dieses Gerät darf nicht von Personen (einschl. Kindern) benutzt werden, deren physische, sensorische oder mentale Fähigkeiten eingeschränkt sind oder über keine Erfahrung und kein Wissen verfügen. Es kann jedoch benutzt werden von Kindern ab 8 Jahren und Personen, deren physische, sensorische oder mentale Fähigkeiten eingeschränkt sind oder über keine Erfahrung und kein Wissen verfügen, wenn sie von einer für ihre Sicherheit verantwortlichen Person bei der Benutzung des Gerätes beaufsichtigt oder angeleitet werden.
- * Kinder dürfen nicht mit dem Gerät spielen.
- * Reinigungs- und Wartungsarbeiten dürfen nur von autorisiertem und geschultem Personal durchgeführt werden.
- * Am Eisbereiter dürfen keine Änderungen vorgenommen werden. Das Gerät darf nur von Fachpersonal zerlegt oder instand gesetzt werden.

Beim Aufstellen des Gerätes darauf achten, dass das Netzkabel nicht eingeklemmt oder beschädigt wird.

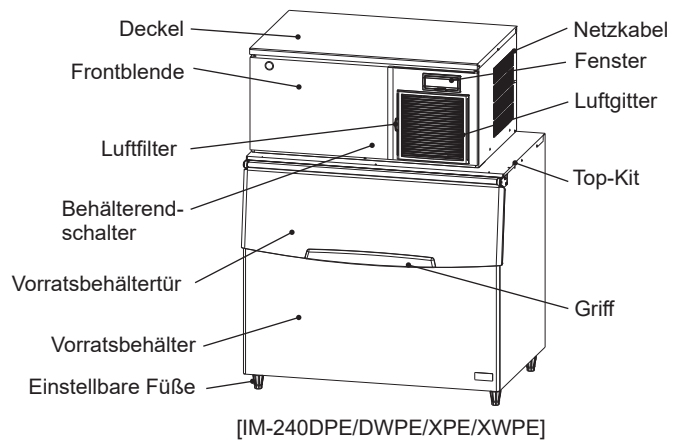
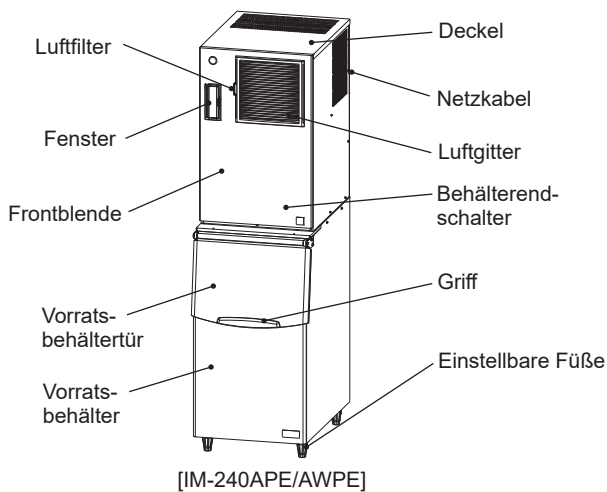
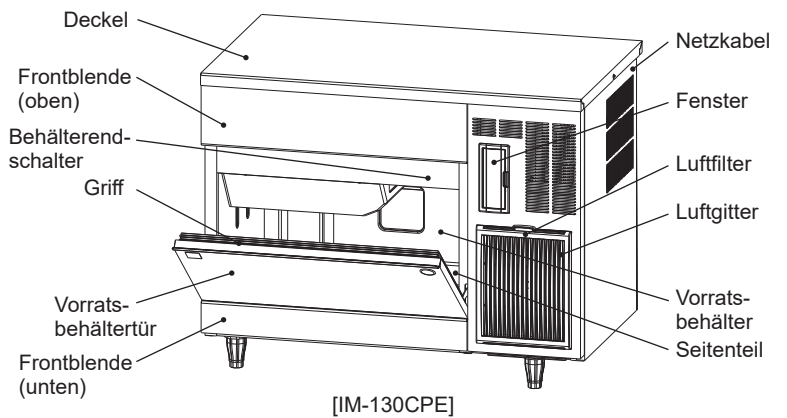
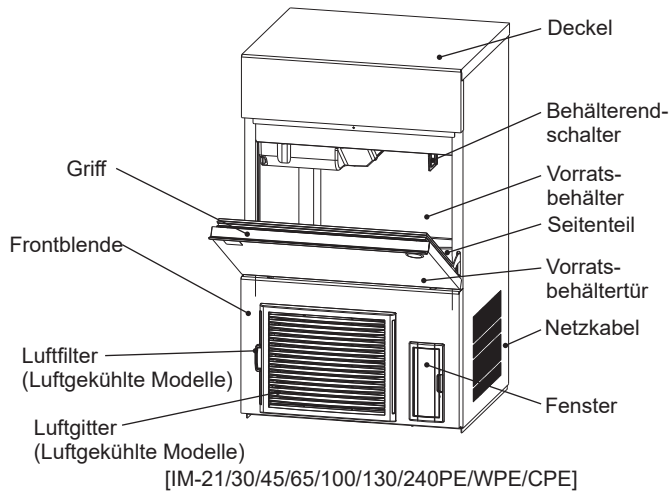
Hinter dem Gerät dürfen sich keine Steckdosenleisten oder tragbaren Netzgeräte befinden.



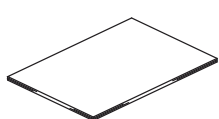
Dieses ISO 7010 W021-Symbol besagt:
Warnung: Brandgefahr / entflammbare Materialien

I. INSTALLATIONSANLEITUNG

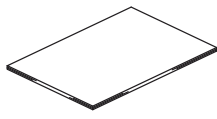
1. KONSTRUKTION



2. ZUBEHÖR



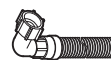
Bedienungsanleitung



Kurzanleitung



Zulaufschlauch



Ablaufschlauch



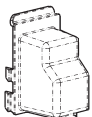
3/4-3/4-Stutzen



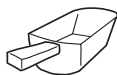
1/2-3/4-Stutzen



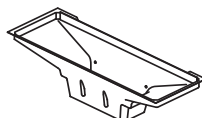
Gerätefuß



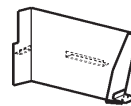
Steckerabdeckung



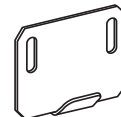
Schaufel



Eisschacht (Typ X)



Eisschacht (Typ A)



Montagehalterung



Schraube mit Unterlegscheibe



Drahtklemme



Schraube M8 x 16



Kunststoff-Unterlegscheibe



Mutter M8

DEUTSCH

Das Vorhandensein von UVC- und Ablaufpumpe variiert je nach Modell. Je nach Konfiguration können sie vorinstalliert sein oder weggelassen werden.

* Menge 1 Die Schlauchschelle ist in allen Ablaufpumpenmodellen enthalten, IM-21CPE enthält keine Füße. Kompatibilitätskits sind separat erhältlich.

[a] Steckerfertige Modelle

	IM-21/30/45CPE, IM-45/65/100/130/240PE	IM-30CWPE, IM-45/65/100/130/240WPE	IM-130CPE
Bedienungsanleitung	1	1	1
Kurzanleitung	1	1	1
Zulaufschlauch	1	3	1
Ablaufschlauch	1	1	1
3/4-3/4-Stutzen	-	-	1
1/2-3/4-Stutzen	-	2	-
Gerätefuß	4	4	5
Steckerabdeckung	1	1	1
Schaufel	1	1	1

[b] Modulare Modelle

	IM-130/240APE	IM-240AWPE	IM-240DPE	IM-240DWPE	IM-240XPE	IM-240XWPE
Bedienungsanleitung	1	1	1	1	1	1
Kurzanleitung	1	1	1	1	1	1
Zulaufschlauch	1	3	1	3	1	3
Ablaufschlauch	1	1	1	1	1	1
1/2-3/4-Stutzen	-	2	-	2	-	2
Steckerabdeckung	1	1	1	1	1	1
Eisschacht	1	1	-	-	1	1
Montagehalterung	2	2	2	2	2	2
Schraube mit Unterlegscheibe M5x12	2	2	2	2	-	-
Schraube mit Unterlegscheibe M4x10	-	-	-	-	4	4
Drahtklemme	-	-	-	-	2	2
Schraube M8x16	-	-	2	2	2	2
Kunststoff- Unterlegscheibe	-	-	2	2	4	4
Mutter M8	-	-	2	2	2	2

* Ablaufpumpe und UVC-Funktionen können als Ausstattungsoption vorhanden sein. Bitte wenden Sie sich an Ihren Händler/ Lieferanten oder an das nächstgelegene Hoshizaki-Servicebüro, um weitere Informationen zu erhalten.

3. AUSPACKEN

⚠️ WARNUNG

Kinder sollten keinen Zugang zum Verpackungsmaterial (Kunststoffbeutel und Polystyrol) haben, da dieses eine mögliche Gefahrenquelle darstellt.

⚠️ VORSICHT

Den Karton nicht an den Transportbändern anheben oder tragen.

Das Gerät beim manuellen Bewegen unten festhalten.

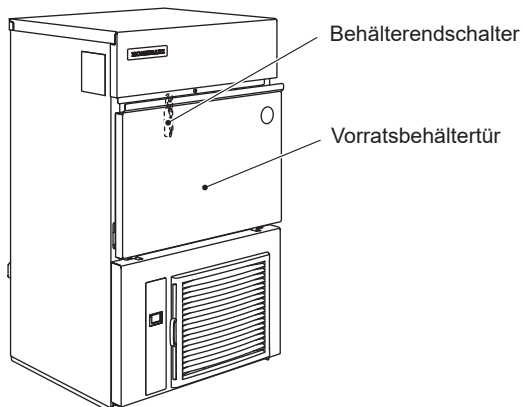
Beim Tragen des Gerätes stets Schutzhandschuhe tragen.

Um Verletzungen zu vermeiden, den Karton oder das ausgepackte Gerät stets zu zweit handhaben.

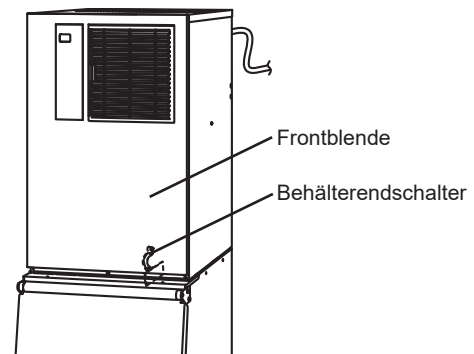
HINWEIS

Versandkarton, Bänder und anderes Verpackungsmaterial entfernen. Wenn Verpackungsmaterial im Eisbereiter gelassen wird, arbeitet diese nicht richtig.

- 1) Außenverpackung entfernen.
- 2) Nach Entfernen der Verpackung den Eisbereiter auf Transportschäden kontrollieren. Im Zweifelsfall den Eisbereiter nicht verwenden, sondern qualifiziertes Fachpersonal hinzuziehen.
- 3) Das Versandklebeband, mit dem die Tür und das Frontluftgitter fixiert sind, entfernen.
- 4) Die Kunststoff-Folie von der Außenseite entfernen. Wenn der Eisbereiter Sonne oder Wärme ausgesetzt ist, die Folie erst abziehen, nachdem der Eisbereiter abgekühlt ist.
- 5) Die Packung mit den Zubehörteilen herausnehmen. Den Inhalt anhand von „2. ZUBEHÖR“ kontrollieren.
- 6) Das Transportsicherungsband des Behälterenschalters entfernen.
 - a. Steckerfertige Modelle: Vorratsbehältertür öffnen und ins Innere greifen.
 - b. Modulare Modelle: Frontblende öffnen und Behälterenschalter vom Tropfenfang entfernen.



Steckerfertige Modelle
[IM-21/30/45/65/100/130/240PE/WPE/CPE]



Modulare Modelle
[IM-130/240APE/AWPE/DPE/DWPE]

Hinweis: Modulare Modelle benötigen einen Vorratsbehälter; Hoshizaki empfiehlt die folgenden:

- | | |
|---------------------------------------|---------|
| a. Typ A (IM-130/240APE/AWPE): | B-140SA |
| b. Typ D/X (IM-240DPE/DWPE/XPE/XWPE): | B-340SA |

4. AUFSTELLUNGORT

⚠️ WARNUNG

Dieser Eisbereiter eignet sich nicht für den Gebrauch im Freien.

Der Eisbereiter darf nicht neben Öfen, Grills oder anderen Geräten aufgestellt werden, die Hitze erzeugen.

Dieses Gerät eignet sich nicht für die Aufstellung in Räumen, in denen ggf. ein Wasserstrahl benutzt wird.

⚠️ VORSICHT

Der Aufstellort für den Eisbereiter muss stabil und eben sein.

HINWEIS

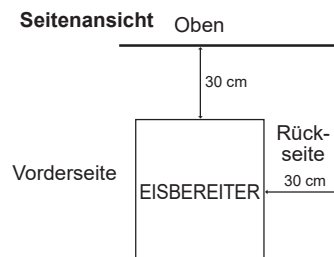
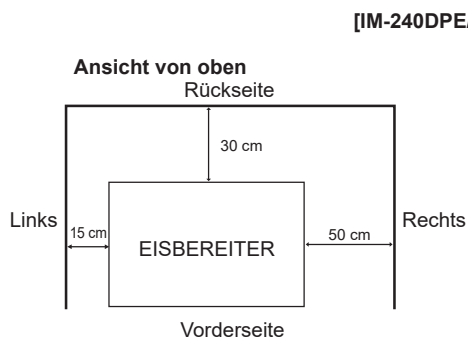
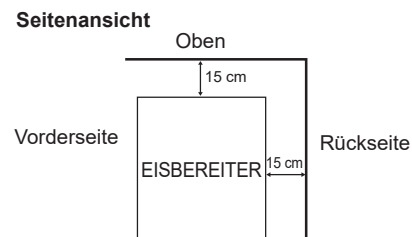
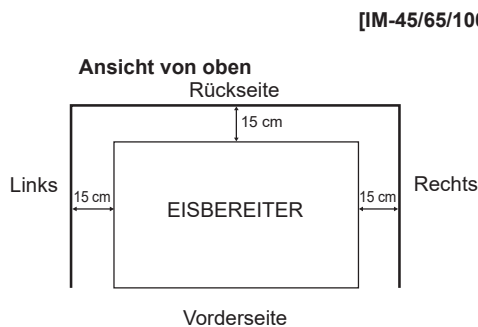
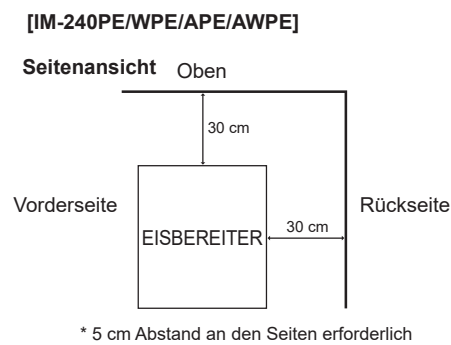
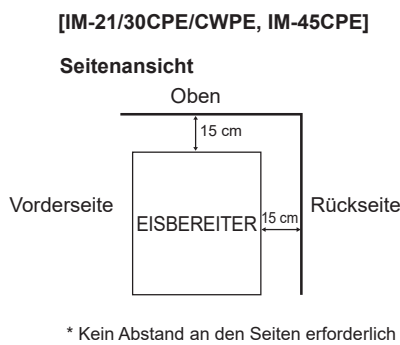
Keine Gegenstände auf den Deckel oder vor das Luftgitter des Eisbereiters stellen.

WICHTIG

Für Normalbetrieb muss die Raumtemperatur zwischen 1 °C und 40 °C liegen. Der Wasseranschluss ist nur für kaltes Wasser. Längerer Gebrauch des Eisbereiters bei Temperaturen außerhalb dieser normalen Temperaturgrenzwerte kann die Produktionsleistung beeinträchtigen.

Klimaklasse 5: Dieses Gerät wurde einer Prüfung der elektrischen Sicherheit für einen Betrieb bei einer maximalen Umgebungstemperatur von 43 °C mit 40 % relativer Luftfeuchtigkeit unterzogen. Die Raumtemperatur muss jedoch in der Regel zwischen 7 °C und 38 °C liegen.

Die unten angegebenen Abstände einhalten, um eine optimale Luftzirkulation zu gewährleisten und die Wartung bzw. Pflege des Gerätes zu erleichtern.



In Umgebungen mit hoher Feuchtigkeit kann sich Kondenswasser im Gerät bilden und auf den Boden tropfen. Das Gerät nicht auf Böden aufstellen, die durch Wasser beschädigt werden können.

Das Gerät nicht über längere Zeit direktem Sonnenlicht aussetzen.

5. INSTALLATION

⚠ VORSICHT

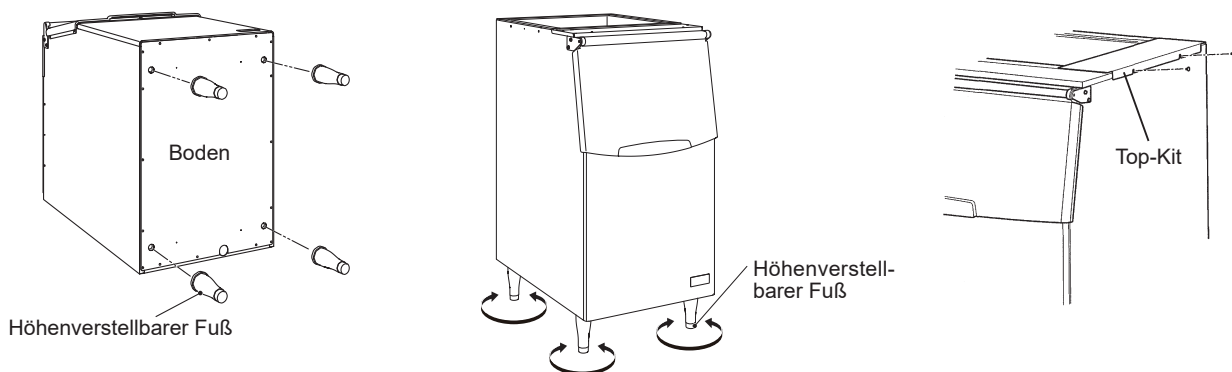
Eine falsche Installation kann zu Verletzungen von Menschen und Tieren oder zu Sachschäden führen, für die der Hersteller nicht haftet.

[a] Steckerfertiges Modell

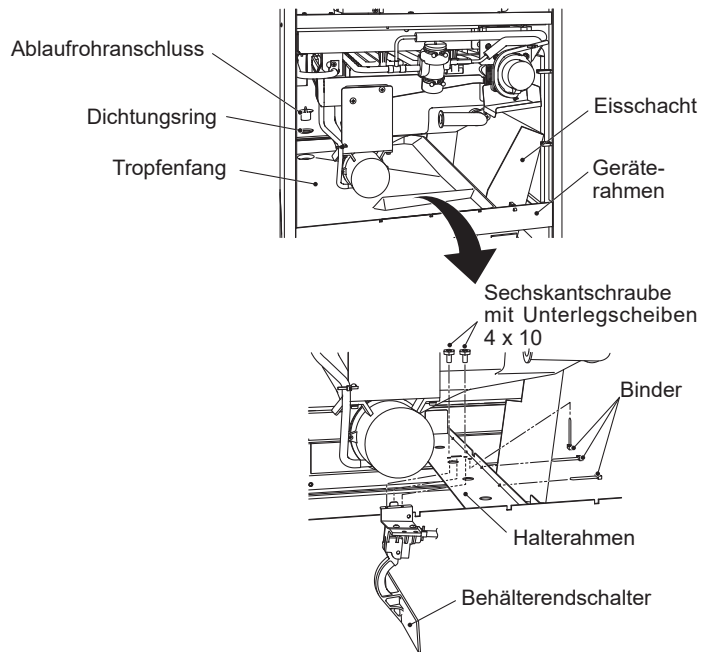
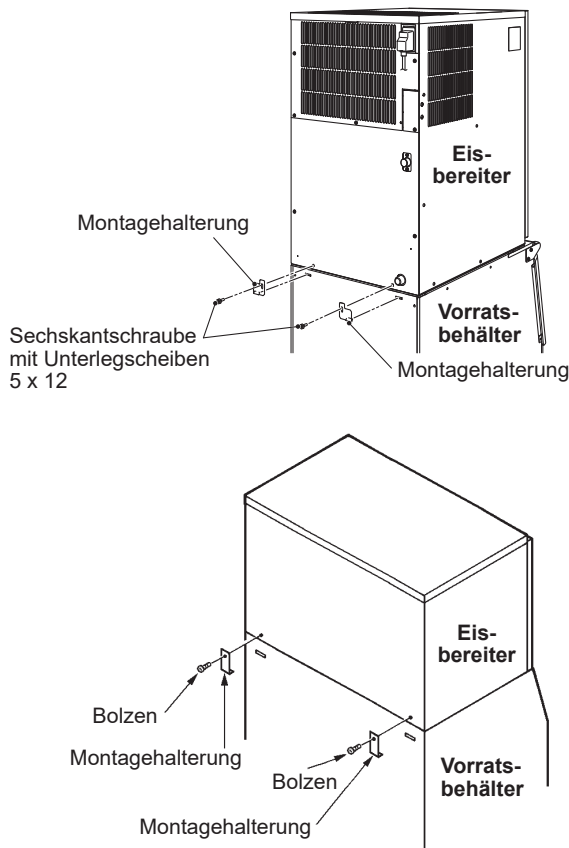
- 1) Platzieren Sie den Eisbereiter am ausgesuchten permanenten Aufstellungsort.
- 2) Die einstellbaren Gerätefüße (Zubehör) in den Gewindebohrungen auf der Unterseite des Eisbereiters einschrauben und das Gerät in Links-rechts- und Vorne-hinten-Richtung nivellieren.

[b] Modulares Modell

- 1) Den Vorratsbehälter vorsichtig auf die Rückseite legen, um Beschädigung zu vermeiden. Die vier verstellbaren Gerätefüße (Vorratsbehälterzubehör) in den vier Gewindebohrungen auf der Unterseite des Vorratsbehälters einschrauben.
- 2) Den Vorratsbehälter am ausgesuchten, permanenten Ort aufstellen und in Links-rechts- und Vorne-hinten-Richtung nivellieren.



- 3) Zur Installation des Top-Kit nach Bedarf die Schrauben auf der linken und rechten Seite des Vorratsbehälters verwenden.
- 4) Die Eisbereiterblenden entfernen. Die Rückwand muss zur Installation nicht abgenommen werden. Siehe „3. AUSPACKEN“.
- 5) Den Eisbereiter auf die Oberseite des Vorratsbehälters setzen. Darauf achten, den Eisbereiter nicht zu beschädigen.
- 6) Den Eisbereiter mit den mitgelieferten Montagehalterungen und Schrauben hinten am Vorratsbehälter befestigen.
- 7) Den Spalt zwischen dem Eisbereiter und dem Vorratsbehälter mit einem Dichtmittel abdichten, das für Lebensmittel unbedenklich ist.
- 8) Nur Modelltyp A: Ablaufrohranschluss und Tropfenfang herausnehmen. Den Behälterendschalter mit den beiden mitgelieferten Schrauben am Befestigungsrahmen befestigen. Kabel des Behälterendschalters mit den beiden Kabelbindern befestigen. Den Eisschacht auf den Geräterahmen setzen und den Tropfenfang wieder in die richtige Position bringen.
- 9) Die Eisbereiterblenden wieder an der richtigen Position anbringen.



[c] Modulares Modell mit Stapelung – Typ D / X

HINWEIS

Die Eisbereitermodelle prüfen. Ein Eisbereiter des Typs D und ein Eisbereiter des Typs X werden zum Stapeln von zwei Eisbereitern benötigt. Ein Eisbereiter des Typs D und zwei Eisbereiter des Typs X werden zum Stapeln von drei Eisbereitern benötigt. Der Eisbereiter des Typs D ist für die obere Einheit und der Typ X für die mittleren und unteren Einheiten konzipiert.

Die Eisbereiter des Typs D bzw. des Typs X sind mit zwei verschiedenen Behälterendschaltern ausgerüstet. Den Behälterendschalter des unteren (und mittleren) X-Typ-Eisbereiters nur verwenden, wenn Eisbereiter gestapelt werden. Der Behälterendschalter muss von der oberen Einheit entfernt werden. Falscher oder gar kein Anschluss kann schwere Beschädigung der Eisbereitereinheiten verursachen, die Ausfall zur Folge hat.

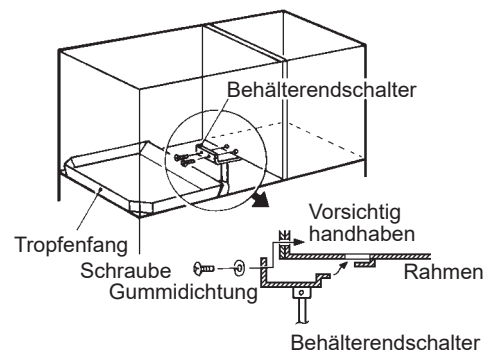
1) Den Vorratsbehälter wie in 1), 2), 3) und 4) unter „5. INSTALLATION“ beschrieben vorbereiten und aufstellen.

2) Die untere Einheit (Typ X) an der Oberseite des Vorratsbehälters befestigen.

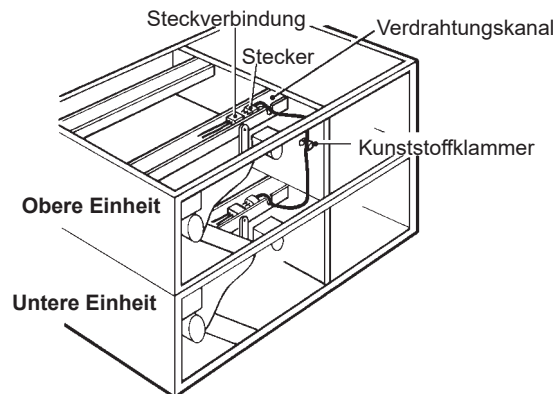
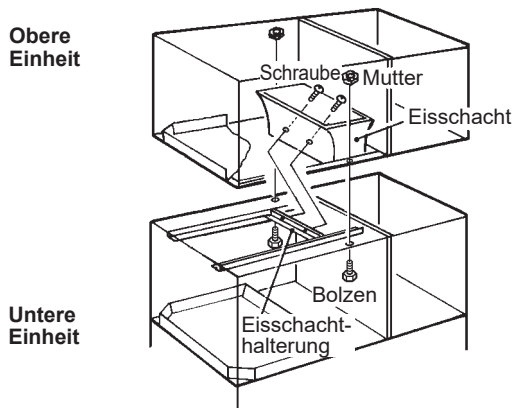
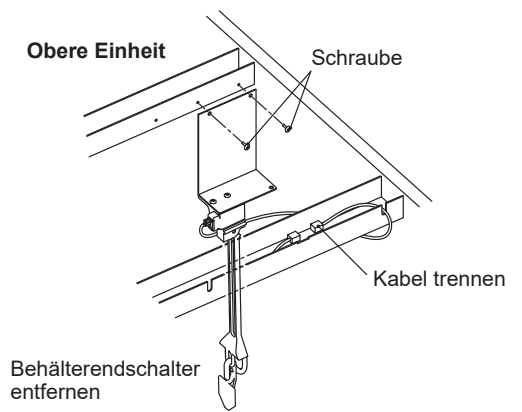
3) Die untere Einheit (Typ X) mit den mitgelieferten Montagehalterungen und Schrauben hinten am Vorratsbehälter befestigen.

4) Das Klebeband zur Transportsicherung des Behälterendschalters am Tropfenfang entfernen. Den Behälterendschalter am Rahmen, der sich am linken unteren Ende der Verflüssigereinheit befindet, befestigen und mit den zwei mitgelieferten Schrauben und den zugehörigen Unterlegscheiben sichern.

5) Vor dem Aufeinanderstapeln die Behälterendschalterkabel (mit Dreiwegestecker) von der oberen oder mittleren Einheit trennen. Die Schrauben und den Behälterendschalter entfernen. Beim Stapeln von zwei oder drei Eisbereitern wird der Schalter für die obere Einheit nicht benötigt. Nach dem Entfernen aufbewahren.



- 6) Die obere oder mittlere Einheit auf der unteren Einheit befestigen.
- 7) Die beiden Einheiten mit den beiden mitgelieferten Schrauben und den beiden zugehörigen Muttern befestigen.
- 8) Den Eisschacht (Zubehör der unteren oder mittleren Einheit) positionieren und mit den beiden Schrauben an der Halterung sichern.
- 9) Die Kabel (mit Dreiwegestecker), die sich im Verdrahtungskanal der unteren Einheit befinden, an die in Schritt 6) oben getrennte Steckverbindung der oberen Einheit anschließen. Die Kabel mit Hilfe der mitgelieferten Kunststoffklammer sichern.



- 10) Die Eisbereiterblenden wieder an der richtigen Position anbringen.

Hinweis: Werden drei Eisbereiter gestapelt, die Schritte 6) - 11) für die obere Einheit wiederholen. Bitte beachten, dass ungeachtet der Konfiguration nur EIN Behälterendschalter benötigt wird. Die Verlängerungskabel des Behälterendschalters sind bereits mit dem Stecker verdrahtet und im X-Typ-Verdrahtungskanal aufgerollt.

6. ELEKTRISCHE ANSCHLÜSSE

⚠ WARNUNG

DIESES GERÄT MUSS GEERDET WERDEN

Dieser Eisbereiter erfordert einen Schutzkontakt, der nationalen und lokalen Bestimmungen entspricht.

Um schwere Körperverletzungen und Gerätebeschädigungen infolge eines elektrischen Schlages zu vermeiden, ist ein ordnungsgemäßer Erdleiter am Eisbereiter anzubringen.

Die Stromversorgung ausschalten, bevor Wartungs-, Reparatur- oder Reinigungsarbeiten vorgenommen werden.

* Dieses Gerät benötigt eine separate Stromversorgung mit 220-240 V AC:

10 A [IM-21/30CPE/CWPE, 45CPE/PE/WPE, 65PE/WPE, 100/130CPE/PE/WPE/APE]

13 A [IM-240PE/WPE/APE/AWPE/DPE/DWPE/XPE/XWPE]

* Die Stromversorgung muss mit einem geeigneten Leistungsschutzschalter gesichert werden.

* Die Hauptsicherung im Schaltkasten ist für eine Stromstärke von 5 A ausgelegt und darf nur von einer autorisierten Fachkraft ausgewechselt werden.

* Normalerweise ist dies von einem Elektriker mit entsprechender Qualifikation auszuführen.

Nur für das Vereinigte Königreich und die Republik Irland

- * Die Leitungen im Netzkabel sind nach dem folgenden Farbcode gekennzeichnet:
Grün & Gelb = Erde
Blau = Nullleiter
Braun = spannungsführender Leiter

Die Farben der Adern im Netzkabel dieses Geräts stimmen möglicherweise nicht mit den Farbmarkierungen in Ihrem Stecker überein, daher bitte immer wie folgt vorgehen:

Der grün-gelbe Leiter ist an die Klemme anzuschließen, die mit dem Buchstaben E oder dem Symbol \perp bzw. grün oder gelb-grün markiert ist.

Die blaue Ader ist an die Klemme mit dem Buchstaben N anzuschließen.

Die braune Ader ist an die Klemme mit dem Buchstaben L anzuschließen.

7. WASSERZULAUF- UND WASSERABFLUSSANSCHLÜSSE

⚠ WARNUNG

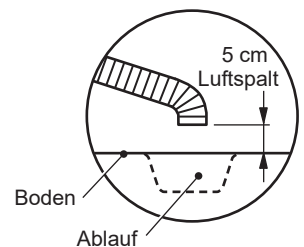


Nur an die kalte Trinkwasserversorgung anschließen.

- * Die Anschlüsse an die Hauptwasserversorgung müssen entsprechend den Anforderungen der aktuellen Wasserversorgungs- oder Wasseranschlussbestimmungen ausgeführt werden.
- * Wasser für die Eisbereitung muss Trinkwasser sein. Wo Ablagerungen aufgrund der Wasserqualität entstehen können:
- Es wird die Installation eines externen Filters oder Weichmachers empfohlen. Wenden Sie sich an Ihren örtlichen Wasseraufbereitungsspezialisten oder an den Hoshizaki-Kundendienst.
- Es wird der Wechsel zum Modus „volle Ablaufspülung“ empfohlen. Wenden Sie sich an Ihren Hoshizaki-Kundendienst.
- * In bestimmten Gebieten sind eine Installationsgenehmigung und die Dienste eines zugelassenen Installateurs erforderlich.
- * Die Bemessungstemperatur für den Wasserzulauf beträgt 5 bis 35 °C bei einem Bemessungsdruck von 0,05 bis 0,8 MPa (0,5 bis 8 bar) und einer erforderlichen Durchflussrate von 3,8 l/min. Bei einem höheren Druck als 0,8 MPa (8 bar) ist ein geeignetes Druckreduzierventil zu verwenden. Der Wasserzulauf am Hahn selbst darf NICHT gedrosselt werden.
- * Immer die mit dem Gerät gelieferte neue Schlauchgarnitur verwenden. Keine alten Schlauchgarnituren wiederverwenden.

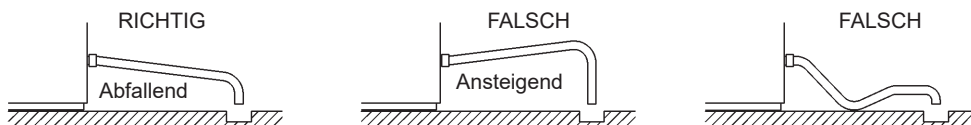
[a] Wasserablaufanschlüsse

- * Ablaufleitungen sind so zu verlegen, dass sie nicht direkt in das Abwassersystem führen. Vom Ablaufschlauchende des Eisbereiters sollte mindestens ein 5 cm hoher vertikaler Luftspalt zum Abwasseranschluss verbleiben.



[Modelle ohne Abwasserpumpe]

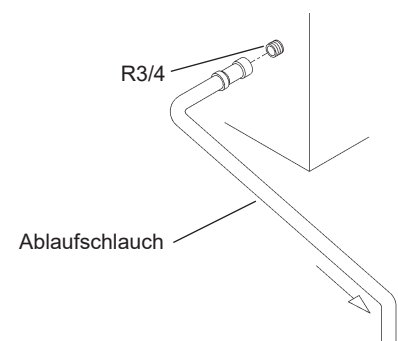
- * Der Abfluss des Wassers aus dem Eisbereiter erfolgt durch Schwerkraft, daher ist auf ein ausreichendes Gefälle des Ablaufschlauchs zu achten (siehe Abbildung).



- * Um einen Rücklauf in den Vorratsbehälter zu verhindern, muss der Ablaufschlauch wie gezeigt verlegt sein.

Außer IM-130CPE

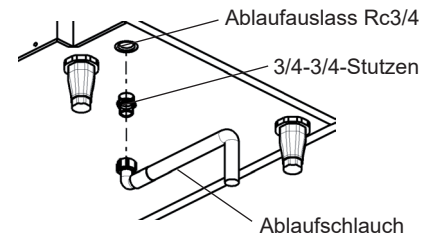
- Den grauen, flexiblen Ablaufschlauch (Zubehör) mit der Hand auf den R3/4-Anschluss auf der Rückseite des Eisbereiters festschrauben (siehe Abbildung). Dabei darauf achten, dass die Gummidichtung richtig liegt, damit die Verbindung dicht ist. Der Schlauch lässt sich auf die richtige Länge, d. h. der Position des Hauptabflusses entsprechend, zuschneiden.



IM-130CPE

- 1) Mit einem geeigneten Schlüssel oder Schraubenschlüssel den 3/4-3/4-Stutzen (Zubehör) in den Rc3/4-Anschluss auf der Unterseite des Eisbereiters einschrauben (siehe Abbildung). P.T.F.E.-Band und/oder ein geeignetes Dichtmittel sind zu verwenden, um eine dichte Verbindung zu erhalten.

Hinweis: Dichtmittel müssen für den Gebrauch mit Trinkwasser genehmigt und geeignet sein.



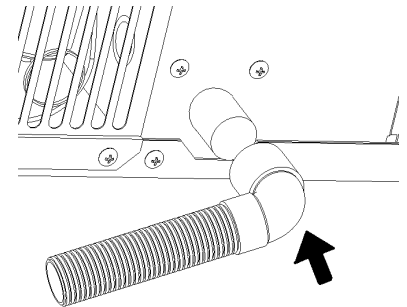
- 2) Den grauen, flexiblen Abflussschlauch (Zubehör) mit der Hand am 3/4-3/4-Stutzen anziehen (siehe Abbildung). Dabei darauf achten, dass die Gummidichtung richtig liegt, damit die Verbindung dicht ist. Der Schlauch lässt sich auf die richtige Länge, d. h. der Position des Abflaus entsprechend, zuschneiden.

[Modell mit Ablaufpumpe]

- 1) Das gewinkelte Ende des flexiblen Abflussschlauchs (Zubehör) an dem Steckanschluss (Durchmesser 22 mm) auf der Rückseite des Eisbereiters anbringen (siehe Abbildung). Dabei darauf achten, dass die Klemme über das gewinkelte Ende gesetzt wird, um eine dichte Verbindung zu gewährleisten.

- 2) Für den Abflussschlauch wird vor dem Übergang in die Vertikale ein sanftes Gefälle empfohlen.

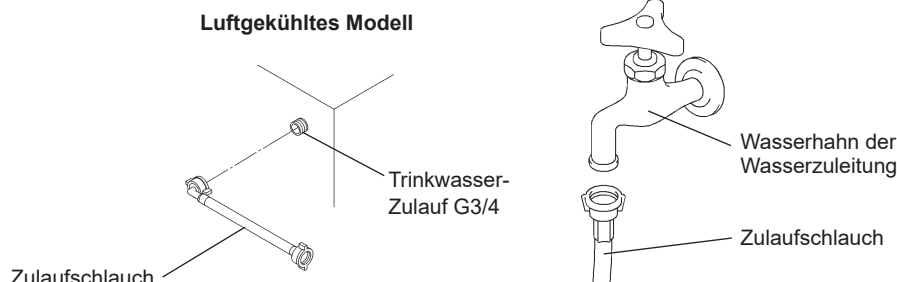
Hinweis: Maximale Höhe (H) 1,5 m bei einer Länge (L) von 5 m, maximale Länge (L) 15 m bei einer Höhe von 0,5 m



Der im Zubehörsatz enthaltene Schlauch ist 2 m lang, um die Länge des Abflussschlauchs zu erhöhen, ersetzen Sie bitte den Auslassschlauch durch einen Schlauch mit einem Durchmesser von 22 mm bis zu den oben angegebenen Maximalwerten.

[b] Trinkwasserversorgung – Luft- und wassergekühlte Modelle

- 1) Das abgewinkelte Ende des flexiblen Zulaufschlauches (Zubehör) auf den G3/4-Anschluss an der Rückseite des Eisbereiters schrauben. Dabei darauf achten, dass die Gummidichtung richtig liegt. Mit der Hand so anziehen, dass die Verbindung dicht ist.
- 2) Das andere Ende des Zulaufschlauches an den Wasserhahn schrauben und vor dem Anziehen mit der Hand (siehe oben) darauf achten, dass die Gummidichtung richtig liegt. Vorsichtshalber sollte das Absperrventil in Reichweite sein.



Hinweis: Um Leistungseinbußen oder Fehlfunktionen durch Kalkablagerungen zu vermeiden, sollte die Wasserversorgung eine Gesamthärte von nicht mehr als 150mg/l und einen Kieselsäuregehalt von nicht mehr als 30 mg/l aufweisen. Andernfalls ist die Installation einer geeigneten Wasseraufbereitungsanlage erforderlich.

[c] Verflüssigerwasserversorgung – wassergekühltes Modell

* Hoshizaki empfiehlt, einen wassergekühlten Verflüssiger an ein Kühlsystem mit geschlossenem Kreislauf anzuschließen, das einen Kühlturm oder Wasserkühler o. ä. verwendet. Das Auffüllen mit Wasser sollte über ein Kugelventil-/Unterbrecher-Tanksystem reguliert werden.

* Obgleich das Anschließen eines wassergekühlten Verflüssigers an eine Trinkwasserversorgungsleitung die Leistung des Eisbereiters nicht beeinträchtigt, führt dies in jedem Fall zu einem hohen Verbrauch/Verschwendung einer wertvollen Ressource und wird daher nicht empfohlen.

* Um eine sachgerechte Installation zu gewährleisten, sollten die Dienste eines zugelassenen Installateurs in Anspruch genommen werden.

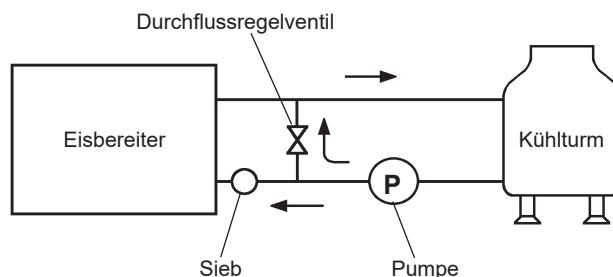
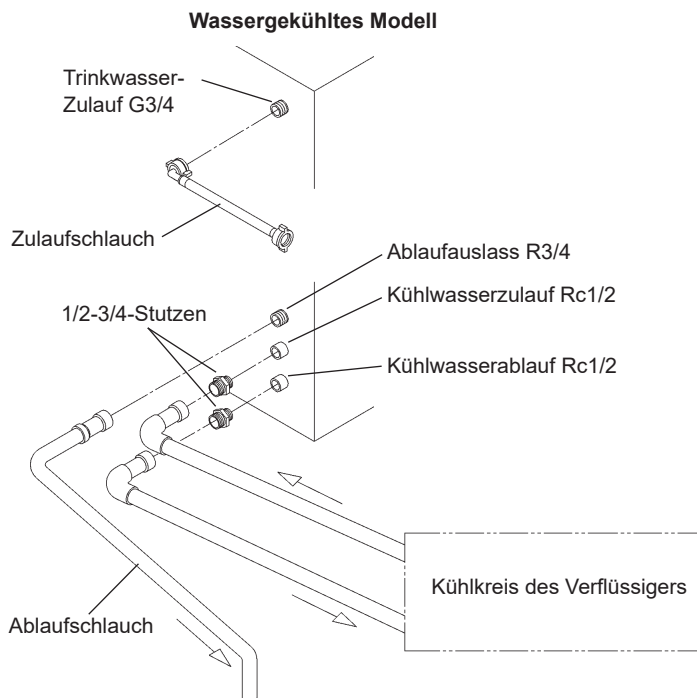
* Die Anschlüsse müssen den geltenden nationalen oder lokalen Vorschriften entsprechen.

* Rohre zwischen dem Kühlturm und dem Eisbereiter müssen mindestens 20 mm Durchmesser haben, um Druckverlust zu verringern, auch wenn die Anschlüsse des Eisbereiters nur 13 mm im Durchmesser sind.

* Der Druckverlust im Wasserkreislauf im Inneren der Einheit wird 5 bis 6 m betragen, wenn das Kühlwasser mit 4 bis 5 l/min umläuft.

* Bei der Auswahl eines Kühlturms muss auf folgende Spitzenwerte für den Wärmefluss im Verflüssiger geachtet werden:

Modell	IM-30CW/45W:	295 - 760 W
	IM-65W:	875 W
	IM-100/130W:	1165 W
	IM-240W:	5235 W



* Eine Umwälzpumpe wählen, die zu den obigen Werten des Wärmeflusses passt.

* Keine Kaskadenpumpe verwenden, da der Wasserregler dann den Fluss verändert und ihn während des Abtauzyklus stoppt.

[d] Eisbereiteranschlüsse

1) Mit einem geeigneten Schlüssel oder Schraubenschlüssel die 1/2-3/4-Stutzen (Zubehör) in die Rc1/2-Anschlüsse auf der Rückseite des Eisbereiters einschrauben (siehe Abbildung). P.T.F.E.-Band und/oder ein geeignetes Dichtmittel sind zu verwenden, um eine dichte Verbindung zu erhalten.

Hinweis: Dichtmittel müssen für den Gebrauch mit Trinkwasser genehmigt und geeignet sein.

2) Zwei der abgewinkelten Enden des flexiblen Zulaufschlauches (Zubehör) an dem 1/2-3/4-Stutzen am Eisbereiter anbringen; dabei auf korrektes Positionieren des Gummidichtrings achten. Mit der Hand so anziehen, dass die Verbindung dicht ist.

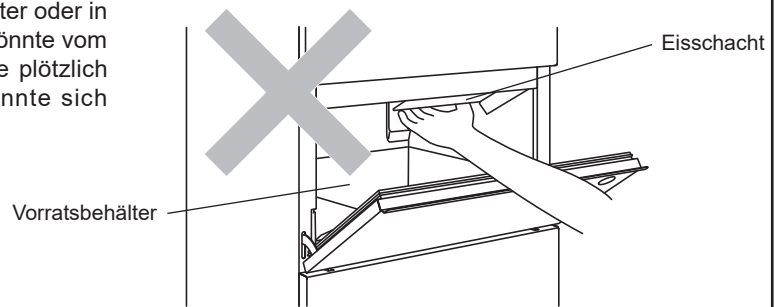
3) Den Kühlkreis des Verflüssigers mit dem freien Ende der flexiblen Schläuche (Zubehör) an den 1/2-3/4-Stutzen anbringen (siehe Abbildung); dabei auf Dichtigkeit aller Verbindungen achten.

Hinweis: Falls eine Filtrierung oder Aufbereitung benutzt wird, darf nur der Eisbereiterabschnitt an die aufbereitete Wasserzufuhr angeschlossen sein, nicht der Verflüssiger.

II. BEDIENUNGSANLEITUNG

⚠ VORSICHT

Nicht mit den Händen nach hinten in den Vorratsbehälter oder in den Eisschacht oben im Vorratsbehälter greifen. Eis könnte vom Eisbereiter herunterfallen, ein harter Eisblock könnte plötzlich herabfallen oder der Eisbereitermechanismus könnte sich plötzlich bewegen und Verletzungen verursachen.



HINWEIS

Alle Komponenten wurden werksseitig eingestellt. Unsachgemäße Einstellarbeiten können die ordnungsgemäße Funktion des Eisspenders beeinträchtigen.

Um eine Beschädigung des Verdichters zu vermeiden, nach Ausschalten des Eisbereiters mindestens 3 Minuten lang warten, bevor das Gerät wieder eingeschaltet wird.

Wenn ein Fehler (EG) vorliegt oder Ablaufpumpe defekt ist, stoppt die Maschine den Betrieb, um ein Überlaufen zu vermeiden.

⚠ HYGIENE

Dieser Eisbereiter ist für die Herstellung von Trinkwassereis konzipiert. Aus Gründen der Hygiene:

- * Vor der Eisentnahme die Hände waschen. Zum Entnehmen von Eis immer die Kunststoffschaufel (Zubehör) verwenden.
- * Der Vorratsbehälter ist ausschließlich für Eis zu verwenden. Nichts anderes im Vorratsbehälter aufbewahren und keine anderen elektrischen Geräte im Vorratsbehälter verwenden.
- * Vorratsbehälter vor der Verwendung reinigen (siehe „III. 1. REINIGUNG“).
- * Die Eisschaufel sauber halten. Stets ein neutrales Reinigungsmittel verwenden und gründlich abspülen.
- * Nach der Entnahme von Eis immer die Tür schließen, um das Eindringen von Schmutz, Staub oder Ungeziefer in den Vorratsbehälter zu verhindern.

1. INBETRIEBNAHME

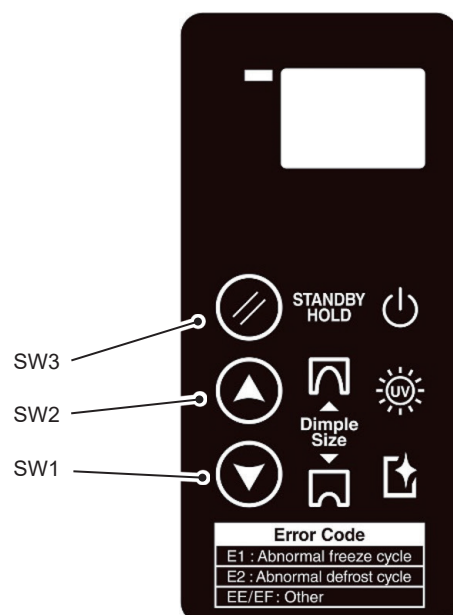
In der Regel nimmt der Installateur den Eisbereiter in Betrieb und startet die automatische Eisproduktion. Für Dauerbetrieb ist darauf zu achten:

- * Dass der Wasserhahn geöffnet ist und
- * dass der Eisbereiter an alle Versorgungsleitungen angeschlossen ist.

Modus	Stand-by	Eisherstellungs	Bin Control
Display			

2. STEUERUNG

	Drücken	Gedrückt halten
SW3	Setzt die Maschine zurück und startet den Abtauzyklus.	Versetzt die Maschine in den Standby-Modus, gleiche Funktion wie Vorratsbehälter voll, das Gerät ist noch eingeschaltet.
SW2	Vergrößert die Grübchengröße.	Aktiviert den UV-Desinfektionsmodus.
SW1	Verkleinert die Grübchengröße.	Aktiviert den Reinigungsmodus.



3. MASSNAHMEN FÜR DIE LANGFRISTIGE LAGERUNG DES EISBEREITERS

HINWEIS

Dieser Eisbereiter arbeitet nicht bei Temperaturen unter Null. Um Schaden an der Wasserzufuhrleitung zu vermeiden, ist das Wasser aus dem Eisbereiter zu entfernen, sobald die Lufttemperatur unter 0 °C sinkt.

▲HYGIENE

Wird der Eisbereiter zwei Tage oder länger ausgeschaltet, das Wasser aus dem Eisbereiter ablassen, um eine Verunreinigung des Wasserkreises zu vermeiden.

- 1) Netzstecker des Eisbereiters ausstecken oder die Stromversorgung trennen.
- 2) Den Wasserhahn zudrehen und den Zulaufschlauch entfernen.
- 3) Eis vollständig aus dem Vorratsbehälter entfernen und den Behälter reinigen.
- 4) Den Eisbereiter von professionellem, qualifiziertem Personal entleeren lassen.

III. WARTUNG

1. REINIGUNG

▲WARNUNG

Vor Durchführung von Reinigungs- oder Wartungsarbeiten immer den Netzstecker des Eisbereiters ziehen.

Dieses Gerät darf nicht mit einem Wasserstrahl gereinigt werden.

▲VORSICHT

Bei der Verwendung eines Neutralreinigers oder von Natriumhypochlorit die Hinweise zur Vermeidung von Gesundheitsschäden aufmerksam lesen und beachten.

HINWEIS

Den Eisbereiter mindestens zweimal im Jahr von qualifiziertem Fachpersonal reinigen und desinfizieren lassen; den Verflüssiger mindestens einmal im Jahr prüfen und reinigen lassen.

Um Beschädigungen zu vermeiden, Kunststoffteile nicht mit über 40 °C heißem Wasser oder in einem Geschirrspüler reinigen.

[a] Gerät und Außenseite des Vorratsbehälters

Alle Außenflächen mindestens einmal in der Woche mit einem sauberen, weichen Tuch abwischen. Fett- und Schmutzspuren mit einem feuchten Tuch und neutralem Reinigungsmittel entfernen. Behandeln Sie die Außenflächen nach der Reinigung mit einem Edelstahlpflegemittel, um Korrosion durch aggressive äußere Einflüsse zu verhindern.

[b] Reinigung/Desinfektion von Eisschaufel und Griff des Vorratsbehälters (täglich)

- 1) In einem geeigneten Behälter entweder 1 l Wasser mit 4 ml einer 5,25%igen Natriumhypochloritlösung mischen oder den empfohlenen Hoshizaki-Desinfizierer nach Gebrauchsanleitung verwenden.
- 2) Die Eisschaufel länger als 3 Minuten in der Lösung baden. Gründlich spülen und zum Entfernen der Restflüssigkeit gut schütteln.

Hinweis: Abtrocknen mit einem Tuch kann zu erneuter Verschmutzung führen.

- 3) Zum Abwaschen des Vorratsbehältergriffs einen Neutralreiniger benutzen. Gründlich spülen.
- 4) Ein sauberes Tuch mit der Desinfizierlösung tränken und den Griff abwischen. Benutzen Sie frisches Wasser und ein sauberes Tuch zum Abspülen bzw. Abwischen.

[c] Reinigung/Desinfektion der Innenflächen des Vorratsbehälters (wöchentlich)

- 1) Vorratsbehältertür öffnen und sämtliches Eis entfernen.
- 2) Trennwand des Vorratsbehälters mit einem neutralen, nicht scheuernden Reinigungsmittel waschen. Gründlich spülen.
- 3) Ein sauberes Tuch mit einem Neutralreiniger anfeuchten und beide Seiten der Seitenteile und die Innenseite der Tür abwischen. Reinigerückstände mit einem sauberen feuchten Tuch abwischen.
- 4) In einem geeigneten Behälter entweder 5 l Wasser mit 18 ml einer 5,25%igen Natriumhypochloritlösung mischen oder den empfohlenen Hoshizaki-Desinfizierer wie beschrieben verwenden.
- 5) Einen sauberen Schwamm oder ein Tuch mit der Lösung anfeuchten und Trennwand und Innenwände des Vorratsbehälters, Vorratsbehältertür und Seitenteile abwischen.
- 6) Mit der restlichen Lösung kann Zubehör desinfiziert werden.

Hinweis: Nach dem Desinfizieren weder trocken wischen noch spülen, sondern trocknen lassen.

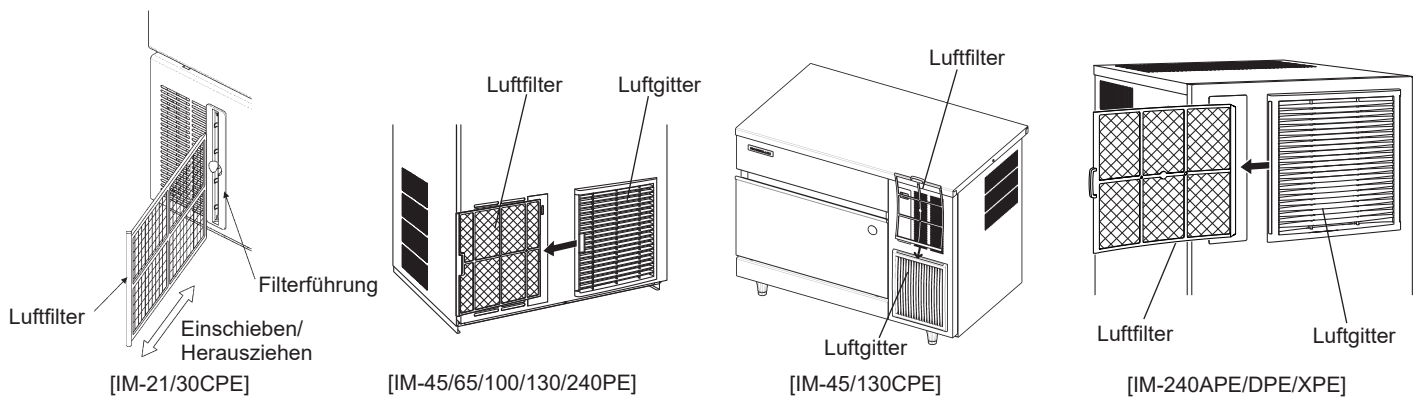
[d] Luftfilter (nur luftgekühlte Modelle)

Siebfilter aus Kunststoff entfernen Schmutz oder Staub aus der Luft und verhindern das Verstopfen des Verflüssigers. Wenn die Filter verstopfen, nimmt die Leistung des Eisbereiters ab. Die Luftfilter mindestens zweimal monatlich herausnehmen und reinigen:

- 1) Den Luftfilter von der Filterführung [IM-30CPE] oder vom Luftgitter [IM-45CPE/PE, 65PE, 130CPE/PE, 240PE] schieben.
- 2) Den Luftfilter mit einem Staubsauger reinigen. Falls er sehr verstopft ist, Luftfilter mit warmem Wasser und einem Neutralreiniger auswaschen.
- 3) Den Luftfilter gründlich abspülen und trocknen.

HINWEIS

Nach der Reinigung nicht vergessen, den Luftfilter wieder einzusetzen.



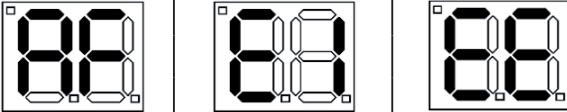
DEUTSCH

2. VOR ANRUF DES KUNDENDIENSTES

[a] Fehlercodeanzeige

⚠ WARNUNG

Wenn der Fehlercode „E“ auf der Anzeige aufleuchtet, gibt es möglicherweise Gaslecks. Gerät nicht berühren. Raum lüften und unverzüglich Kundendienst rufen.

Code	Bedeutung der Fehlercodes		
AF	Hinweis zum Reinigen des Luftfilters		
AC	Hinweis zum Reinigen des Wasserkreislaufs		
AL	Hinweis für den notwendigen Austausch der UV-LED		
C2	Anzeige von überhöhtem Druck		
E1	Gefrierfehler		
E2	Abtaufehler		
EE	Sonstiger Fehler		

[b] Keine Fehlercodeanzeige

Wenn der Eisbereiter nicht richtig oder gar nicht funktioniert und keine Fehlercodeanzeige aufleuchtet, kontrollieren Sie das Folgende, bevor Sie den Wartungsdienst anrufen:

- * Das Gerät ist mit dem Stromnetz verbunden.
- * Der Wasserhahn ist aufgedreht.
- * Der Luftfilter ist sauber (luftgekühltes Modell).
- * Der Kühlwasserkreislauf ist frei (wassergekühltes Modell).

Wenn Sie weitere Hilfe oder Rat benötigen, wenden Sie sich an Ihren Hoshizaki-Kundendienst.

3. ENTSORGUNG

Die gesetzlichen Bestimmungen zur Entsorgung dieses Gerätes und des enthaltenen Kältemittels beachten. Vor dem Verschrotten des Gerätes die Tür abnehmen, um zu vermeiden, dass sich Kinder im Gerät versehentlich einschließen.

Richtige Entsorgung dieses Gerätes:

Dieses Kennzeichen bedeutet, dass dieses Gerät in der EU nicht mit dem normalen Haushaltsmüll entsorgt werden darf. Um Schäden der Umwelt oder der menschlichen Gesundheit durch unkontrollierte Müllbeseitigung zu vermeiden, recyceln Sie das Gerät und fördern Sie damit die nachhaltige Wiederverwertung von stofflichen Ressourcen. Nutzen Sie die Rückgabe- und Sammelsysteme oder wenden Sie sich an den Händler, bei dem Sie das Gerät gekauft haben, um das gebrauchte Gerät zurückzugeben. Dort wird das Gerät der umweltfreundlichen Wiederverwertung zugeführt.



4. GARANTIE

Hoshizaki garantiert dem Originalbesitzer/-benutzer, dass alle Markenprodukte von Hoshizaki für die Dauer der „Garantiezeit“ frei von Material- und/oder Verarbeitungsfehlern sind. Die Garantie gilt ab dem Datum der Installation.

Die Haftung von Hoshizaki nach diesen Garantiebedingungen ist begrenzt. Sie schließt Routinewartung und Reinigung sowie Wartungs- und/oder Reparaturarbeiten aus, die durch missbräuchliche Benutzung oder fehlerhafte Installation verursacht worden sind.

Garantiereparaturen sind von einem zugelassenen Hoshizaki-Händler oder -Kundendienst mit Hoshizaki-Originalbauteilen auszuführen.

Für vollständige Informationen zur Gewährleistung und zugelassene Kundendienste wenden Sie sich bitte an Ihren Händler/
Lieferanten oder den nächstgelegenen Hoshizaki-Kundendienst:

Europa, Naher Osten, Afrika

Hoshizaki UK - Vereinigtes Königreich, Irland
TEL: +44 845 456 0585
FAX: +44 132 283 8331
uksales@hoshizaki.uk

Hoshizaki Middle East - Naher Osten
TEL: +971 48 876 612
FAX: +971 48 876 613
sales@hoshizaki.ae

Hoshizaki Deutschland - Deutschland, Schweiz, Österreich
TEL: +49 5121 697370
FAX: +49 5121 6973719
stoerung@hoshizaki.de

Hoshizaki Benelux - Niederlande, Belgien, Luxemburg
Tel.: +31 85 018 83 70
info@hoshizaki.nl

Hoshizaki France - Frankreich
TEL: +33 1 48 63 93 80
FAX: +33 1 48 63 93 88
info@hoshizaki.fr

Hoshizaki Italia - Italien
TEL: +39 (0)2 30557106
TEL: +39 348 3022156
info@hoshizaki.it

Hoshizaki Iberia - Spanien, Portugal
TEL: +34 93 478 09 52
FAX: +34 93 478 08 00
info@hoshizaki.es

Hoshizaki Europe B.V. - alle anderen Länder innerhalb Europa
und Afrika
TEL: +31 20 6918499
FAX: +31 20 6918768
sales@hoshizaki.nl

Asien, Ozeanien

Hoshizaki Singapore
TEL: +65 6225 2612
FAX: +65 6225 3219
sales@hoshizaki.com.sg (Vertrieb)
serviceadmin@hoshizaki.com.sg (technische Unterstützung)

Hoshizaki Hong Kong
TEL: +852 2866 2108
FAX: +852 2866 2109

Hoshizaki Taiwan
TEL: +886 2 2706 8818
FAX: +886 2 2708 7999

Hoshizaki Lancer
TEL: +61 8 8268 1388
FAX: +61 8 8268 1978

NEDERLANDS

BELANGRIJKE VEILIGHEIDSINFORMATIE

Overall in deze handleiding treft u opmerkingen aan die uw aandacht willen vestigen op situaties die zouden kunnen resulteren in overlijden, ernstig letsel of schade aan de machine.

▲WAARSCHUWING	Geeft een gevaarlijke situatie aan die, als deze niet wordt vermeden, zou kunnen resulteren in overlijden of ernstig letsel.
▲VOORZICHTIG	Geeft een gevaarlijke situatie aan die, als deze niet wordt vermeden, zou kunnen resulteren in licht of middelzwaar letsel.
LET OP	Geeft een gevaarlijke situatie aan die, als deze niet wordt vermeden, zou kunnen resulteren in schade aan de machine.
▲HYGIËNE	Geeft belangrijke voorzorgsmaatregelen aan met betrekking tot de hygiëne en voedselveiligheid.
BELANGRIJK	Geeft belangrijke informatie aan over het gebruik en de verzorging van de machine.

Deze ijsmachine gebruikt een HFC-vrij koelmiddel (propaan) dat niet schadelijk is voor de ozonlaag, duurzaam is en een zeer beperkt aardopwarmingsvermogen heeft.

▲WAARSCHUWING
Het koelsysteem van deze ijsmachine bevat een ontvlambaar koelmiddel; installatie, gebruik, onderhoud en verwijdering mogen daarom uitsluitend worden uitgevoerd door erkende technici.
Het koelmiddel in deze ijsmachine is ontvlambaar en verzegeld in het koelsysteem. Hoewel het koelmiddel onder normale omstandigheden niet lekt, dient u de ijsmachine met de grootst mogelijke zorg te behandelen om te voorkomen dat u het systeem beschadigt.
In het geval van onopzettelijke schade aan het koelsysteem waardoor koelmiddel wegloopt: * Creëer geen ontstekingsbron in de buurt. * Bedien geen elektrische schakelaars of stopcontacten in de buurt. * Gebruik geen naakte vlam. * Ventileer de ruimte direct door het openen van deuren en/of ramen. * Bel een servicetechnicus.

BELANGRIJK
Dit boekje vormt een integraal en essentieel onderdeel van het product en moet goed worden bewaard door de gebruiker.
Lees de richtlijnen en waarschuwingen in dit boekje zorgvuldig door, aangezien deze zijn bedoeld om de installateur/gebruiker te voorzien van essentiële informatie voor een correcte installatie, alsmede voor een veilig gebruik en onderhoud van het product op de lange termijn.
Bewaar dit boekje zodat u het later, indien nodig, opnieuw kunt raadplegen.
Deze producten zijn IP20-geclassificeerd.

▲WAARSCHUWING

Dit is een ijsmachine voor commerciële doeleinden en dit apparaat dient uitsluitend te worden gebruikt voor de toepassingen waarvoor het is ontworpen.

Enige andere vorm van gebruik wordt als ongeschikt en dus gevaarlijk beschouwd. De fabrikant kan niet aansprakelijk of verantwoordelijk worden gesteld voor enige schade die ontstaat door ongeschikt, incorrect en onredelijk gebruik.

De installatie en eventuele verplaatsing van de ijsdispenser mag uitsluitend door gekwalificeerd personeel en overeenkomstig de plaatselijk geldende voorschriften worden uitgevoerd, waarbij de instructies van de fabrikant dienen te worden gevolgd.

Houd ventilatieopeningen, zowel in de behuizing van de machine als in de inbouwstructuur, vrij van obstakels.

Gebruik buiten door de fabrikant voorgestelde apparaten, geen apparaten of andere middelen om het ontdooiproces te versnellen.

Bij het gebruik van elektrische apparaten moeten bepaalde regels in acht worden genomen. In het bijzonder:

- * Vocht en hoge luchtvochtigheid verhogen de kans op kortsluiting en elektrische schokken. Trek de stekker van de ijsmachine uit het stopcontact als u niet zeker bent van de condities in de ruimte waar de ijsmachine is geplaatst.
- * Voorkom beschadiging van de voedingskabel en trek uitsluitend aan de stekker en niet aan de voedingskabel zelf als u de ijsmachine van de netvoeding wilt loskoppelen.
- * Wanneer de netvoedingskabel en/of stekker vervangen moet worden, mag dit alleen worden gedaan door een erkend onderhoudsmonteur.
- * Raak de elektrische onderdelen of de schakelaars niet met vochtige handen aan.
- * Dit apparaat is niet bedoeld om te worden gebruikt door personen (waaronder kinderen) met een verminderde lichamelijke, zintuiglijke of mentale capaciteit of een gebrek aan ervaring en kennis. Het kan echter wel worden gebruikt door kinderen vanaf 8 jaar en door personen met een verminderde lichamelijke, zintuiglijke of mentale capaciteit of een gebrek aan ervaring en kennis, mits zij onder toezicht staan van een persoon die verantwoordelijk is voor hun veiligheid of deze persoon hen instrueert hoe het apparaat te gebruiken.
- * Kinderen mogen niet met het apparaat spelen.
- * Reiniging en gebruikersonderhoud mag niet zonder toezicht door kinderen worden uitgevoerd.
- * Probeer niet de ijsmachine aan te passen. Alleen bevoegd personeel mag het apparaat demonteren of repareren.

Zorg er bij het plaatsen van het apparaat voor dat het snoer niet bekneld of beschadigd raakt.

Plaats geen draagbare stopcontacten of draagbare stroomvoorzieningen aan de achterkant van het apparaat.

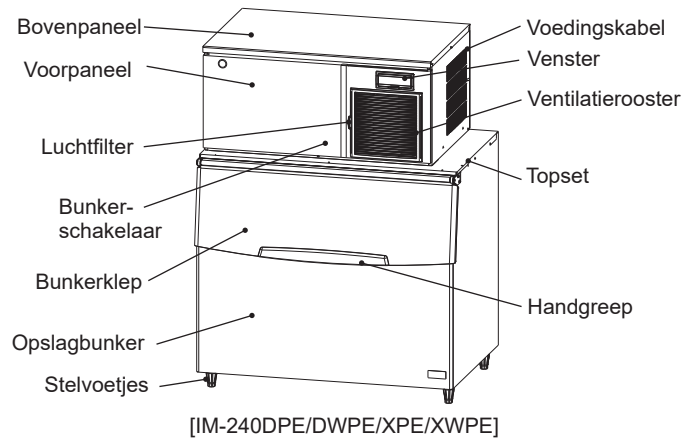
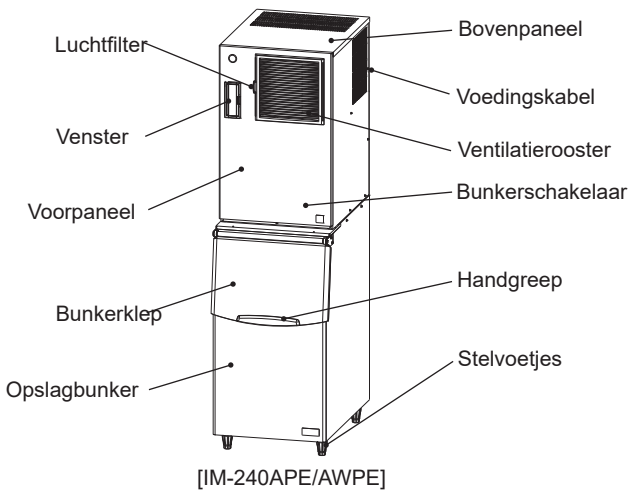
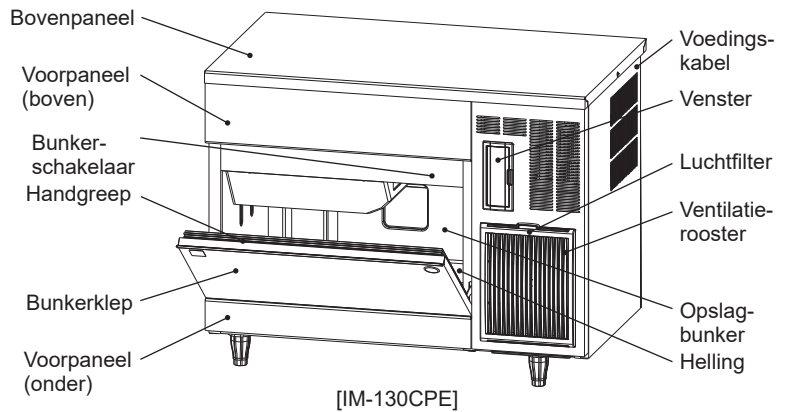
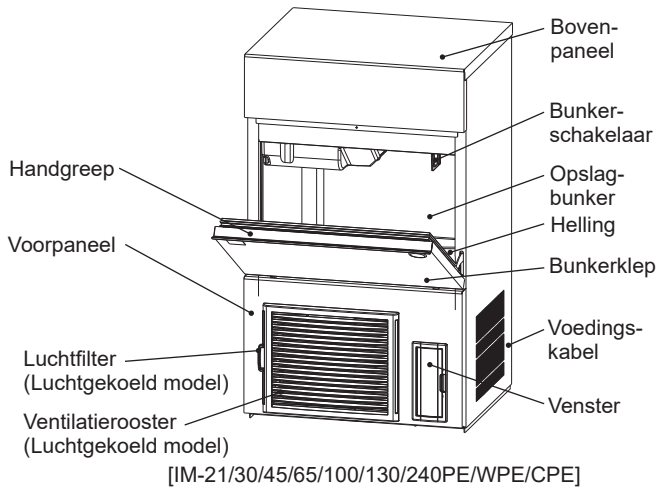


De betekenis van dit ISO 7010 W021-symbool is:
 Waarschuwing: brandgevaar / ontvlambare materialen

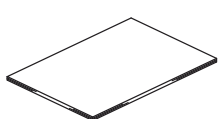
NEDERLANDS

I. INSTALLATIE-INSTRUCTIES

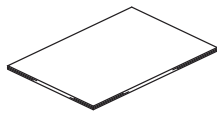
1. CONSTRUCTIE



2. ACCESSOIRES



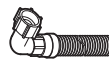
Gebruiksaanwijzing



Beknopte starthandleiding



Toevoerslang



Afvoerslang



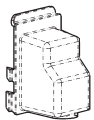
3/4-3/4-verlooppippen



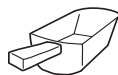
1/2-3/4-verlooppippen



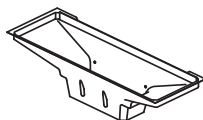
Poot



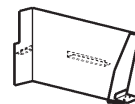
Connectorpaneel



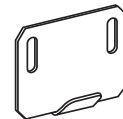
Ijsschep



Uitvalschacht (type X)



Uitvalschacht (type A)



Bevestigingsbeugel



Bout met onderlegging



Draadklem



Bout M8 x 16



Plastic sluitring



Moer M8

De aanwezigheid van UVC- en afvoerpompcomponenten verschilt per model; ze kunnen vooraf zijn geïnstalleerd of weggelaten, afhankelijk van de specifieke configuratie.

* 1 Slangklem inbegrepen in alle modellen afvoerpompen, IM-21CPE bevat geen poten. Compatibiliteitskits worden apart verkocht.

[a] Modellen met ingebouwde opslagbunker

	IM-21/30/45CPE, IM-45/65/100/130/240PE	IM-30CWPE, IM-45/65/100/130/240WPE	IM-130CPE
Gebruiksaanwijzing	1	1	1
Beknopte starthandleiding	1	1	1
Toevoerslang	1	3	1
Afvoerslang	1	1	1
3/4-3/4-verloopnippel	-	-	1
1/2-3/4-verloopnippel	-	2	-
Poot	4	4	5
Connectorpaneel	1	1	1
IJsschep	1	1	1

[b] Modellen met losse opslagbunker

	IM-130/240APE	IM-240AWPE	IM-240DPE	IM-240DWPE	IM-240XPE	IM-240XWPE
Gebruiksaanwijzing	1	1	1	1	1	1
Beknopte starthandleiding	1	1	1	1	1	1
Toevoerslang	1	3	1	3	1	3
Afvoerslang	1	1	1	1	1	1
1/2-3/4-verloopnippel	-	2	-	2	-	2
Connectorpaneel	1	1	1	1	1	1
Uitvalschacht	1	1	-	-	1	1
Bevestigingsbeugel	2	2	2	2	2	2
Bout met onderlegging M5x12	2	2	2	2	-	-
Bout met onderlegging M4x10	-	-	-	-	4	4
Draadklem	-	-	-	-	2	2
Bout M8x16	-	-	2	2	2	2
Plastic sluitring	-	-	2	2	4	4
Moer M8	-	-	2	2	2	2

* Afvoerpomp en UVC-functies kunnen als optionele kits worden geïnstalleerd. Neem contact op met uw dealer/leverancier of het dichtstbijzijnde Hoshizaki-servicekantoor voor meer informatie.

3. UITPAKKEN

⚠ WAARSCHUWING

Kinderen moeten buiten het bereik van het verpakkingsmateriaal (plastic zakken en geëxpandeerd polystyreen) worden gehouden aangezien dit mogelijke bronnen van gevaar zijn.

⚠ VOORZICHTIG

Til de doos niet op en verplaats deze niet met behulp van de transportbanden.

Wanneer u het apparaat handmatig verplaatst, dient u de onderkant van de ijsmachine vast te houden.

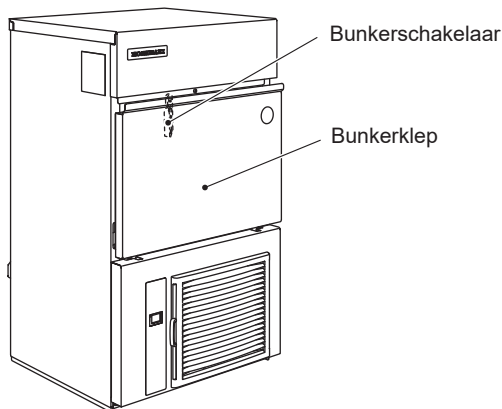
Draag altijd beschermende handschoenen bij het dragen van de machine.

Werk met zijn tweeën bij het verplaatsen van de doos of de uitgekakte machine om letsel te voorkomen.

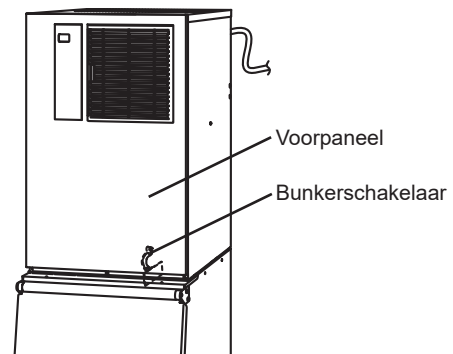
LET OP

Verwijder kartonnen doos, tape en ander verpakkingsmateriaal. Als er verpakkingsmateriaal achterblijft in de ijsmachine, werkt deze niet goed.

- 1) Verwijder de buitenverpakking.
- 2) Verwijder alle verpakking en controleer of de ijsmachine in goede staat verkeert. Gebruik de ijsmachine niet in geval van twijfel, maar raadpleeg bevoegd servicepersoneel.
- 3) Verwijder de transporttape waarmee de bunkerklep en het ventilatierooster aan de voorzijde zijn vastgezet.
- 4) Verwijder de beschermende folie van de buitenkant van de machine. Als de ijsmachine is blootgesteld aan de zon of aan hitte, verwijdert u de folie nadat de ijsmachine is afgekoeld.
- 5) Verwijder het pakket met de accessoires. Controleer de inhoud aan de hand van "2. ACCESSOIRES".
- 6) Verwijder de transporttape waarmee de bunkerschakelaar is vastgezet.
 - a. Modellen met ingebouwde opslagbunker: bunkerklep openen en kijken waar schakelaar met tape zit.
 - b. Modellen met losse opslagbunker: voorpaneel openen en bunkerschakelaar uit lekbak verwijderen.



Modellen met ingebouwde opslagbunker
[IM-21/30/45/65/100/130/240PE/WPE/CPE]



Modellen met losse opslagbunker
[IM-130/240APE/AWPE/DPE/DWPE]

Opmerking: modellen met losse opslagbunker hebben een aparte opslagbunker nodig. Hoshizaki raadt de volgende bunkers aan:

- | | |
|--|---------|
| a. Type A (IM-130/240APE/AWPE): | B-140SA |
| b. Type D/X (IM-240DPE/DWPE/XPE/XWPE): | B-340SA |

4. LOCATIE

⚠ WAARSCHUWING

Deze ijsmachine is niet bestemd voor gebruik buitenshuis.

De ijsmachine mag niet naast een oven, grill of andere apparatuur worden geplaatst die veel warmte afgeeft.

Deze machine is niet geschikt om in een ruimte te worden geïnstalleerd die met een waterstraal wordt schoongespoten.

⚠ VOORZICHTIG

De ijsmachine moet waterpas op een stevige ondergrond worden geplaatst.

LET OP

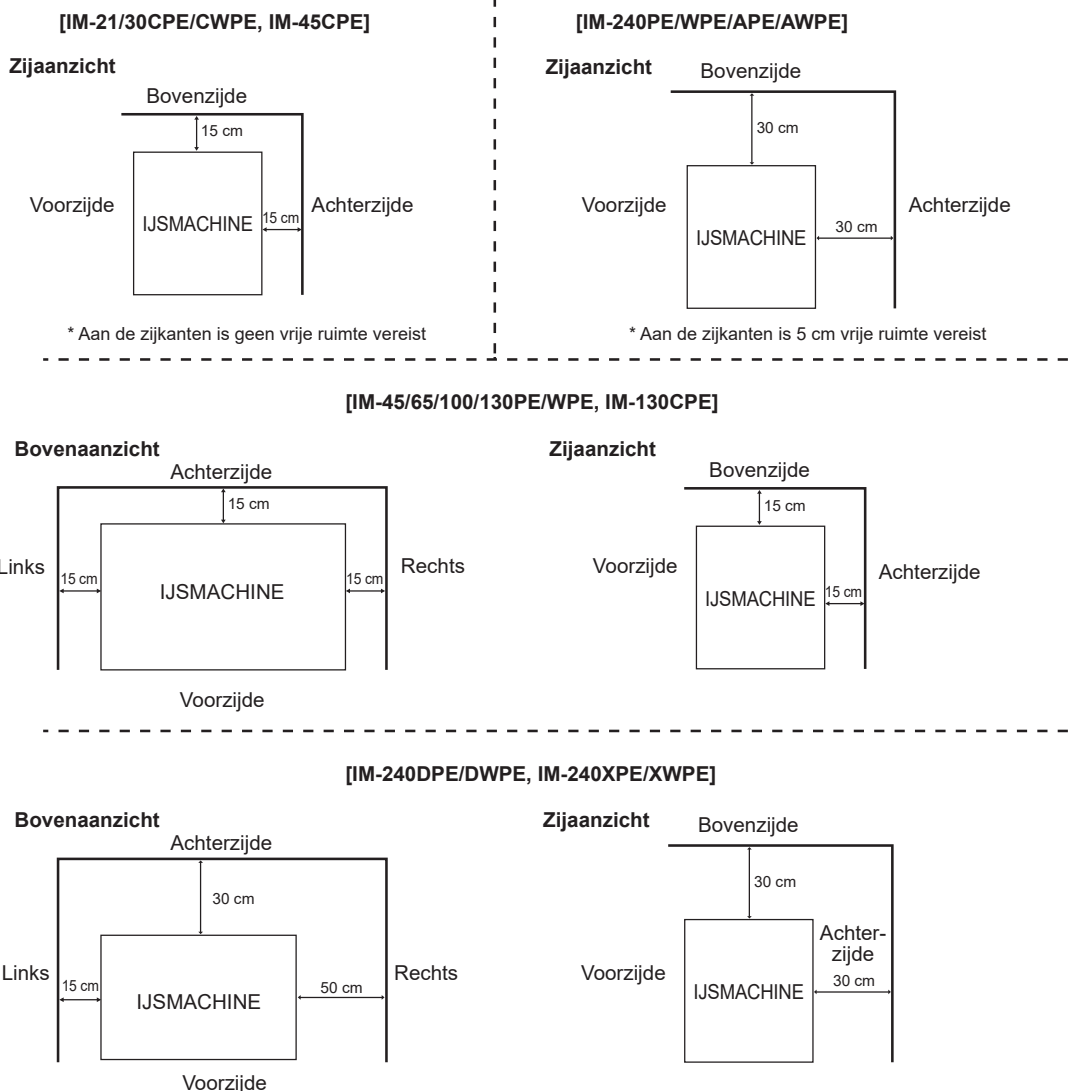
Plaats geen andere apparaten of voorwerpen bovenop de ijsmachine of voor het ventilatierooster.

BELANGRIJK

De normale omgevingstemperatuur bij bedrijf moet tussen 1 °C en 40 °C liggen. Er mag uitsluitend koud water worden toegevoerd. Bediening van de ijsmachine gedurende langere perioden buiten dit normale temperatuurbereik kan de productiecapaciteit beïnvloeden.

Klimaatklasse 5: De elektrische veiligheid van dit apparaat is getest voor gebruik bij een omgevingstemperatuur van maximaal 43 °C en relatieve luchtvochtigheid van 40%. De normale omgevingstemperatuur bij gebruik moet echter tussen 7 °C en 38 °C liggen.

Zorg ervoor dat er aan de bovenkant de vrije ruimte wordt aangehouden die hieronder wordt vermeld. Dit zorgt voor optimale luchtcirculatie en vergemakkelijkt onderhouds- en/of reparatiewerkzaamheden.



In sommige zeer vochtige omgevingen kan condensvorming optreden in de machine die vervolgens op de vloer druipt. Installeer de ijsmachine niet in een ruimte waar de vloer kan worden aangetast door water.

Voorkom langdurige blootstelling van de machine aan direct zonlicht.

5. INSTALLATIE

⚠ VOORZICHTIG

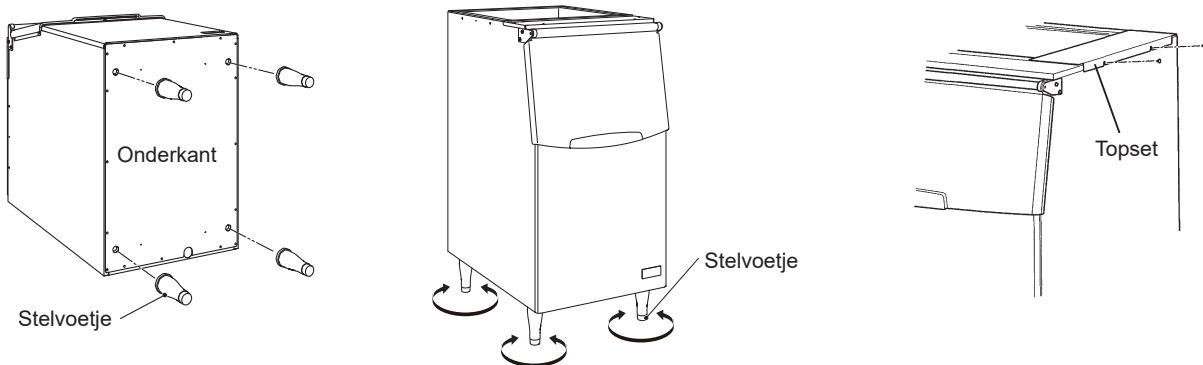
Onjuiste installatie van de ijsmachine kan schade toebrengen aan mens, dier en omgeving. De fabrikant aanvaardt geen aansprakelijkheid voor schade en/of letsel ten gevolge van het onjuist installeren van de machine.

[a] Model met ingebouwde opslagbunker

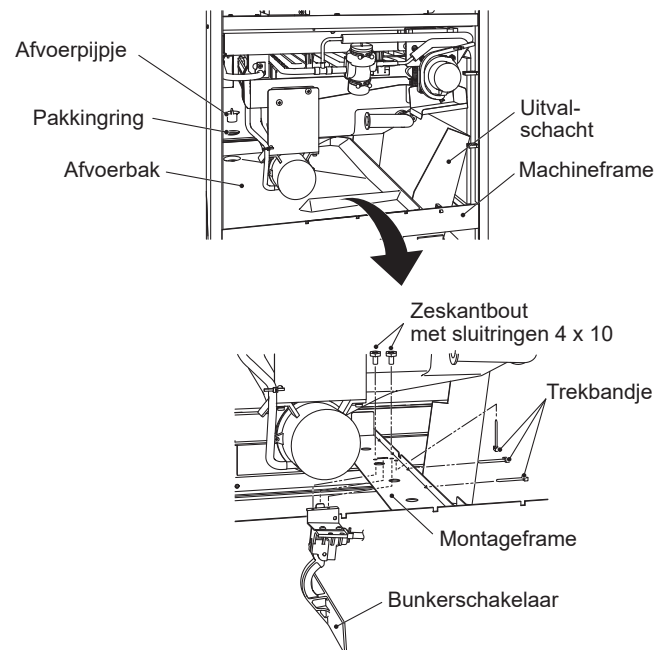
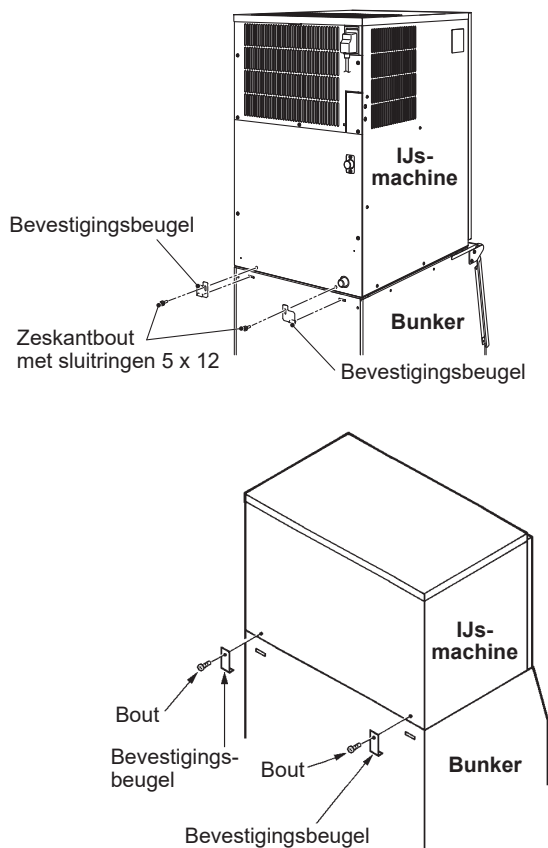
- 1) Plaats de ijsmachine op een permanente locatie.
- 2) Zet de stelvoetjes (meegeleverd) vast in de vier taps toelopende openingen aan de onderzijde van de ijsmachine en zet de ijsmachine waterpas, zowel van links naar rechts als van voor naar achter.

[b] Model met losse opslagbunker

- 1) Leg de opslagbunker voorzichtig op zijn achterkant om schade te voorkomen. Zet de vier stelvoetjes (meegeleverd met opslagbunker) in de vier taps toelopende openingen aan de onderzijde van de opslagbunker.
- 2) Plaats de opslagbunker op een permanente plaats en zorg ervoor dat hij zowel van links naar rechts als van voor naar achter waterpas staat.



- 3) Gebruik de bijgeleverde schroeven aan de linker- of rechterzijde van de opslagbunker om de topset te installeren op de gewenste manier.
- 4) Verwijder de panelen van de ijsmachine. Voor installatie hoeft het achterpaneel niet te worden verwijderd. Zie "3. UITPAKKEN".
- 5) Plaats de ijsmachine boven op de opslagbunker. Pas op dat hierbij de ijsmachine niet wordt beschadigd.
- 6) Zet de ijsmachine met de meegeleverde montagebeugels en bouten aan de achterkant vast aan de opslagbunker.
- 7) Dicht de naad tussen de ijsmachine en de opslagbunker af met een afdichtmiddel dat geschikt is voor gebruik in de buurt van voedingsmiddelen.
- 8) Alleen voor model type A: verwijder het afvoerpijpje en de lekbak. Bevestig de bunkerschakelaar aan het montageframe met behulp van de twee meegeleverde bouten. Bevestig de bedrading van de bunkerschakelaar met de twee kunststof trekbandjes. Plaats de uitvalschacht op het machineframe en plaats de lekbak terug.
- 9) Plaats de panelen van de ijsmachine terug.



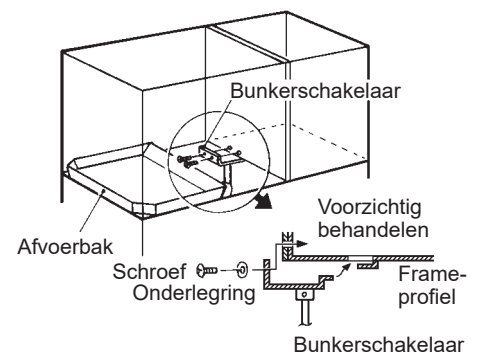
[c] Stapelbaar model met losse opslagbunker – type D / X

LET OP

Controleer het model van de ijsmachine. Een ijsmachine van het type D en een ijsmachine van het type X zijn nodig voor het stapelen van twee ijsmachines. Voor het stapelen van drie ijsmachines zijn een ijsmachine van het type D en twee ijsmachines van het type X nodig. De ijsmachine van het type D is ontworpen als bovenste eenheid en het type X als middelste en onderste eenheid.

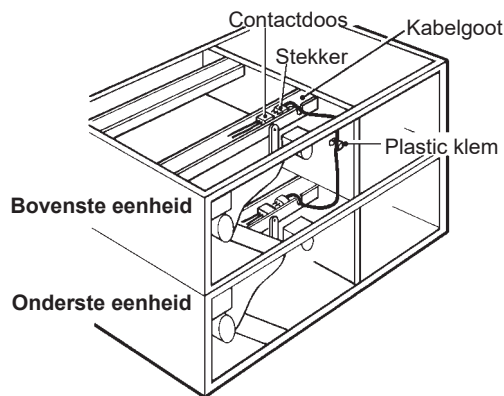
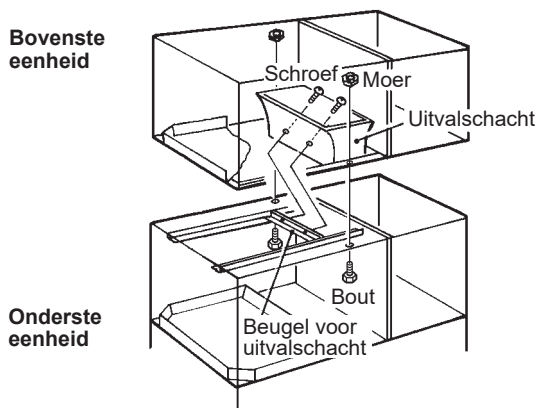
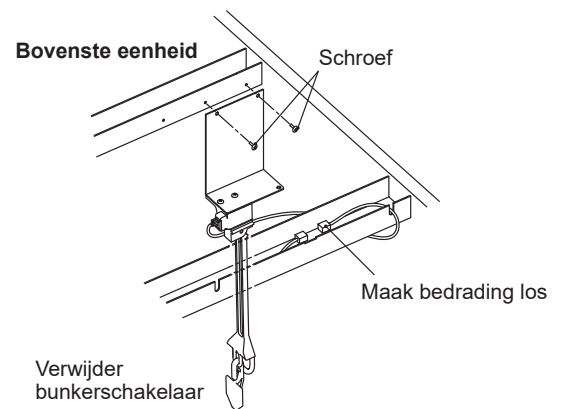
De typen D en X worden geleverd met twee verschillende typen bunkerschakelaars. Gebruik bij het stapelen van ijsmachines alleen de bunkerschakelaar van de onderste (en middelste) ijsmachine van het type X. De bunkerschakelaar moet worden verwijderd van de bovenste eenheid. Verkeerde of ontbrekende aansluiting kan ernstige schade aan de ijsmachines veroorzaken, en uiteindelijk uitval.

- 1) Bereid de opslagbunker voor en plaats deze zoals weergegeven in 1), 2) en 3) en 4) in "5. INSTALLATIE".
- 2) Plaats de onderste eenheid (type X) boven op de opslagbunker.
- 3) Zet de onderste eenheid (type X) met de meegeleverde montagebeugels en bouten aan de achterkant vast aan de opslagbunker.
- 4) Verwijder de transporttape waarmee de bunkerschakelaar is vastgezet op de lekbak. Bevestig de bunkerschakelaar aan het frame onderaan links van de condensor en zet die vast met de twee bijgeleverde schroeven en de twee sluitringen.
- 5) Maak voor het stapelen de verbindingsdraden van de bunkerschakelaar (driepensconnector) los van het bovenste of middelste apparaat. Verwijder de schroeven en de bunkerschakelaar. Bij het stapelen van twee of drie ijsmachines is de schakelaar voor de bovenste eenheid niet nodig. Gooi de schakelaar niet weg.



NEDERLANDS

- 6) Plaats de bovenste of middelste machine op de onderste machine.
- 7) Zet de twee machines vast met de twee bijgeleverde bouten en moeren.
- 8) Plaats de uitvalschacht (meegeleverd met onderste of middelste eenheid) en zet deze met de twee schroeven vast aan de beugel.
- 9) Sluit de verbindingdraden (met driepensconnector) in de bedradingsgoot van de onderste eenheid aan op de contactdoos van de bovenste eenheid, die in stap 6) werden losgemaakt. Zet de draden vast met de bijgeleverde plastic klem.



- 10) Plaats de panelen van de ijsmachine terug.

Opmerking: herhaal stappen 6) t/m 11) voor de bovenste machine bij het stapelen van drie ijsmachines. Vergeet niet dat er slechts EEN bunkerschakelaar nodig is, ongeacht de configuratie. De verlengdraden van de bunkerschakelaar zijn gemonteerd aan de plug en bevinden zich opgerold in de bedradingsgoot van het type X.

6. ELEKTRISCHE AANSLUITINGEN

⚠ WAARSCHUWING

DEZE MACHINE MOET WORDEN GEAARD

Deze ijsmachine moet worden geaard volgens de geldende voorschriften.

Ter voorkoming van ernstig persoonlijk letsel en materiële schade als gevolg van elektrische schokken, dient deze ijsmachine te worden voorzien van een correct aangebrachte aardleiding.

Verwijder de stekker uit het stopcontact voordat u onderhouds-, reparatie- of reinigingswerkzaamheden gaat uitvoeren.

* Deze machine vereist een aparte voeding van 220 - 240 V wisselstroom:

10 A [IM-21/30CPE/CWPE, 45CPE/PE/WPE, 65PE/WPE, 100/130CPE/PE/WPE/APE]

13 A [IM-240PE/WPE/APE/AWPE/DPE/DWPE/XPE/XWPE]

* Het stopcontact moet worden beschermd door een geschikte stroomonderbreker.

* De hoofdzekering van de besturingskast heeft een nominale waarde van 5 A en mag alleen worden vervangen door een erkende onderhoudsmonteur.

* Normaal gesproken dient men te beschikken over de juiste vergunningen en/of de hulp in te roepen van een erkende elektricien.

Alleen voor het Verenigd Koninkrijk en Ierland

* De draden van de netvoeding hebben een kleurcode:

- Groen/geel = aarde
- Blauw = neutraal
- Bruin = stroomvoerend

Als de gekleurde draden in de voedingskabel van deze machine zijn aangesloten op stekkerpolen met een afwijkende kleur, dient u het volgende te doen:

Sluit de groen/gele draad in de stekker aan op de groen/gele of groene stekkerpool of anders op de stekkerpool die is aangeduid met de letter E of het symbool \perp .

De blauwe draad dient aangesloten te worden op de nul (N).

De bruine draad dient aangesloten te worden op de fase (L).

7. AANSLUITING VAN WATERTOEOVOER- EN WATERAFVOERLEIDINGEN

⚠ WAARSCHUWING

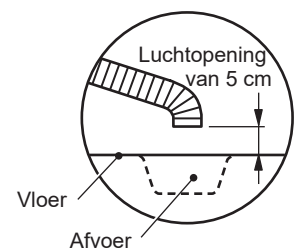


Mag alleen worden aangesloten op een drinkwaterleiding voor koud water.

- * De aansluitingen op de drinkwaterleiding moeten worden uitgevoerd in overeenstemming met de huidige vereisten van het land in de regelgeving met betrekking tot watertoevoer of -accessoires.
- * Het water om ijs mee te maken moet drinkwater zijn. Waar vorming van ketelsteen kan optreden ten gevolge van de waterkwaliteit:
 - Installatie van een extern filter of zachtmaker wordt aanbevolen. Neem contact op met uw plaatselijke waterbehandelingsspecialist of Hoshizaki-servicebedrijf.
 - Overschakelen naar de modus "volledig doorspoelen" wordt aanbevolen. Neem contact op met uw plaatselijke Hoshizaki-servicebedrijf.
- * In sommige gebieden kan een loodgietersvergunning of het inschakelen van een erkende loodgieter verplicht zijn.
- * De nominale watertoevoertemperatuur is 5 - 35 °C bij een nominale druk van 0,05 - 0,8 MPa (0,5 - 8 bar) met een vereist debiet van 3,8 l/min. Als de waterdruk hoger is dan 0,8 MPa (8 bar), moet gebruik worden gemaakt van een reduceerventiel. De watertoevoerkraan mag voor dit doel **NIET** gedeeltelijk worden dichtgedraaid.
- * Gebruik de nieuwe slangensets die met het apparaat zijn meegeleverd. Gebruik oude slangensets niet opnieuw.

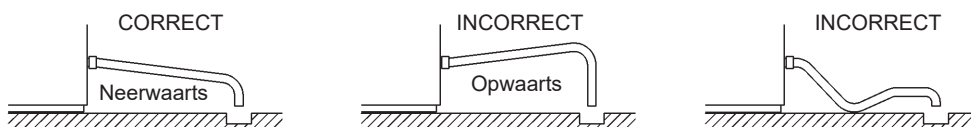
[a] Afvoeraansluitingen

* Afvoerleidingen mogen niet rechtstreeks op de riolering worden aangesloten. Houd een verticale luchtopening van minimaal 5 cm aan tussen het uiteinde van de afvoerslangen van de ijsmachine en de vloerafvoer.



[Modellen zonder afvoerpomp]

* De waterafvoer van de ijsmachine stroomt onder natuurlijk verval, dus zorg ervoor dat de afvoerslang voldoende verval heeft zoals afgebeeld.

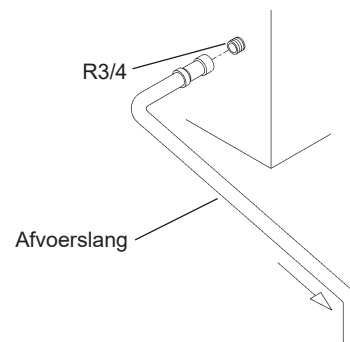


* Om terugstromen van afvoerwater naar de opslagbunker te voorkomen, moet de afvoerslang worden geplaatst zoals afgebeeld.

NEDERLANDS

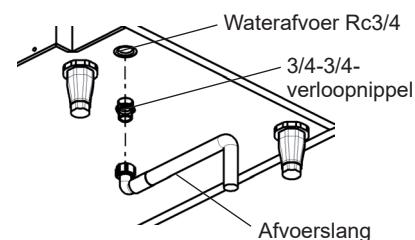
Uitgezonderd IM-130CPE

- 1) Bevestig de flexibele grijze afvoerslang (meegeleverd) aan de R3/4-aansluiting aan de achterzijde van de ijsmachine zoals weergegeven en draai deze handvast aan. Let er daarbij op dat de rubberen afstandsring goed is aangebracht om lekkage te voorkomen. De slang kan zo nodig op lengte worden gesneden voor een passende aansluiting op de hoofdafvoer.



IM-130CPE

- 1) Draai de 3/4-3/4-verloopnippel (meegeleverd) met behulp van een geschikte (schroef)sleutel in de Rc3/4-aansluiting aan de onderkant van de ijsmachine, zoals weergegeven. Voor een lek vrije verbinding moet PTFE-tape en/of een geschikte afdichtingspasta worden gebruikt.



Opmerking: de koppelingselementen moeten zijn goedgekeurd en moeten geschikt zijn voor gebruik met drinkwater.

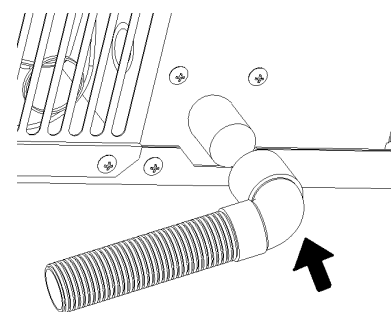
- 2) Bevestig de flexibele grijze afvoerslang (meegeleverd) aan de 3/4-3/4-aansluiting zoals weergegeven. Let er daarbij op dat de rubberen afstandsring goed is aangebracht om lekkage te voorkomen. De slang kan zo nodig op lengte worden gesneden voor een passende aansluiting op de afvoer.

[Model met afvoerpomp]

- 1) Bevestig het haakse uiteinde van de flexibele afvoerslang (meegeleverd) aan de pushfitting met een doorsnee van 22 mm aan de achterzijde van de ijsmachine. Let er daarbij op dat de klem goed over het haakse uiteinde komt om lekkage te voorkomen.

- 2) We raden aan om de afvoerslang eerst iets schuin af te laten lopen en dan pas verticaal te laten gaan.

Opmerking: max. hoogte (H) 1,5 m bij een lengte van (L) 5 m, max. lengte (L) 15 m bij een hoogte van 0,5 m

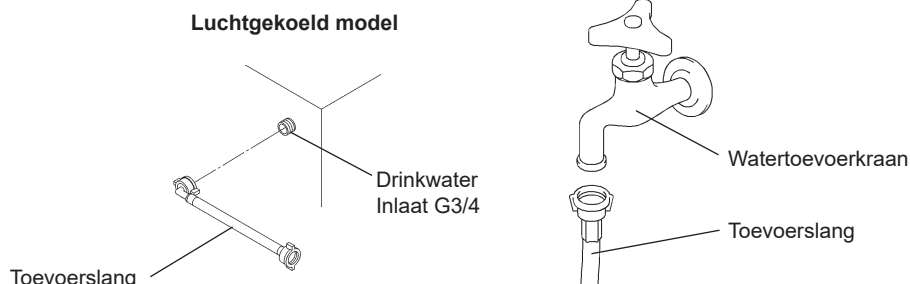


De slang in de accessoireset is 2 m lang, om de lengte van de afvoerslang te vergroten, vervangt u de afvoerslang door een slang met een diameter van 22 mm tot de hierboven weergegeven maximale waarden.

[b] Drinkwaterleiding - Lucht- en watergekoelde modellen

- 1) Bevestig het gebogen uiteinde van de flexibele toevoerslang (meegeleverd) aan de G3/4 aansluiting op de achterkant van de ijsmachine zoals weergegeven. Let er daarbij op dat de rubberen afdichting goed is aangebracht. Voorkom lekkage door de aansluiting handvast aan te draaien.

- 2) Bevestig het andere uiteinde van de toevoerslang aan de waterkraan. Zorg ervoor dat de afdichting goed is aangebracht voordat u de aansluiting handvast (zie boven) aandraait. Het verdient aanbeveling een afsluitkraan te monteren op een goed bereikbare plek.



Opmerking: Om prestatievermindering of storingen door kalkaanslag te voorkomen, moet de watervoorziening een waterhardheid hebben van niet meer dan 150 mg/L en een silicagehalte van niet meer dan 30 mg/L. Anders is de installatie van een geschikt waterbehandelingsapparaat vereist.

[c] Condenswaterleiding - watergekoeld model

* Hoshizaki raadt aan om de watergekoelde condensor aan te sluiten op een hercirculerend koelsysteem met gesloten circuit, voorzien van een toren, waterkoeler of gelijksoortige installatie. Het vullen met water moet via een kogelventiel/mengvat plaatsvinden.

* Hoewel het aansluiten van een watergekoelde condensor op een drinkwaterleiding geen invloed heeft op de prestaties van de machine, wordt dit in verband met het hoge verbruik afgeraden.

* Voor een correcte installatie moet een bevoegde of erkende loodgieter worden ingeschakeld.

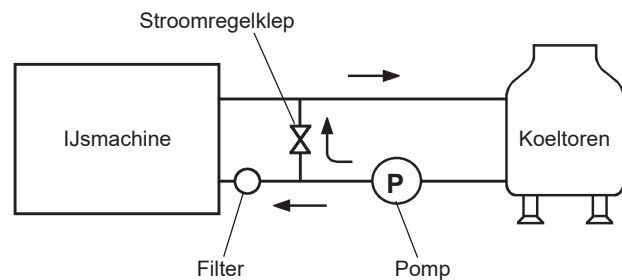
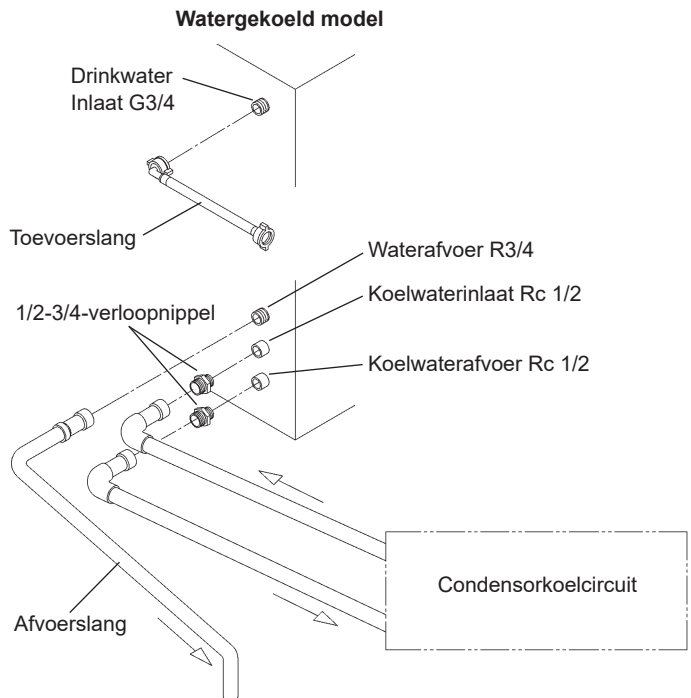
* De aansluitingen moeten voldoen aan de van toepassing zijnde landelijke of plaatselijke voorschriften.

* Leidingen tussen de koeltoren en de ijsmachine moeten minstens 20 mm in doorsnee zijn om drukverlies op te vangen, ondanks dat de aansluitingen van de ijsmachine zelf 13 mm in doorsnee zijn.

* Drukverlies in het watercircuit binnen de ijsmachine zal 5 tot 6 m bedragen als het koelwater een stroomsnelheid heeft van 4 tot 5 l/min.

* Bij het kiezen van een koeltoren moet u rekening houden met de volgende piekwaarden van de warmtestroming in de condensor:

Model	IM-30CW/45W:	295 - 760 W
	IM-65W:	875 W
	IM-100/130W:	1.165 W
	IM-240W:	5.235 W



* Houd bij het selecteren van een circulatiepomp rekening met bovenstaande warmtestromingswaarden.

* Gebruik geen cascadepomp, omdat het waterregelventiel de stroming zal variëren en deze tijdens de ontdooicyclus zal stoppen.

[d] IJsmachineaansluitingen

1) Draai de 1/2-3/4-verloopnippel (meegeleverd) met behulp van een geschikte (schroef)sleutel in de Rc1/2-aansluiting aan de achterkant van de ijsmachine, zoals weergegeven. Voor een lekvrije verbinding moet PTFE-tape en/of een geschikte afdichtingspasta worden gebruikt.

Opmerking: de koppelingselementen moeten zijn goedgekeurd en moeten geschikt zijn voor gebruik met drinkwater.

2) Bevestig twee haakse uiteinden van de flexibele slang (meegeleverd) aan de 1/2-3/4-verloopnippel van de ijsmachine. Let er daarbij op dat de rubberen afdichting goed is aangebracht. Voorkom lekkage door de aansluiting handvast aan te draaien.

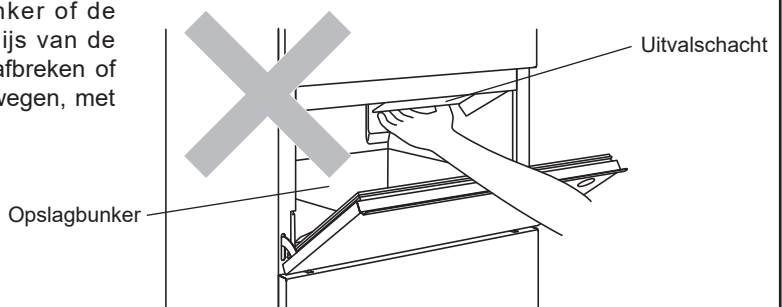
3) Sluit het condensorkoelcircuit aan op het vrije uiteinde van de flexibele slang (meegeleverd) die is bevestigd op de 1/2-3/4-nippels zoals aangegeven. Let er daarbij op dat er geen lekkage mogelijk is.

Opmerking: indien waterfiltering of -zuivering wordt gebruikt, dient u ervoor te zorgen dat alleen de ijsmachine is aangesloten op de gezuiverde watertoevoer, niet de condensor.

II. BEDIENINGSINSTRUCTIES

⚠ VOORZICHTIG

Steek uw handen nooit achter in de opslagbunker of de uitvalschacht boven op de opslagbunker. Er kan ijs van de ijsmachine vallen, een hard blok ijs kan plotseling afbreken of het mechanisme voor ijsproductie kan plotseling bewegen, met letsel als gevolg.



LET OP

Alle onderdelen zijn in de fabriek afgesteld. Onjuiste aanpassingen kunnen leiden tot storingen.

Om schade aan de compressor te voorkomen, dient u minstens 3 minuten te wachten met het opnieuw inschakelen van de ijsmachine nadat deze is uitgeschakeld.

Als er zich een fout (EG) heeft voorgedaan of als de afvoerpomp defect is, stopt de machine met werken om overstromen te vermijden.

⚠ HYGIËNE

Deze ijsmachine is bestemd voor de productie van consumptie-ijs. Neem de volgende punten in acht om de ijsmachine schoon te houden:

- * Was uw handen voordat u ijs uit de bunker schept. Gebruik de meegeleverde kunststof schep (meegeleverd).
- * De bunker is uitsluitend bestemd voor de opslag van ijs. Bewaar geen andere zaken in de bunker en gebruik geen elektrische apparaten in de opslagbunker.
- * Maak voor ingebruikname van de ijsmachine eerst de bunker schoon (zie "III. 1. REINIGING").
- * Houd de schep schoon. Gebruik een neutraal reinigingsmiddel voor het reinigen en spoel grondig af.
- * Sluit de bunkerklep onmiddellijk nadat u ijs heeft geschept om te voorkomen dat stof, vuil of insecten in de bunker terechtkomen.

1. OPSTARTEN

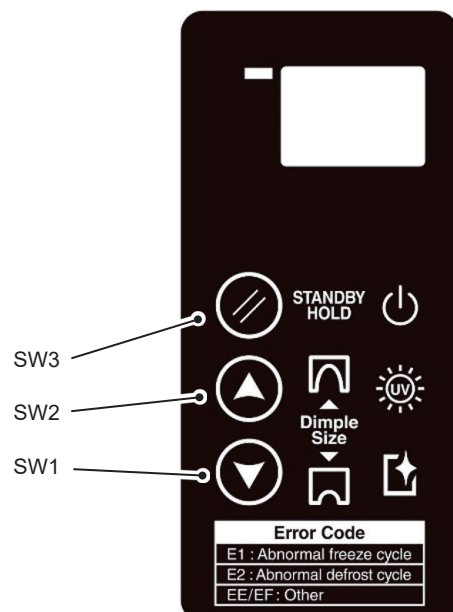
Gewoonlijk wordt de ijsmachine door de installateur in gebruik genomen, waarbij de automatische ijsproductie wordt gestart. Controleer het volgende om een continue werking te waarborgen:

- * De waterkraan moet openstaan en
- * De ijsmachine moet zijn aangesloten op de voeding

Modus	Stand-by	IJs maken	Bin control
Display			

2. CONTROLES

	Druk op	Houd vast
SW3	Reset de machine, start de ontthooicyclus.	Zet de machine in de stand-bymodus, dezelfde functie als de bak vol is, de stroom is nog steeds ingeschakeld.
SW2	Vergroot de dimple in het ijsblokje.	Activeert de UV-ontsmettingsmodus.
SW1	Verkleint de dimple in het ijsblokjes.	Activeert de reinigingsmodus.



3. DE IJSMAKER GEREEDMAKEN VOOR LANGDURIGE OPSLAG

LET OP

Deze ijsmachine werkt niet bij temperaturen onder het vriespunt. Voorkom schade aan de watertoevoerleiding door het water uit het systeem af te tappen zodra de luchttemperatuur onder 0 °C daalt.

▲HYGIËNE

Als de ijsmachine twee dagen of langer wordt uitgeschakeld, tapt u het water af uit de ijsmachine om verontreiniging in het watercircuit te voorkomen.

- 1) Haal de stekker van de ijsmachine uit het stopcontact of sluit de stroomtoevoer af.
- 2) Draai de watertoevoerkraan dicht en verwijder de toevoerslang.
- 3) Verwijder alle ijs uit de bunker en maak de opslagbunker schoon.
- 4) Vraag een gekwalificeerde medewerker het water af te tappen uit de ijsmachine.

III. ONDERHOUD

1. REINIGING

▲WAARSCHUWING

Haal de stekker van de ijsmachine uit het stopcontact voordat u met schoonmaak- of onderhoudswerkzaamheden begint.

Deze machine mag niet worden gereinigd met behulp van een waterstraal of hogedrukreiniger.

▲VOORZICHTIG

Bij gebruik van een neutraal schoonmaakmiddel of natriumhypochloriet leest u de meegeleverde instructies zorgvuldig door totdat u deze begrijpt om mogelijke gezondheidsproblemen te voorkomen.

LET OP

Het watersysteem van de ijsmachine moet minstens tweemaal per jaar worden gereinigd en gezuiverd door een professioneel onderhoudsmonteur. Daarnaast moet de condensor minstens eenmaal per jaar worden gecontroleerd en gereinigd.

Voorkom mogelijke schade door de kunststof onderdelen niet met water warmer dan 40 °C of in een afwasmachine te reinigen.

[a] Machine en buitenkant bunker

Reinig de buitenkant van de ijsmachine minstens eenmaal per week met een schone, zachte doek. Gebruik een vochtige doek met wat neutraal reinigingsmiddel voor het verwijderen van vet en vuil. Behandel de buitenoppervlakken na het reinigen met een onderhoudsmiddel voor roestvrij staal om corrosie door agressieve invloeden van buitenaf te voorkomen.

[b] Reiniging/ontsmetting van ijsschep en handgreep van ijsbunker (dagelijks)

- 1) Maak onderstaande onderdelen schoon met een oplossing van 1 liter water en 4 ml 5,25% oplossing natriumhypochloriet, of gebruik een door Hoshizaki aanbevolen ontsmettingsmiddel.
- 2) Week het schepje gedurende meer dan 3 minuten in de oplossing. Spoel het schepje zorgvuldig af met water en schud om overtollig water te verwijderen.

Opmerking: door het gebruik van een doek kan het schepje opnieuw vuil worden.
- 3) Gebruik een neutraal schoonmaakmiddel voor de handgreep van de ijsbunker. Spoel de onderdelen daarna zorgvuldig af.
- 4) Dompel een schone doek in de ontsmettingsoplossing en veeg de handgreep schoon. Gebruik schoon water om na te spoelen en droog de handgreep met een schone doek.

[c] Reiniging/ontsmetting van binnenzijde bunker (wekelijks)

- 1) Open de bunkerklep en verwijder al het ijs uit de bunker.
- 2) Reinig de binnenzijde van de opslagbunker met een neutraal, niet-schurend schoonmaakmiddel. Spoel de onderdelen zorgvuldig af.
- 3) Dompel een schone doek in het neutrale schoonmaakmiddel en maak de binnenkant van de bunkerdeur en beide kanten van de zijkleppen van de bunkerdeur schoon. Veeg het reinigingsmiddel af met een schone, vochtige doek.
- 4) Meng 5 liter water met 18 ml 5,25% natriumhypochlorietoplossing in een geschikte houder of gebruik een door Hoshizaki aanbevolen ontsmettingsmiddel.
- 5) Dompel een schone spons of doek in de oplossing en ontsmet de kuip van de bunker, de bunkerdeur en de zijkleppen van de bunkerdeur.
- 6) De resterende oplossing kan worden gebruikt voor het ontsmetten van gebruiksvoorwerpen.

Opmerking: veeg of spoel voorwerpen niet af nadat u ze hebt ontsmet, maar laat ze drogen in de lucht.

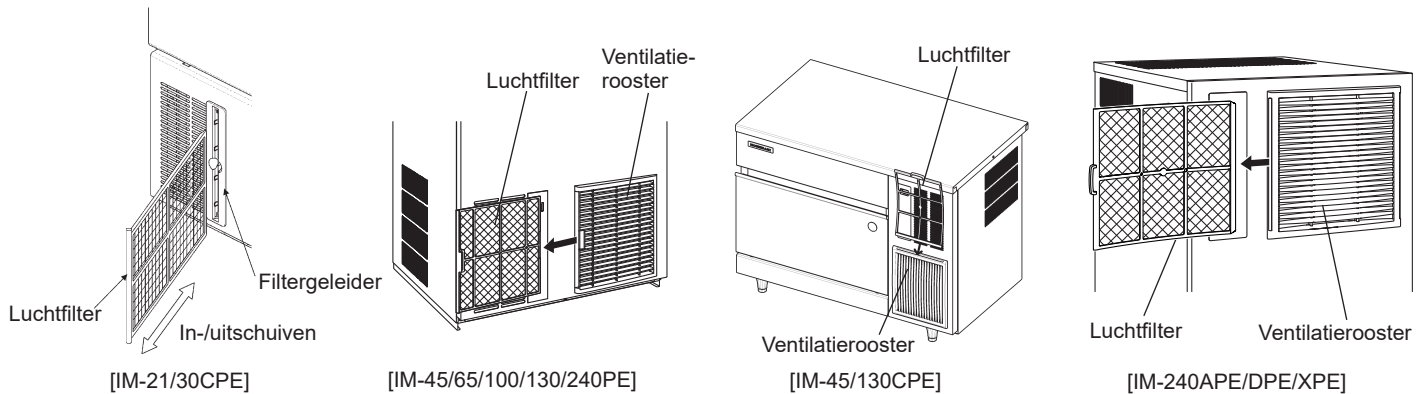
[d] Luchtfilter (alleen luchtgekoeld model)

Kunststof luchtfilters halen vuil en stof uit de lucht en voorkomen dat de condensor verstopt raakt. Als de filters verstopt raken, gaat de ijsmachine minder goed werken. Het luchtfilter of de luchtfilters moeten minstens tweemaal per maand worden verwijderd en gereinigd:

- 1) Schuif het luchtfilter van de filtergeleider [IM-30CPE] of van het ventilatierooster [IM-45CPE/PE, 65PE, 130CPE/PE, 240PE].
- 2) Reinig het luchtfilter met een stofzuiger. Gebruik bij ernstige vervuiling warm water en een neutraal schoonmaakmiddel om het luchtfilter schoon te maken.
- 3) Spoel het luchtfilter schoon en droog het zorgvuldig af.

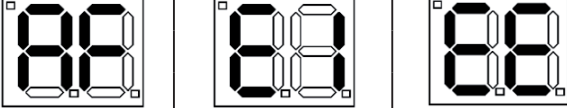
LET OP

Plaats het luchtfilter na reiniging weer terug.



2. VOORDAT U BELT VOOR SERVICE

[a] Indicatie van foutcode

⚠ WAARSCHUWING			
Als de foutcode "E" wordt aangegeven op het display, zijn er mogelijk gaslekken. Raak de machine niet aan. Ventileer de ruimte en bel onmiddellijk voor service.			
Code	Betekenis foutcode		
AF	Luchtfilter moet worden gereinigd		
AC	Watercircuit moet worden gereinigd		
AL	UV LED vervanging		
C2	Hoge drukdetectie		
E1	Fout tijdens vriezen		
E2	Fout tijdens ontdooien		
EE	Andere fout		

[b] Geen indicatie foutcode

Als de ijsmachine niet goed of helemaal niet werkt en er wordt geen foutcode aangegeven op het display, controleert u het volgende voordat u contact opneemt met de serviceorganisatie:

- * De machine heeft stroom.
- * De watertoevoer is ingeschakeld.
- * Het luchtfilter is schoon (luchtgekoeld model).
- * Het koelwatercircuit stroomt op de juiste manier (watergekoeld model).

Neem voor nadere assistentie of advies contact op met uw plaatselijke Hoshizaki-serviceagent.

3. VERWIJDERING

Houd u aan de lokale voorschriften met betrekking tot de verwijdering van het apparaat en zijn koelmiddelgas. Verwijder voordat u het apparaat afvoert de klep, om te voorkomen dat kinderen beklemd kunnen raken.

Juiste verwijdering van dit product:

Deze markering geeft aan dat dit product binnen de EU niet samen met ander huishoudelijk afval mag worden afgevoerd. Teneinde mogelijke milieuschade of schade aan de menselijke gezondheid ten gevolge van ongecontroleerde afvoer van afvalstoffen te vermijden, dient u het apparaat op verantwoorde wijze te recyclen om het duurzame hergebruik van materialen mogelijk te maken. U kunt uw gebruikte apparaat terugsturen via de bestaande systemen voor retournering en inzameling, of u kunt contact opnemen met de detailhandelaar waar het product is aangeschaft. Zij kunnen dit product innemen voor milieuveilige recycling.



4. GARANTIE

Hoshizaki garandeert de oorspronkelijke eigenaar/gebruiker dat alle producten van het merk Hoshizaki vrij zijn van materialen/ of productiefouten voor de duur van de "garantieperiode". De garantie gaat in vanaf de datum van installatie.

De aansprakelijkheid van Hoshizaki in het kader van de garantie is beperkt en omvat geen routineonderhoud, reiniging, essentieel onderhoud en/of reparaties ten gevolge van onjuist gebruik en installaties die niet volgens de richtlijnen van Hoshizaki zijn uitgevoerd.

Reparaties in het kader van de garantie moeten worden uitgevoerd door een goedgekeurde Hoshizaki-dealer of serviceorganisatie met behulp van authentieke Hoshizaki-onderdelen.

NEDERLANDS

Voor volledige informatie over uw garantie en over goedgekeurde servicebedrijven, raadpleegt u uw dealer/leverancier of de dichtstbijzijnde vestiging van Hoshizaki.

Europa, Midden-Oosten, Afrika

Hoshizaki UK - VK, Ierland
TEL: +44 845 456 0585
FAX: +44 132 283 8331
uksales@hoshizaki.uk

Hoshizaki Middle East - Midden-Oosten
TEL: +971 48 876 612
FAX: +971 48 876 613
sales@hoshizaki.ae

Hoshizaki Deutschland - Duitsland, Zwitserland, Oostenrijk
TEL: +49 5121 697370
FAX: +49 5121 6973719
stoerung@hoshizaki.de

Hoshizaki Benelux - Nederland, België, Luxemburg
Tel: +31 85 018 83 70
info@hoshizaki.nl

Hoshizaki France - Frankrijk
TEL: +33 1 48 63 93 80
FAX: +33 1 48 63 93 88
info@hoshizaki.fr

Hoshizaki Italia - Italië
TEL: +39 (0)2 30557106
TEL: +39 348 3022156
info@hoshizaki.it

Hoshizaki Iberia - Spanje, Portugal
TEL: +34 93 478 09 52
FAX: +34 93 478 08 00
info@hoshizaki.es

Hoshizaki Europe B.V. - alle overige landen in Europa en Afrika
TEL: +31 20 6918499
FAX: +31 20 6918768
sales@hoshizaki.nl

Azië, Oceanië

Hoshizaki Singapore
TEL: +65 6225 2612
FAX: +65 6225 3219
sales@hoshizaki.com.sg (Sales)
serviceadmin@hoshizaki.com.sg (Technische ondersteuning)

Hoshizaki Hong Kong
TEL: +852 2866 2108
FAX: +852 2866 2109

Hoshizaki Taiwan
TEL: +886 2 2706 8818
FAX: +886 2 2708 7999

Hoshizaki Lancer
TEL: +61 8 8268 1388
FAX: +61 8 8268 1978

INFORMACIÓN IMPORTANTE DE SEGURIDAD

A lo largo de este manual aparecerán avisos para llamar su atención sobre situaciones que podrían tener como consecuencia la muerte, heridas graves o daños en la unidad.

▲ADVERTENCIA	Indica una situación peligrosa que, de no evitarse, podría tener como resultado la muerte o heridas graves.
▲ATENCIÓN	Indica una situación peligrosa que, de no evitarse, podría tener como resultado heridas leves o moderadas.
AVISO	Indica una situación peligrosa que, de no evitarse, podría tener como resultado daños en la unidad.
▲HIGIENE	Indica precauciones importantes para la higiene y la seguridad de la comida.
IMPORTANTE	Indica información importante acerca del uso y el cuidado de la unidad.

Esta máquina de hielo utiliza refrigerante (propano) sin HFC, ecológicamente sostenible; lo que significa que no contribuye de modo negativo a la reducción de la capa de ozono ni potencia el calentamiento global.

▲ADVERTENCIA	
Esta máquina de hielo contiene refrigerante inflamable en la unidad de refrigeración; solamente técnicos autorizados deben encargarse de su instalación, manipulación, mantenimiento y eliminación.	
El refrigerante que contiene esta máquina de hielo es inflamable y se halla aislado de modo estanco en el sistema de refrigeración. A pesar de que el riesgo de fugas de refrigerante durante el uso normal sea mínimo, extreme las precauciones al manipular la máquina de hielo para evitar causar daños al sistema.	
En caso de daños accidentales en el sistema de refrigeración que provoquen una fuga de refrigerante: * No cree una fuente de ignición en la zona. * No utilice interruptores eléctricos o enchufes en la zona. * No utilice una llama descubierta. * Ventile el área de forma inmediata abriendo puertas y/o ventanas. * Llame al ingeniero del servicio técnico.	

IMPORTANTE	
Este folleto es una parte integral y esencial del producto y el usuario debe guardarlo en buenas condiciones.	
Por favor, lea atentamente las indicaciones y observaciones de este folleto que tratan de ofrecer al instalador/usuario toda la información esencial para la instalación correcta, el uso seguro y el mantenimiento del producto.	
Por favor, guarde este folleto para cualquier futura consulta que sea necesaria.	
Estos productos tienen una clasificación IP20.	

⚠ADVERTENCIA

Esta máquina de hielo comercial solo debe utilizarse para los fines para los que ha sido expresamente diseñada.

Cualquier otra utilización deberá considerarse inadecuada y, por lo tanto, potencialmente peligrosa. El fabricante no será responsable de ningún daño causado por un uso incorrecto, inadecuado o irrazonable.

La instalación y, si fuera necesario, la reubicación, debe ser realizada únicamente por personal cualificado, de acuerdo con la normativa vigente y las instrucciones del fabricante.

Mantenga los orificios de ventilación, de la carcasa de la máquina o de la estructura integrada, libres de cualquier obstrucción.

No utilice dispositivos mecánicos, ni otros medios distintos a los recomendados por el fabricante, para acelerar el proceso de descongelación.

El uso de cualquier aparato eléctrico requiere tener presentes algunas normas fundamentales. En particular:

- * Un alto grado de humedad incrementa el riesgo potencial de cortocircuitos y de descargas eléctricas. En caso de duda, desconecte la máquina de hielo.
- * No dañe el cable de alimentación eléctrica ni tire de este para desconectar la máquina de hielo de la red eléctrica.
- * En caso de que sea necesario sustituir el cable de alimentación y/o el enchufe, dicha sustitución debe realizarla únicamente un técnico de mantenimiento cualificado.
- * No toque las partes eléctricas ni manipule los interruptores con las manos húmedas.
- * Este aparato no está diseñado para ser utilizado por personas (incluidos niños) con capacidades físicas, sensoriales o mentales reducidas, o sin experiencia y conocimientos; no obstante, puede ser utilizado por niños de a partir de 8 años y por personas con las minusvalías antes especificadas siempre que se encuentren bajo la supervisión de una persona responsable de su seguridad.
- * Los niños no deben jugar con el equipo.
- * Los niños sin supervisión no deben realizar la limpieza ni el mantenimiento de usuario.
- * No trate de modificar la máquina de hielo. El desmontaje o la reparación de la máquina solo debe ser realizado por personal cualificado.

Al colocar el aparato, compruebe que el cable de alimentación no quede atrapado ni esté dañado.

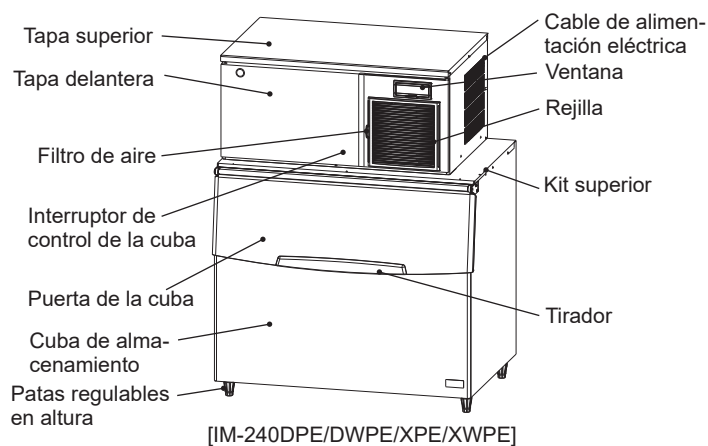
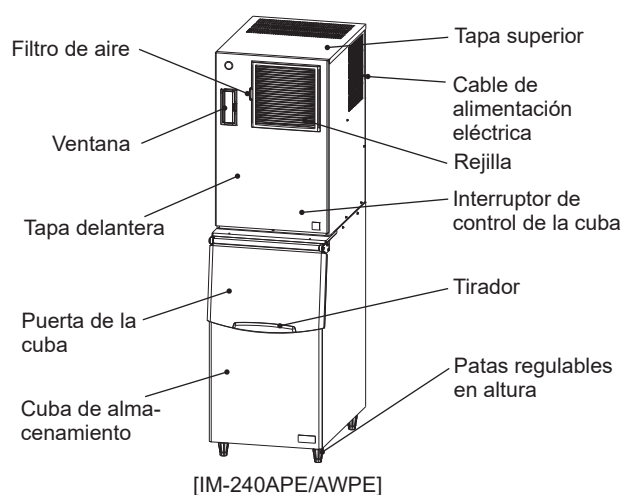
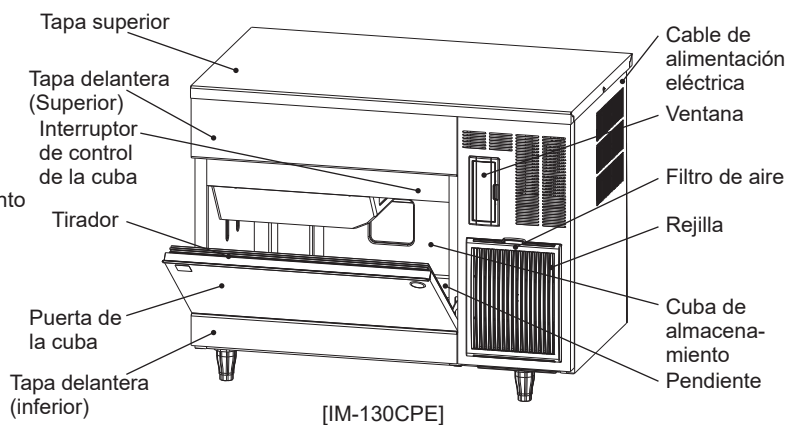
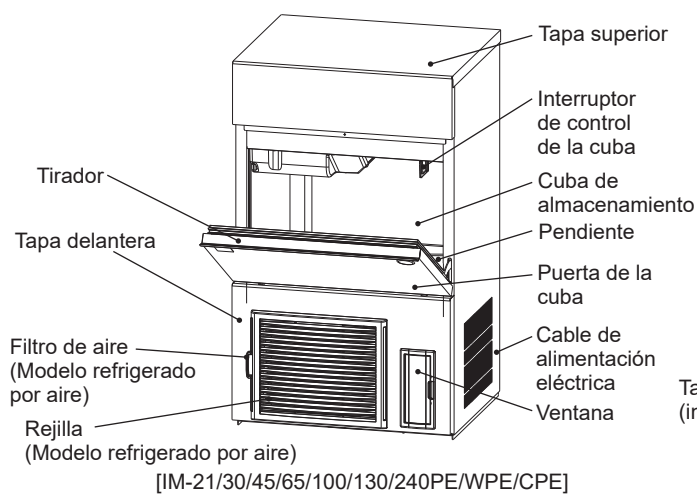
No coloque múltiples tomas de corriente portátiles o fuentes de alimentación portátiles en la parte posterior del aparato.



El significado de este símbolo ISO 7010 W021 es:
Advertencia: riesgo de incendio / materiales inflamables

I. INSTRUCCIONES DE INSTALACIÓN

1. ESTRUCTURA



2. ACCESORIOS



La presencia de componentes UVC y de la bomba de drenaje varía según el modelo; Pueden estar preinstalados u omitirse en función de la configuración específica.

* Ctd.1 Abrazadera de manguera incluida en todos los modelos de bomba de drenaje, IM-21CPE no incluye patas. Los kits de compatibilidad se venden por separado.

[a] Modelos autónomos

	IM-21/30/45CPE, IM-45/65/100/130/240PE	IM-30CWPE, IM-45/65/100/130/240WPE	IM-130CPE
Manual de instrucciones	1	1	1
Guía de inicio rápido	1	1	1
Manguera de entrada	1	3	1
Manguera de salida	1	1	1
Boquilla 3/4-3/4	-	-	1
Boquilla 1/2-3/4	-	2	-
Pata	4	4	5
Tapa del conector	1	1	1
Pala	1	1	1

[b] Modelos modulares

	IM-130/240APE	IM-240AWPE	IM-240DPE	IM-240DWPE	IM-240XPE	IM-240XWPE
Manual de instrucciones	1	1	1	1	1	1
Guía de inicio rápido	1	1	1	1	1	1
Manguera de entrada	1	3	1	3	1	3
Manguera de salida	1	1	1	1	1	1
Boquilla 1/2-3/4	-	2	-	2	-	2
Tapa del conector	1	1	1	1	1	1
Canal de descarga del hielo	1	1	-	-	1	1
Soporte de montaje	2	2	2	2	2	2
Perno con arandela M5x12	2	2	2	2	-	-
Perno con arandela M4x10	-	-	-	-	4	4
Abrazadera para cables	-	-	-	-	2	2
Perno M8x16	-	-	2	2	2	2
Arandela de plástico	-	-	2	2	4	4
Tuerca M8	-	-	2	2	2	2

* Las funciones de bomba de drenaje y UVC se pueden instalar como kits opcionales. Comuníquese con su distribuidor/proveedor o con la oficina de servicio de Hoshizaki más cercana para obtener más información.

3. DESEMBALAJE

⚠ADVERTENCIA

No deje al alcance de los niños el material de embalaje (bolsas de plástico y poliestireno expandido), ya que son fuentes potenciales de peligro.

⚠ATENCIÓN

No levante ni manipule el cartón usando las cintas de embalaje.

Si se va a desplazar la unidad a mano, sostenga la parte inferior de la unidad.

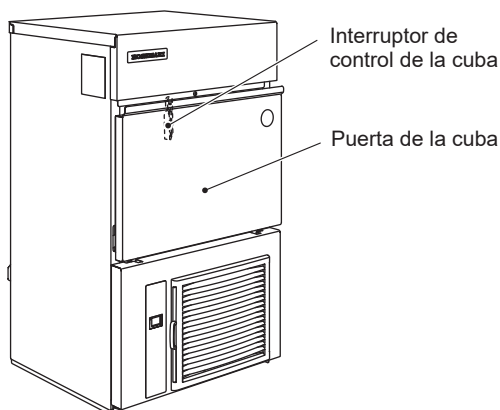
Lleve siempre guantes protectores al transportar la unidad.

Cuando vaya a manipular el cartón o la unidad desembalada, hágalo con la ayuda de otra persona para evitar daños.

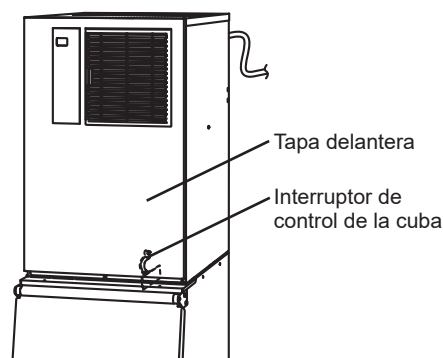
AVISO

Retire el cartón, la(s) cinta(s) y el embalaje de expedición. La máquina de hielo no funcionará correctamente si no se quita el material de embalaje.

- 1) Extraiga el embalaje exterior.
- 2) Una vez retirado el embalaje, verifique que la máquina de hielo se encuentra en buen estado. En caso de duda, no use la máquina de hielo y consulte a profesionales cualificados.
- 3) Retire la cinta de embalaje que sujeta la puerta y la rejilla de la tapa delantera.
- 4) Retire el plástico protector del exterior. Si la máquina de hielo está expuesta al sol o al calor, quítele la película una vez que se haya enfriado.
- 5) Retire el embalaje de los accesorios. Verifique el contenido de acuerdo con "2. ACCESORIOS".
- 6) Quite la cinta de embalaje que sujeta el interruptor de control de la cuba.
 - a. Modelos autónomos: abriendo la puerta de la cuba y metiendo la mano.
 - b. Modelos modulares: abriendo la tapa delantera y extrayendo el interruptor de control de la cuba de la bandeja de drenaje.



Modelos autónomos
[IM-21/30/45/65/100/130/240PE/WPE/CPE]



Modelos modulares
[IM-130/240APE/AWPE/DPE/DWPE]

Nota: los modelos modulares necesitan una cuba de almacenamiento; Hoshizaki recomienda lo siguiente:

- a. Tipo A (IM-130/240APE/AWPE): B-140SA
- b. Tipo D/X (IM-240DPE/DWPE/XPE/XWPE): B-340SA

4. UBICACIÓN

⚠ADVERTENCIA

Esta máquina de hielo no está diseñada para uso en el exterior.

La máquina de hielo no debe colocarse cerca de hornos, parrillas u otras fuentes de calor.

Este aparato no es apropiado para su instalación en una zona en la que pueda haber un chorro de agua.

⚠ATENCIÓN

La máquina de hielo debe ubicarse sobre una base firme y nivelada.

AVISO

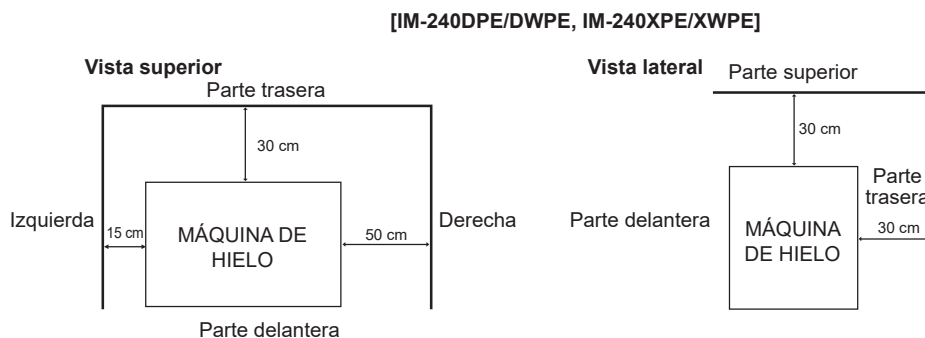
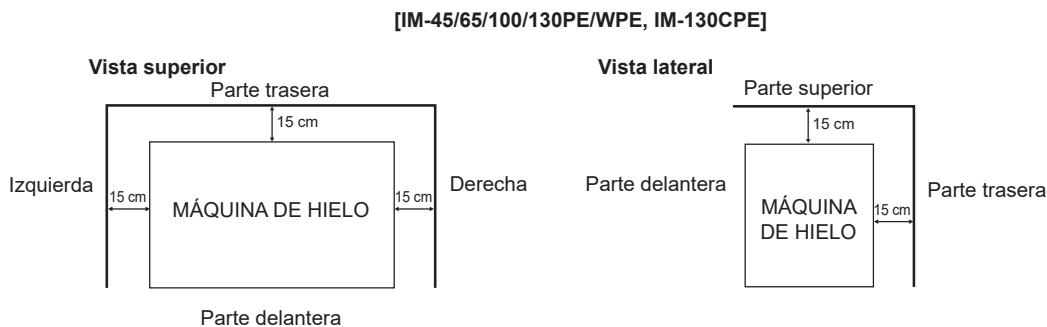
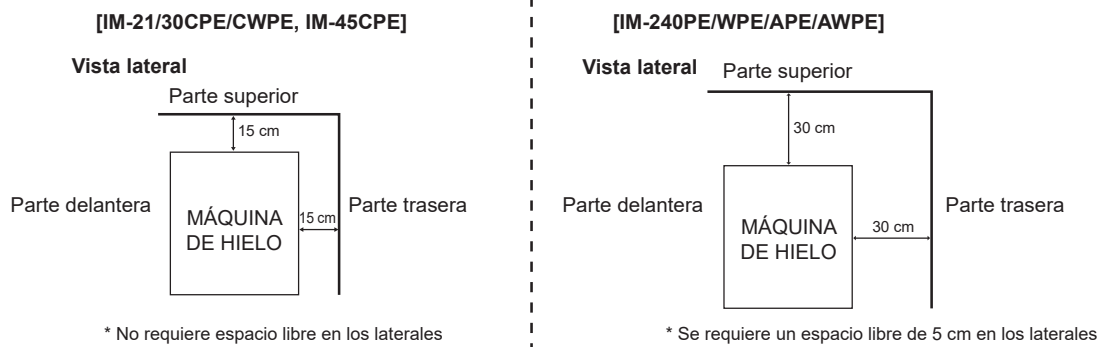
No coloque nada encima de la máquina de hielo ni delante de la rejilla.

IMPORTANTE

La temperatura ambiente normal de funcionamiento deberá oscilar entre 1 °C y 40 °C. La conexión al suministro de agua es únicamente para agua fría. La utilización de la máquina de hielo fuera de estos márgenes de temperatura normal por periodos prolongados puede afectar su capacidad de producción.

Clase climática 5: Este aparato ha sido sometido a pruebas de seguridad eléctrica para su funcionamiento a una temperatura ambiente máxima de 43 °C con una humedad relativa del 40 %. No obstante, la temperatura ambiente de trabajo normal debe situarse entre 7 °C y 38 °C.

Deje el espacio especificado a continuación para permitir la circulación de aire y facilitar las eventuales operaciones de reparación o mantenimiento.



Es posible que en algunos entornos con un nivel alto de humedad se forme condensación en el interior de la máquina y gotee en el suelo. No la instale en suelos sensibles al agua.

Evite la exposición prolongada del equipo a la luz del sol directa.

5. INSTALACIÓN

⚠ ATENCIÓN

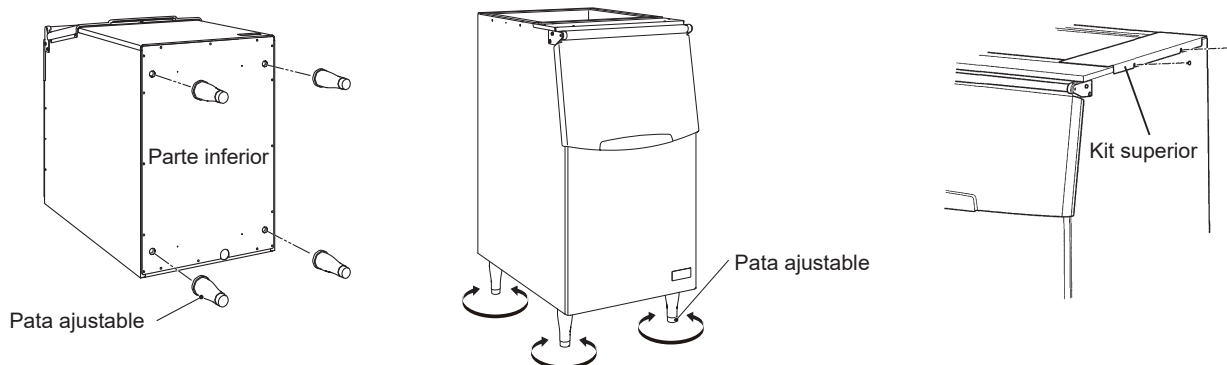
El fabricante no se hace responsable de los daños a personas, animales u otros elementos provocados por una instalación incorrecta.

[a] Modelo autónomo

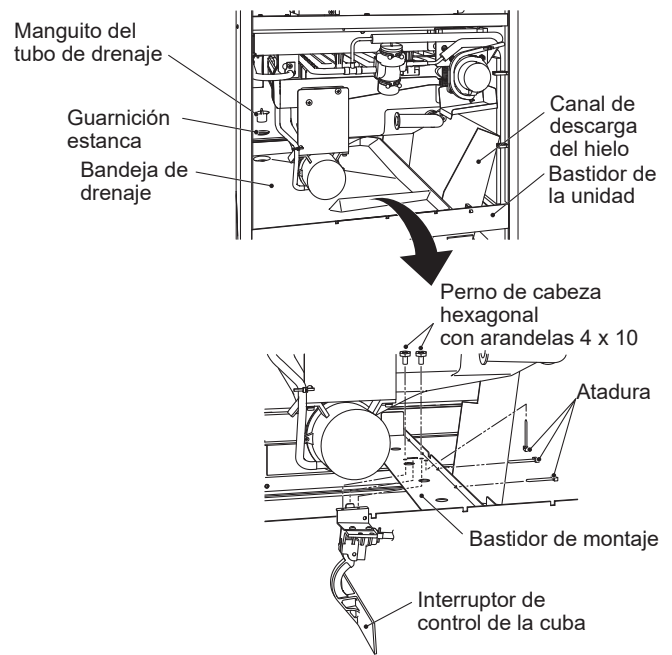
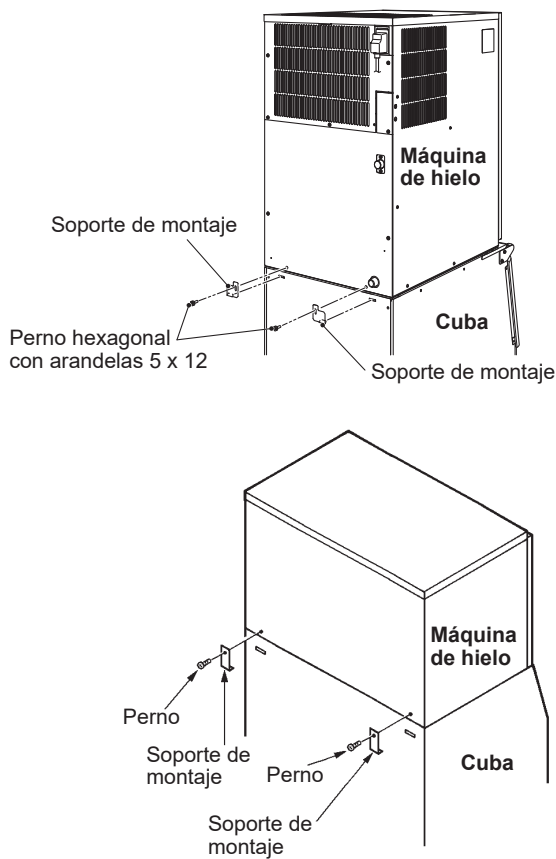
- 1) Sitúe la máquina de hielo en la ubicación permanente escogida.
- 2) Asegure las patas regulables en altura (acesorias) en los orificios roscados de la parte inferior de la máquina de hielo y nivele la unidad tanto respecto del eje lateral como del anteroposterior.

[b] Modelo modular

- 1) Tumbes con cuidado la cuba de almacenamiento sobre su parte posterior para evitar dañarla. Asegure las cuatro patas ajustables (acesorio de la cuba) en los cuatro orificios roscados situados en la parte inferior de la cuba.
- 2) Coloque la cuba de almacenamiento en la posición permanente seleccionada y nivélela tanto respecto del eje lateral como del anteroposterior.



- 3) Utilice los tornillos proporcionados en la parte izquierda o la derecha de la cuba de almacenamiento para instalar el kit superior según sea necesario.
- 4) Desmonte las tapas de la máquina de hielo. No es necesario desmontar la tapa trasera para la instalación. Consulte "3. DESEMBALAJE".
- 5) Coloque la máquina de hielo en la parte superior de la cuba de almacenamiento. Tenga cuidado de no dañar la máquina de hielo.
- 6) Asegure la máquina de hielo a la cuba de almacenamiento por la parte trasera mediante los soportes de montaje y los pernos que se proporcionan.
- 7) Con un sellador apto para alimentación, selle la junta entre la máquina de hielo y la cuba de almacenamiento.
- 8) Solo para el modelo tipo A: extraiga el manguito del tubo de drenaje y la bandeja de drenaje. Fije el interruptor de control de la cuba al bastidor de montaje con los dos pernos que se proporcionan. Sujete los cables del interruptor de control de la cuba con las dos abrazaderas de nylon. Coloque el canal de descarga del hielo en el bastidor de la unidad y vuelva a montar la bandeja de drenaje en su posición correcta.
- 9) Monte de nuevo las tapas de la máquina de hielo en su posición correcta.



[c] Modelo modular apilable – Tipo D / X

AVISO

Compruebe cada modelo de máquina de hielo. Para acoplar dos máquinas de hielo se necesita una máquina de hielo del tipo D y otra del tipo X. Para acoplar tres máquinas de hielo se necesita una máquina de hielo del tipo D y dos del tipo X. La máquina de hielo del tipo D está diseñada a modo de unidad superior, y la del tipo X a modo de unidades media e inferior.

Las máquinas de hielo del tipo D y X vienen con dos tipos de interruptor de control de la cuba diferentes. Utilice el interruptor de control de la cuba de la máquina de hielo inferior (y media) del tipo X para acoplar máquinas de hielo. El interruptor de control de la cuba debe extraerse de la unidad superior. Una conexión incorrecta o la falta de conexión puede causar daños graves a las unidades de las máquinas de hielo, lo que provocaría fallos.

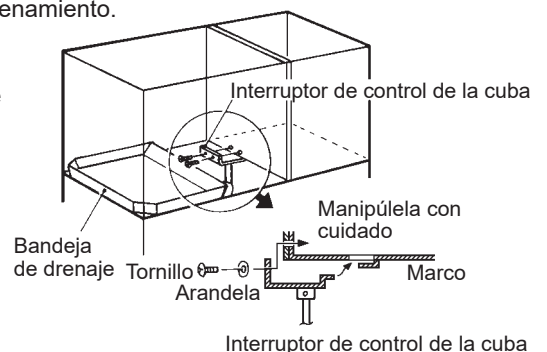
1) Prepare y coloque la cuba de almacenamiento tal y como se muestra en los pasos 1), 2), 3) y 4) de “5. INSTALACIÓN”.

2) Acople la unidad inferior (del tipo X) a la parte superior de la cuba de almacenamiento.

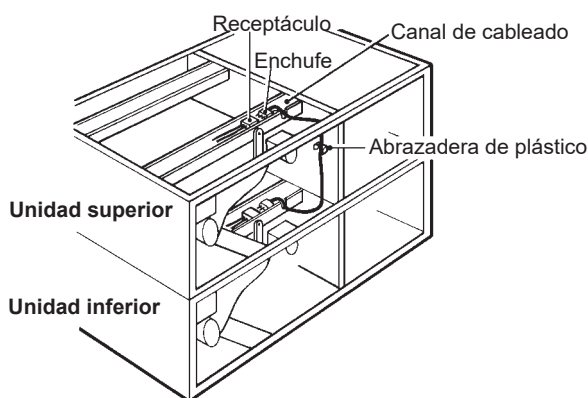
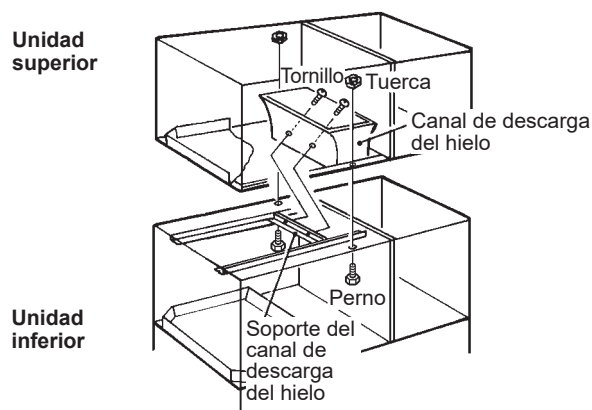
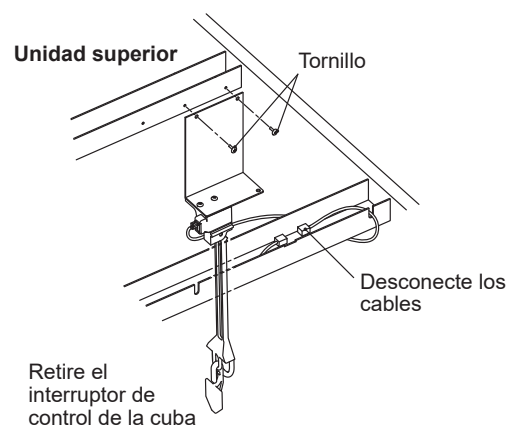
3) Asegure la unidad inferior (del tipo X) a la cuba de almacenamiento por la parte trasera mediante los soportes de montaje y los pernos que se proporcionan.

4) Retire la cinta de embalaje que sujeta el interruptor de control de la cuba a la bandeja de drenaje. Acople el interruptor de control de la cuba al marco situado en la parte inferior izquierda de la unidad condensadora y asegúrelo mediante los dos tornillos y las dos arandelas que se proporcionan.

5) Antes de acoplarla, desconecte los cables del interruptor de control de la cuba (con enchufe de tres vías) de la unidad superior o media. Retire los tornillos y el interruptor de control de la cuba. Si acopla dos o tres máquinas de hielo, no necesitará el interruptor de la unidad superior. Guárdelo tras su extracción.



- 6) Acople la unidad superior o media a la unidad inferior.
- 7) Asegure las dos unidades mediante los dos pernos y las dos tuercas que se proporcionan.
- 8) Coloque el canal de descarga del hielo (accesorio de la unidad inferior o media) y asegúrelo al soporte mediante los dos tornillos.
- 9) Conecte los cables (con enchufe de tres vías) situados en el canal de cableado de la unidad inferior al receptáculo de la unidad superior, que se desconectaron en el paso 6). Asegure los cables mediante la abrazadera de plástico que se proporciona.



- 10) Vuelva a montar las tapas de la máquina de hielo en su posición correcta.

Nota: para acoplar tres máquinas de hielo, repita los pasos 6) a 11) para la unidad superior. Tenga en cuenta que solo se necesita UN interruptor de control de la cuba independientemente de la configuración. Los cables de extensión del interruptor de control de la cuba se han conectado previamente al enchufe y estarán enrollados en el canal de cableado del tipo X.

6. CONEXIONES ELÉCTRICAS

⚠ ADVERTENCIA

ESTA MÁQUINA DEBE CONECTARSE A TIERRA

Esta máquina de hielo requiere una conexión a tierra conforme a la normativa eléctrica nacional y local.

Para evitar la posibilidad de fuertes descargas eléctricas a personas o graves averías de la unidad, conecte a la máquina un cable de puesta a tierra adecuado.

Antes de realizar operaciones de mantenimiento, reparación o limpieza, desconecte la unidad de la red eléctrica.

* Este equipo necesita una alimentación de 220 - 240 V CA aparte:

10 A [IM-21/30CPE/CWPE, 45CPE/PE/WPE, 65PE/WPE, 100/130CPE/PE/WPE/APE]

13 A [IM-240PE/WPE/APE/AWPE/DPE/DWPE/XPE/XWPE]

* El suministro eléctrico debe protegerse con un disyuntor apropiado.

* El fusible principal de la caja de control es de 5 A y sólo debe sustituirlo un técnico de mantenimiento cualificado.

* Normalmente son necesarios un permiso eléctrico y los servicios de un electricista acreditado.

Únicamente en el Reino Unido y la República de Irlanda

* Los hilos del cable de red están coloreados de acuerdo con el código siguiente:

Verde y amarillo = Tierra

Azul = Neutro

Marrón = Activo

Es posible que los colores de los hilos del cable de red de este equipo no se correspondan con las marcas de color que identifican los terminales del enchufe que se utilice. En ese caso, proceda del modo siguiente:

El hilo verde y amarillo se debe conectar al terminal del enchufe marcado con la letra E, o con el símbolo \perp , o de color verde o de color verde y amarillo.

El hilo azul debe conectarse al terminal marcado con la letra N.

El hilo marrón debe conectarse al terminal marcado con la letra L.

7. SUMINISTRO DE AGUA Y CONEXIONES DE DRENAJE

⚠ ADVERTENCIA



Conecte la máquina únicamente a un suministro de agua fría potable.

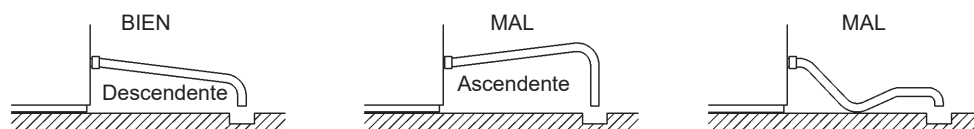
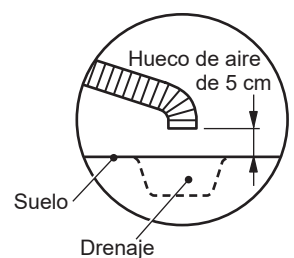
- * La conexión a la red de suministro general de agua debe hacerse según la regulación vigente de cada país en materia de suministro de agua o racores.
- * El agua de la máquina de hielo debe ser potable. En los casos en los que la acumulación de sarro se deba a la calidad del agua:
 - Se recomienda la instalación de un descalcificador o un filtro externo. Póngase en contacto con un profesional en el tratamiento de aguas local o con un agente de servicio de Hoshizaki.
 - Se recomienda el cambio al modo de "aclaramiento con drenaje completo". Póngase en contacto con el servicio técnico de Hoshizaki de su zona.
- * En algunas zonas pueden ser necesarios un permiso para obras de fontanería y los servicios de un fontanero acreditado.
- * La temperatura nominal de suministro de agua es de 5 - 35 °C a una presión nominal de 0,05 - 0,8 MPa (0,5 - 8 bar) con un caudal requerido de 3,8 L/min. Si la presión es superior a 0,8 MPa (8 bares), utilice una válvula reductora adecuada. **NO** intente reducir la presión actuando sobre la llave de paso.
- * Asegúrese de que utiliza los tubos nuevos que se suministran con el equipo. No reutilice ninguna manguera antigua.

[a] Conexiones de drenaje

* Las tuberías no deberían colocarse directamente al drenaje. Debe quedar un hueco de aire vertical de al menos 5 cm entre el extremo de las mangueras de drenaje de la máquina de hielo y el drenaje del suelo.

Modelos de drenaje por gravedad]

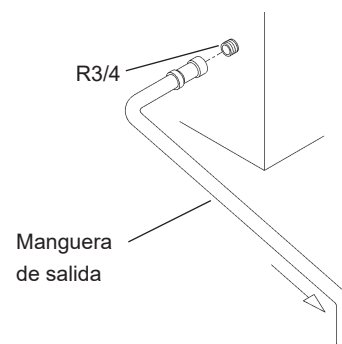
* El drenaje de la máquina de hielo se realiza por gravedad, de modo que la manguera de drenaje debe disponer de la pendiente y altura adecuadas, tal como se muestra.



* Para prevenir el retorno de flujo a la cuba de almacenamiento, la manguera de salida debe disponerse como se muestra.

Excepto IM-130CPE

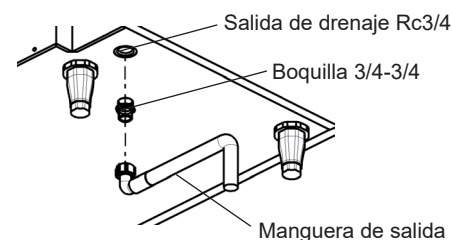
- 1) Apriete a mano la manguera flexible gris de salida (accesorio) en el racor R3/4 en la parte trasera de la máquina de hielo tal como se muestra, verificando que la arandela de goma quede correctamente colocada para obtener una conexión estanca. Puede cortar la manguera a la longitud necesaria ajustándola a la posición del drenaje principal.



IM-130CPE

- 1) Con unos alicates o una llave adecuada, apriete la boquilla 3/4-3/4 (accesorio) en el racor Rc3/4 de la parte inferior de la máquina de hielo, tal como se muestra. Debe utilizarse cinta P.T.F.E. y un compuesto sellador adecuado para obtener una junta estanca.

Nota: los componentes de la junta deben ser adecuados y homologados para uso con agua potable.



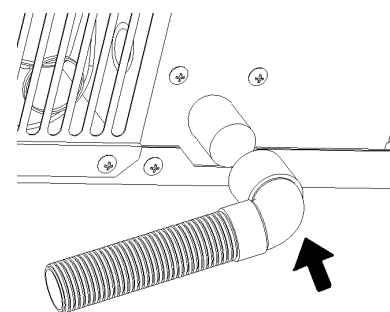
- 2) Apriete a mano la manguera flexible gris de salida (accesorio) en la boquilla 3/4-3/4 tal como se muestra, verificando que la arandela de goma quede correctamente colocada para obtener una conexión estanca. Puede cortar la manguera a la longitud necesaria ajustándola a la posición del drenaje.

[Modelo de bomba de drenaje]

- 1) Conecte el extremo acodado de la manguera flexible de salida (accesorio) al racor a presión de 22 mm de diámetro situado en la parte trasera de la máquina de hielo tal como se muestra y compruebe que la abrazadera esté colocada sobre el extremo acodado para obtener una conexión estanca.

- 2) Se aconseja que la manguera de drenaje tenga una ligera pendiente descendente antes de ponerse en posición vertical.

Nota: Altura máxima (H) de 1,5 m a una longitud (L) de 5 m, Longitud máxima (L) de 15 m a una altura de 0,5 m

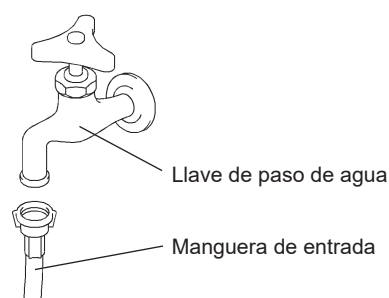
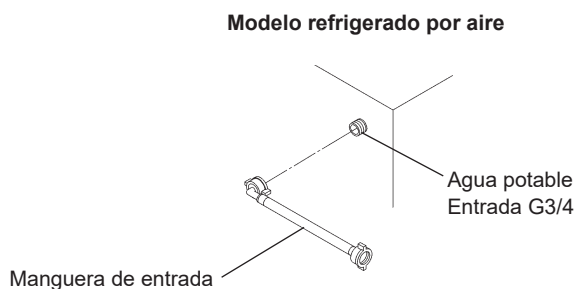


La manguera provista en el kit de accesorios tiene 2 m de largo, para aumentar la longitud de la manguera de drenaje, reemplace la manguera de salida con una manguera con un diámetro interno de 22 mm hasta los valores máximos que se muestran arriba.

[b] Suministro de agua potable – Modelos refrigerados por aire y agua

- 1) Una el extremo acodado de la manguera flexible de entrada (accesorio) al racor G3/4 en la parte posterior de la máquina de hielo, tal como se muestra, verificando que la junta de goma quede correctamente colocada. Apriete a mano lo suficiente para conseguir una junta estanca.

- 2) Acople el otro extremo de la manguera de entrada al colector de agua, comprobando, antes de apretar a mano como se indica anteriormente, que la junta esté bien colocada. Como medida de precaución, es conveniente tener a mano una válvula de cierre.



Nota: Para evitar la reducción del rendimiento o el mal funcionamiento causado por la formación de incrustaciones, el suministro de agua debe tener un arsénico no superior a 150mg/L y un contenido de sílice no superior a 30mg/L. En caso contrario, será necesario instalar un dispositivo de tratamiento de agua adecuado.

[c] Suministro de agua de condensación - Modelo refrigerado por agua

* Hoshizaki recomienda conectar el condensador refrigerado por agua a un sistema de refrigeración de circuito cerrado que utilice una torre, refrigerador de agua o similar. La admisión de agua debe efectuarse mediante una disposición con válvula de bola/depósito de vaciado.

* Aunque conectar un condensador refrigerado por agua a la red de suministro general de agua (potable) no afectará al funcionamiento de la máquina, con toda probabilidad provocará un alto consumo/desperdicio de un recurso valioso, por lo que no se recomienda.

* Para asegurar una correcta instalación debe recurrirse a los servicios de un fontanero acreditado.

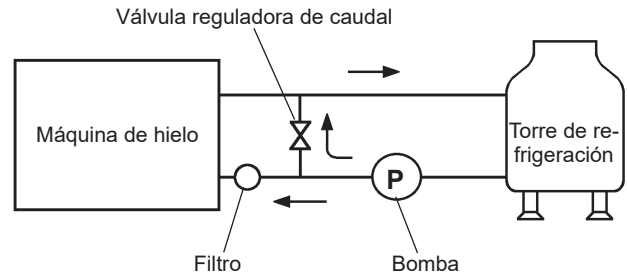
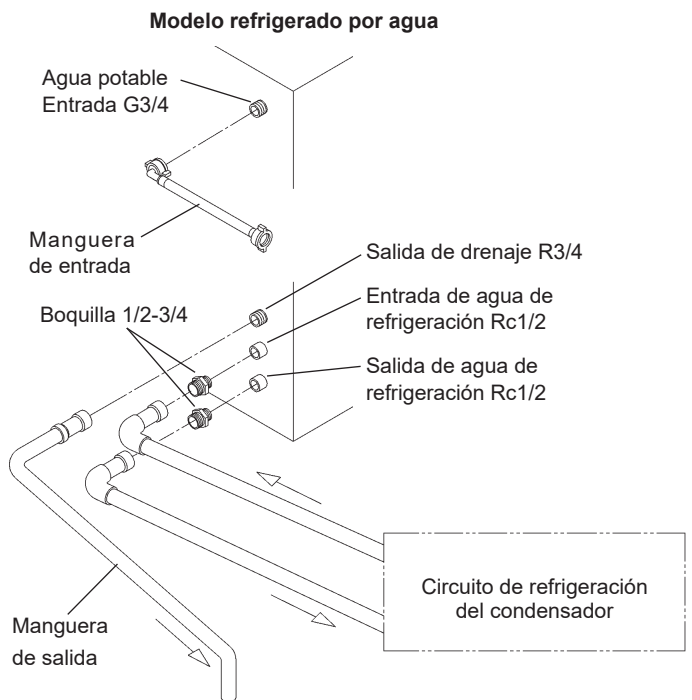
* Las conexiones deben efectuarse adecuadamente y conforme a las normativas nacionales o locales vigentes.

* Los tubos entre la torre de refrigeración y la máquina de hielo deben tener un diámetro mínimo de 20 mm a fin de reducir la pérdida de presión, aun cuando los racores de la máquina tengan un diámetro de 13 mm.

* La pérdida de presión en el circuito de agua en el interior de la unidad será de 5-6 m cuando el agua de refrigeración circule a 4-5 l/min.

* Para seleccionar una torre de refrigeración, remítase a los valores máximos siguientes de flujo de calor en el condensador:

Modelo	IM-30CW/45W:	295 - 760 W
	IM-65W:	875 W
	IM-100/130W:	1.165 W
	IM-240W:	5.235 W



* Seleccione una bomba de circulación conforme a los valores anteriormente indicados de flujo de calor.

* No utilice una bomba en cascada, puesto que el regulador de agua alterará el caudal y lo detendrá durante el ciclo de descongelación.

[d] Conexiones de la máquina de hielo

1) Con unos alicates o una llave adecuada, apriete las boquillas 1/2-3/4 (accesorio) a los racores Rc1/2 de la parte posterior de la máquina de hielo, tal como se muestra. Debe utilizarse cinta P.T.F.E. y un compuesto sellador adecuado para obtener una junta estanca.

Nota: los componentes de la junta deben ser adecuados y homologados para uso con agua potable.

2) Acople dos de los extremos acodados de la manguera flexible (accesorio) a la boquilla 1/2-3/4 fijada a la máquina de hielo, comprobando que la junta de goma quede correctamente colocada. Apriete a mano lo suficiente para conseguir una junta estanca.

3) Conecte el circuito de refrigeración del condensador al extremo libre de los tubos flexibles (accesorio) fijadas a las boquillas 1/2-3/4 de la forma indicada y compruebe que ninguna unión presente fugas.

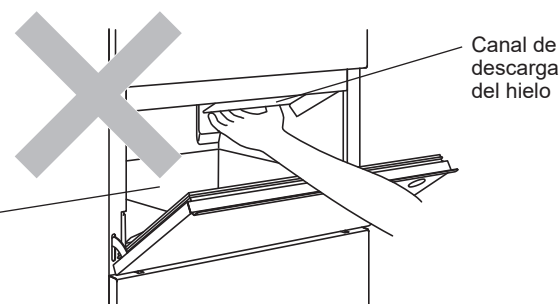
Nota: si se utiliza un filtro o tratamiento del agua, verifique que solo se suministre agua tratada a la parte de fabricación de hielo, no al condensador.

II. INSTRUCCIONES DE FUNCIONAMIENTO

⚠ ATENCIÓN

No coloque las manos en la parte trasera de la cuba de almacenamiento ni en el canal de descarga del hielo situado en la parte superior de esta. Puede caerse hielo de la máquina de hielo o un bloque de hielo se puede romper de repente, o incluso el mecanismo de la máquina de hielo podría moverse, causándole una lesión.

Cuba de almacenamiento



AVISO

Todos los componentes están ajustados de fábrica. Un ajuste incorrecto puede provocar averías.

Si desconecta la unidad, espere al menos 3 minutos antes de ponerla de nuevo en marcha para evitar que el compresor se averíe.

Cuando se produce un error (EG) o se rompe la bomba de drenaje, la unidad dejará de funcionar para evitar el sobreflujo.

⚠ HIGIENE

Esta máquina de hielo ha sido diseñada para producir hielo comestible. Para mantener la higiene de la máquina:

- * Lávese las manos antes de extraer hielo. Utilice la pala de plástico que se suministra (accesorio).
- * La cuba de almacenamiento solo puede utilizarse para el hielo. No almacene en la cuba ninguna otra cosa ni utilice otros aparatos eléctricos en ella.
- * Limpie la cuba de almacenamiento antes de utilizarla (véase "III. 1. LIMPIEZA").
- * Mantenga la pala limpia. Límpiela con un detergente neutro y aclárela bien.
- * Cierre la puerta después de extraer hielo para evitar que entren suciedad, polvo o insectos en la cuba de almacenamiento.

1. PUESTA EN MARCHA

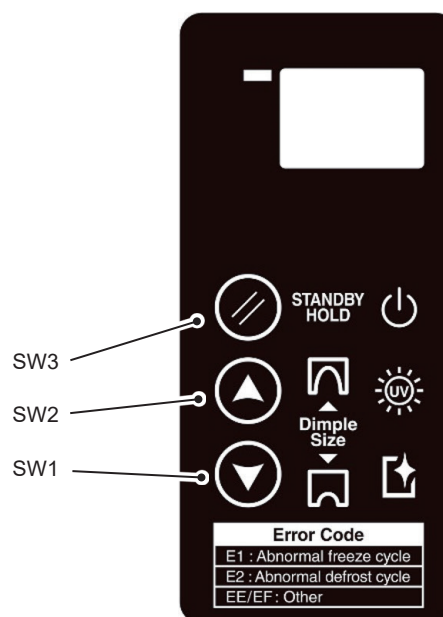
El instalador normalmente prepara la máquina de hielo para que arranque con el proceso automático de producción. Para garantizar el funcionamiento en régimen continuo, asegúrese de que:

- * La llave de paso del agua está abierta, y que
- * La máquina de hielo está enchufada en la red de alimentación eléctrica

Modo	Espera	Fabricación de hielo	Control de contenedores
Pantalla			

2. CONTROLES

	Presione	Mantenga presionado
SW3	Reinicia la máquina, inicia el ciclo de descongelación.	Pone la máquina en modo de espera, la misma función que el contenedor lleno, la alimentación aún encendida.
SW2	Aumenta el tamaño de los hoyuelos.	Activa el modo de higienización UV.
SW1	Disminuye el tamaño de los hoyuelos.	Activa el modo de limpieza.



3. PREPARACIÓN DE LA MÁQUINA DE HIELO PARA UN ALMACENAMIENTO PROLONGADO

AVISO

Esta máquina de hielo no funciona a temperaturas inferiores al punto de congelación del agua. Para prevenir averías en la tubería de suministro de agua, drene la máquina de hielo cuando la temperatura del aire sea inferior a cero.

⚠ HIGIENE

Si va a tener la máquina de hielo apagada durante dos o más días, drénela para evitar la contaminación del circuito de agua.

- 1) Desenchufe la máquina de hielo o desconecte la alimentación eléctrica.
- 2) Cierre la llave de paso del agua y desmonte la manguera de entrada.
- 3) Extraiga todo el hielo de la cuba de almacenamiento y límpiela.
- 4) Solicite a personal cualificado que realice el drenaje de la máquina de hielo.

III. MANTENIMIENTO

1. LIMPIEZA

⚠ ADVERTENCIA

Antes de realizar cualquier operación de limpieza o mantenimiento, desenchufe la máquina de hielo de la red eléctrica.

Esta máquina no debe limpiarse con un chorro de agua.

⚠ ATENCIÓN

Si va a utilizar un detergente neutro o hipoclorito sódico, lea bien y asegúrese de entender las instrucciones proporcionadas para evitar posibles problemas de salud.

AVISO

Solicite a personal capacitado de mantenimiento la limpieza y esterilización del sistema de agua de la máquina de hielo al menos dos veces al año y la revisión y limpieza del condensador al menos una vez al año.

Para evitar posibles daños, no limpie las piezas de plástico con agua a una temperatura superior a 40 °C o en un lavavajillas.

[a] Exterior de la máquina y de la cuba

Limpie el exterior al menos una vez por semana con un trapo limpio y suave. Utilice un trapo humedecido con un detergente neutro para eliminar la grasa o la suciedad. Después de la limpieza, trate las superficies externas con un producto de cuidado de acero inoxidable para evitar la corrosión causada por influencias externas agresivas.

[b] Limpieza/esterilización de la pala y el asa de la cuba de almacenamiento (cada día)

- 1) Mezcle 1 litro de agua con 4 ml de una solución de hipoclorito sódico al 5,25% en un recipiente adecuado, o bien utilice el esterilizador recomendado Hoshizaki según las instrucciones.
- 2) Sumerja la pala en la solución durante más de 3 minutos. Aclárela con abundante agua y sacúdala para eliminar el exceso de líquido.

Nota: el uso de un trapo para secarla podría contaminarla.

- 3) Utilice un detergente neutro para lavar el asa de la cuba de almacenamiento. Aclárelo con abundante agua.
- 4) Empape un trapo limpio con la solución esterilizadora y limpie el asa. Utilice agua potable y un trapo limpio para aclarar/secar.

[c] Limpieza/esterilización del interior de la cuba de almacenamiento (cada semana)

- 1) Abra la puerta de la cuba de almacenamiento y extraiga todo el hielo.
- 2) Lave la superficie de la cuba con un detergente neutro no abrasivo. Aclárelo con abundante agua.
- 3) Empape un trapo limpio con detergente neutro y limpie los dos lados de la superficie interior del ángulo y la puerta. Elimine el exceso de detergente con un trapo limpio húmedo.
- 4) Mezcle 5 litros de agua con 18 ml de una solución de hipoclorito sódico al 5,25 % en un recipiente adecuado, o bien utilice el esterilizador de agua recomendado por Hoshizaki siguiendo las instrucciones.
- 5) Empape una esponja limpia o un trapo con la solución y limpie la superficie de la cuba, la puerta y el ángulo.
- 6) La solución restante puede utilizarse para esterilizar los utensilios.

Nota: no seque con un trapo ni aclare con agua después de la esterilización; deje que se seque al aire.

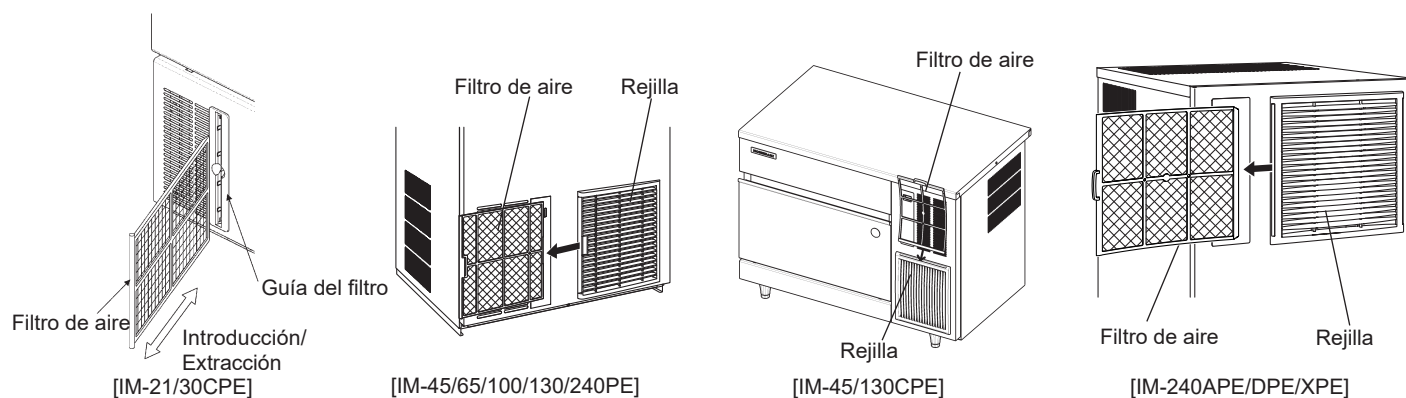
[d] Filtro de aire (solo los modelos refrigerados por aire)

Los filtros de aire con malla de plástico eliminan la suciedad o el polvo del aire y evitan que el condensador se obstruya. Si el filtro se obstruye, el rendimiento de la máquina de hielo se reduce. Desmonte y limpie los filtros de aire al menos dos veces al mes:

- 1) Deslice el filtro de aire para desmontarlo de la guía del filtro [IM-30CPE] o de la rejilla [IM-45CPE/PE, 65PE, 130CPE/PE, 240PE].
- 2) Limpie el filtro de aire con un aspirador. Cuando el filtro de aire esté muy obstruido, utilice agua tibia y un detergente neutro para lavarlo.
- 3) Aclare y seque el filtro de aire cuidadosamente.

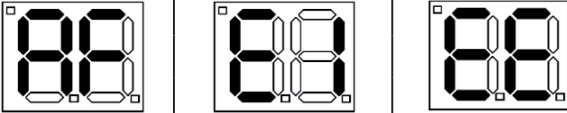
AVISO

Tras la limpieza, asegúrese de volver a colocar el filtro de aire en su lugar.



2. ANTES DE LLAMAR AL SERVICIO TÉCNICO

[a] Indicación del código de error

⚠ ADVERTENCIA			
Si en la pantalla se muestra el código de error "E", podrían producirse escapes de gas. No toque la unidad. Ventile el área y, de forma inmediata, llame al servicio de reparaciones.			
Código	Significado del error		
AF	Aviso de limpieza del filtro de aire		
AC	Aviso de limpieza del circuito de agua		
AL	Aviso de sustitución del LED UV		
C2	Detección de alta presión		
E1	Error de congelación		
E2	Error de descongelación		
EE	Otro error		

[b] Sin indicación de código de error

Si la máquina de hielo no funciona correctamente o no funciona en absoluto y en la pantalla no aparece el código de error, antes de llamar al servicio de reparaciones compruebe que:

- * La unidad está conectada a la red eléctrica.
- * El agua está conectada.
- * El filtro de aire está limpio (modelo refrigerado por aire).
- * El circuito del agua de refrigeración tiene un flujo adecuado (modelo refrigerado por agua).

Para asistencia o asesoramiento adicionales, póngase en contacto con el agente de reparaciones local de Hoshizaki.

3. ELIMINACIÓN

Siga las normativas locales aplicables a la eliminación de este equipo y el gas refrigerante que contiene. Antes de desechar el equipo, quite la puerta para evitar que los niños puedan quedarse atrapados en su interior.

Eliminación correcta de este producto:

Estas marcas indican que está prohibido eliminar este producto junto con otros desechos de uso doméstico en todo el territorio de la UE. Para evitar el posible daño al medioambiente o a la salud pública, provocado por la eliminación no controlada de desechos, recíclelos de forma responsable para fomentar la reutilización sostenible de los recursos materiales. Para devolver el dispositivo usado, utilice los sistemas de devolución y recogida o póngase en contacto con el punto de venta en el que adquirió el producto. El personal se encargará de que el producto se recicle respetando el medio ambiente.



4. GARANTÍA

Hoshizaki garantiza al usuario/propietario que ninguno de los productos de su marca presentarán defectos de material o mano de obra durante la duración del "periodo de garantía". La garantía será efectiva a partir de la fecha de instalación.

La responsabilidad de Hoshizaki según los términos de esta garantía es limitada y excluirá el servicio de rutina, la limpieza, el mantenimiento esencial y/o las reparaciones ocasionadas por uso incorrecto y por instalaciones que no se ajusten a las instrucciones de Hoshizaki.

Las reparaciones cubiertas por la garantía deberán ser realizadas por un distribuidor o centro de servicio homologado de Hoshizaki empleando componentes originales de Hoshizaki.

Para más detalles sobre la garantía y los centros de servicio homologados, póngase en contacto con su distribuidor/proveedor, o con la oficina de Servicio Técnico de Hoshizaki más próxima:

Europa, Oriente Medio, África

Hoshizaki UK - Reino Unido, Irlanda
TEL.: +44 845 456 0585
FAX: +44 132 283 8331
uksales@hoshizaki.uk

Hoshizaki Middle East - Oriente Medio
TEL.: +971 48 876 612
FAX: +971 48 876 613
sales@hoshizaki.ae

Hoshizaki Deutschland - Alemania, Suiza, Austria
TEL: +49 5121 697370
FAX: +49 5121 6973719
stoerung@hoshizaki.de

Hoshizaki Benelux - Holanda, Bélgica, Luxemburgo
Tel.: +31 85 018 83 70
info@hoshizaki.nl

Hoshizaki France - Francia
TEL.: +33 1 48 63 93 80
FAX: +33 1 48 63 93 88
info@hoshizaki.fr

Hoshizaki Italia - Italia
TEL.: +39 (0)2 30557106
TEL.: +39 348 3022156
info@hoshizaki.it

Hoshizaki Iberia - España, Portugal
TEL.: +34 93 478 09 52
FAX: +34 93 478 08 00
info@hoshizaki.es

Hoshizaki Europe B.V. - Resto de países de Europa y África
TEL: +31 20 6918499
FAX: +31 20 6918768
sales@hoshizaki.nl

Asia, Oceanía

Hoshizaki Singapore
TEL: +65 6225 2612
FAX: +65 6225 3219
sales@hoshizaki.com.sg (ventas)
serviceadmin@hoshizaki.com.sg (asistencia técnica)

Hoshizaki Hong Kong
TEL: +852 2866 2108
FAX: +852 2866 2109

Hoshizaki Taiwan
TEL: +886 2 2706 8818
FAX: +886 2 2708 7999

Hoshizaki Lancer
TEL: +61 8 8268 1388
FAX: +61 8 8268 1978

INFORMAZIONI IMPORTANTI SULLA SICUREZZA

All'interno del manuale compaiono degli avvertimenti che intendono attirare l'attenzione dell'operatore su situazioni che potrebbero causarne la morte, lesioni gravi o danneggiare l'apparecchio.

▲AVVERTENZA	Indica una situazione pericolosa che, se non evitata, potrebbe causare la morte o lesioni gravi.
▲ATTENZIONE	Indica una situazione pericolosa che, se non evitata, potrebbe causare lesioni di lieve o media entità.
AVVISO	Indica una situazione pericolosa che, se non evitata, potrebbe causare danni all'unità.
▲IGIENE	Indica importanti precauzioni per l'igiene e la sicurezza alimentare.
IMPORTANTE	Indica informazioni importanti in merito all'uso e alla manutenzione dell'unità.

La macchina utilizza un refrigerante senza HFC (propano) che non danneggia l'ozono e materiali ecosostenibili che hanno un potenziale di riscaldamento globale molto basso.

▲AVVERTENZA	
L'unità di raffreddamento della macchina contiene un refrigerante infiammabile; pertanto l'installazione, la movimentazione, la manutenzione e lo smaltimento possono essere eseguiti esclusivamente da tecnici autorizzati.	
Il refrigerante contenuto in questa macchina è infiammabile e sigillato nell'impianto di refrigerazione. Anche se non si verificano perdite di refrigerante con il normale utilizzo, prestare particolare attenzione quando si utilizza la macchina per non provocare danni all'impianto.	
In caso di danno accidentale all'impianto di refrigerazione con conseguente perdita di refrigerante: * Evitare la creazione di fonti di innesco nell'area. * Non azionare interruttori o utilizzare spine elettriche nell'area. * Evitare l'uso di fiamme libere. * Aprire immediatamente porte e/o finestre per ventilare l'area. * Contattare un tecnico dell'assistenza.	
IMPORTANTE	
Il presente manuale è parte integrante e fondamentale del prodotto e deve essere conservato con cura dall'utente.	
Si raccomanda di leggere con attenzione le indicazioni e le avvertenze ivi contenute, volte a fornire all'installatore/utente le informazioni fondamentali per la corretta installazione, l'utilizzo prolungato e la manutenzione del prodotto in condizioni di sicurezza.	
Si raccomanda di conservare il presente manuale per eventuali necessità di consultazione future.	
Questi prodotti sono classificati IP20.	

▲AVVERTENZA

Questa è una macchina industriale e deve essere utilizzata esclusivamente per gli impieghi per la quale è stata espressamente progettata.

Qualunque altro impiego è da considerarsi improprio e pertanto pericoloso. La casa costruttrice declina ogni responsabilità per eventuali danni provocati da uso improprio, non corretto o sconsiderato.

L'installazione e, se necessario, lo spostamento, devono essere eseguiti da personale specializzato, in conformità alle norme vigenti e alle istruzioni della casa costruttrice.

Mantenere prive di ostruzioni le aperture di ventilazione della custodia della macchina o della struttura incorporata.

Non utilizzare dispositivi meccanici o altri mezzi diversi da quelli indicati dal produttore per accelerare il processo di sbrinamento.

L'utilizzo di qualsiasi apparecchio elettrico implica l'osservanza di alcune norme fondamentali. In particolare:

- * Ubicando la macchina in ambienti ad alta umidità, si aumenta il rischio di cortocircuiti elettrici e di eventuali scosse elettriche. In caso di dubbi, disinserire la macchina.
- * Non danneggiare il cavo dell'alimentazione elettrica né tirarlo per scollegare la spina della macchina dalla rete di alimentazione.
- * All'occorrenza, il cavo di alimentazione elettrica e la spina devono essere sostituiti solo da personale di servizio qualificato.
- * Non toccare parti elettriche né gli interruttori con le mani bagnate.
- * La macchina non deve essere utilizzata da persone (inclusi i bambini) con capacità fisiche, sensoriali o mentali ridotte o con mancanza di competenze e conoscenze adeguate. È tuttavia consentito l'uso da parte di bambini con età minima di 8 anni, nonché di persone con capacità fisiche, sensoriali o mentali ridotte o con mancanza di competenze e conoscenze, purché sotto la supervisione o in linea con le istruzioni sull'uso dell'apparecchio fornite da un responsabile della sicurezza dei soggetti sopra indicati.
- * I bambini non devono giocare con la macchina.
- * La pulizia e la manutenzione da parte dell'utente non devono essere effettuate da bambini senza che venga loro fornita la supervisione.
- * Non apportare modifiche alla macchina. Il disassemblaggio e la riparazione della macchina devono essere effettuati esclusivamente da personale qualificato.

Durante il posizionamento della macchina, assicurarsi che il cavo di alimentazione non sia schiacciato o danneggiato.

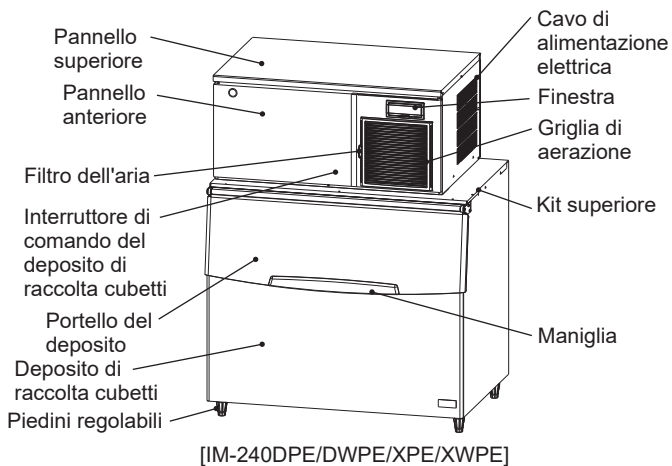
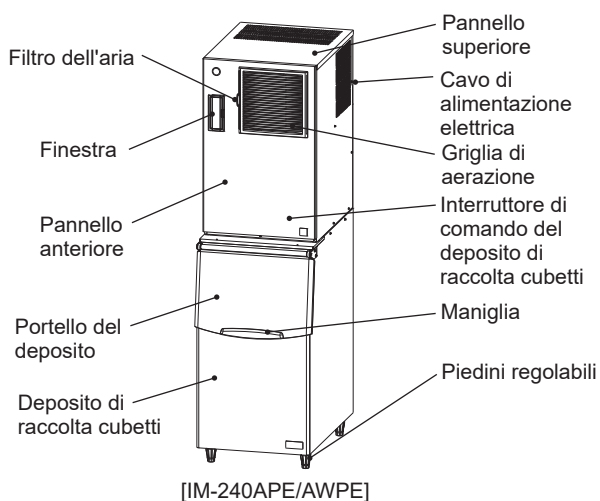
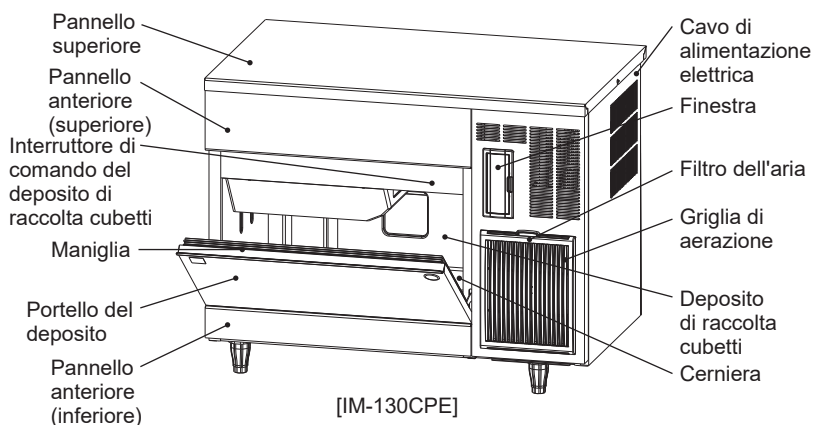
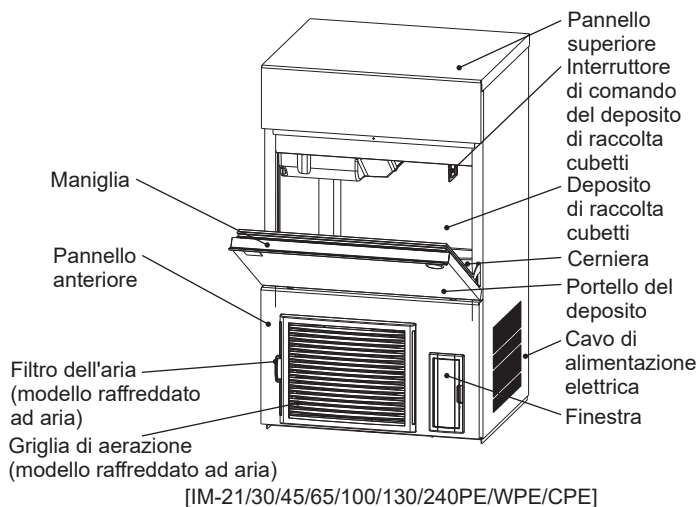
Non inserire prese multiple o alimentatori portatili sul retro della macchina.



Il significato del simbolo ISO 7010 W021 è:
Avvertenza: rischio di incendio / materiali infiammabili

I. ISTRUZIONI PER L'INSTALLAZIONE

1. COMPONENTI



2. ACCESSORI



La presenza di componenti UVC e Drain Pump varia in base al modello; Possono essere inclusi oppure esclusi a seconda della configurazione specifica.

* Qtà. 1 Fascetta stringitubo inclusa in tutti i modelli con pompa di scarico, IM-21CPE non include i piedi. I kit di compatibilità sono venduti separatamente.

[a] Modelli a riserva incorporata

	IM-21/30/45CPE, IM-45/65/100/130/240PE	IM-30CWPE, IM-45/65/100/130/240WPE	IM-130CPE
Manuale d'istruzioni	1	1	1
Guida rapida	1	1	1
Tubo di entrata	1	3	1
Tubo flessibile d'uscita	1	1	1
Attacco 3/4-3/4	-	-	1
Attacco 1/2-3/4	-	2	-
Piedino	4	4	5
Copriconnettore	1	1	1
Paletta ghiaccio	1	1	1

[b] Modelli modulari

	IM-130/240APE	IM-240AWPE	IM-240DPE	IM-240DWPE	IM-240XPE	IM-240XWPE
Manuale d'istruzioni	1	1	1	1	1	1
Guida rapida	1	1	1	1	1	1
Tubo di entrata	1	3	1	3	1	3
Tubo flessibile d'uscita	1	1	1	1	1	1
Attacco 1/2-3/4	-	2	-	2	-	2
Copriconnettore	1	1	1	1	1	1
Scivolo per ghiaccio	1	1	-	-	1	1
Staffa di fissaggio	2	2	2	2	2	2
Bullone con rondella M5x12	2	2	2	2	-	-
Bullone con rondella M4x10	-	-	-	-	4	4
Morsetto per fili	-	-	-	-	2	2
Bullone M8x16	-	-	2	2	2	2
Rondella in plastica	-	-	2	2	4	4
Dado M8	-	-	2	2	2	2

* La pompa di scarico e le funzioni UVC possono essere installate come kit opzionali. Per ulteriori informazioni, contattare il proprio rivenditore/fornitore o l'ufficio di assistenza Hoshizaki più vicino.

3. DISIMBALLAGGIO

▲AVVERTENZA

Tenere gli elementi d'imballaggio (sacchetti in plastica e polistirolo espanso) lontano dalla portata dei bambini, perché potenzialmente pericolosi.

▲ATTENZIONE

Non sollevare o maneggiare il cartone mediante il nastro d'imballaggio.

Quando si sposta l'unità manualmente, afferrarla dal basso.

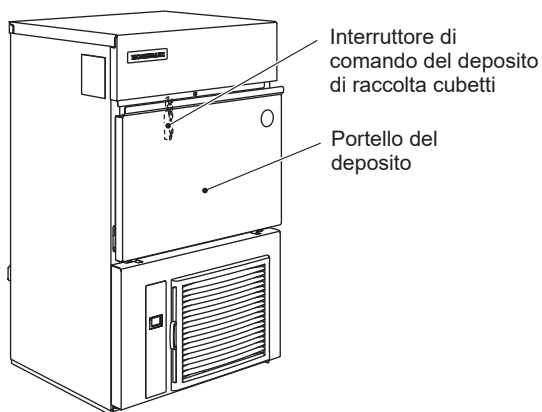
Indossare sempre guanti protettivi per trasportare l'unità.

Per evitare il rischio di lesioni, lavorare sempre in coppia quando si movimenta la scatola o l'unità disimballata.

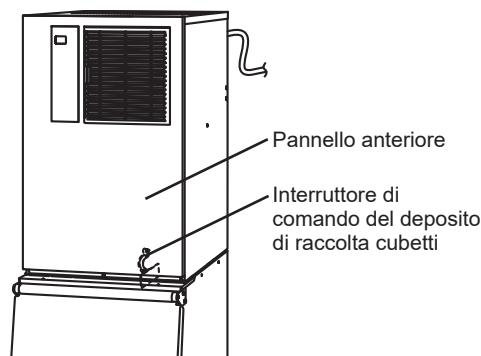
AVVISO

Rimuovere il cartone d'imballaggio, il nastro/i e l'imballaggio. La macchina non funziona in modo corretto se non si rimuove tutto il materiale d'imballaggio.

- 1) Rimuovere l'imballaggio esterno.
- 2) Dopo aver rimosso l'imballaggio, verificare che la macchina sia in buone condizioni. Qualora sorgano dubbi in merito, non utilizzare la macchina ma rivolgersi a personale qualificato.
- 3) Togliere il nastro d'imballaggio che avvolge il portello e la griglia di aerazione del pannello anteriore.
- 4) Rimuovere la pellicola protettiva in plastica dalla parte esterna. In caso di esposizione al sole o a fonti di calore, rimuovere la pellicola dopo aver lasciato raffreddare la macchina.
- 5) Rimuovere l'imballaggio contenente gli accessori. Verificarne il contenuto secondo quanto riportato al punto "2. ACCESSORI".
- 6) Togliere il nastro d'imballaggio che trattiene l'interruttore di comando del deposito di raccolta cubetti.
 - a. Modelli a riserva incorporata: aprire il portello del deposito e raggiungerne l'interno.
 - b. Modelli modulari: aprire il pannello anteriore e rimuovere l'interruttore di comando del deposito dalla coppa di scarico.



Modelli a riserva incorporata
[IM-21/30/45/65/100/130/240PE/WPE/CPE]



Modelli modulari
[IM-130/240APE/AWPE/DPE/DWPE]

Nota: i modelli modulari necessitano di un deposito di raccolta cubetti. Hoshizaki consiglia i seguenti:

- a. Tipo A (IM-130/240APE/AWPE): B-140SA
- b. Tipo D/X (IM-240DPE/DWPE/XPE/XWPE): B-340SA

4. UBICAZIONE

⚠AVVERTENZA

La macchina non è adatta per essere utilizzata all'aria aperta.

La macchina non deve essere ubicata in prossimità di forni, grill o altri apparecchi che producono calore intenso.

La macchina non è adatta per l'installazione in un'area in cui è possibile utilizzare un getto d'acqua.

⚠ATTENZIONE

Il pavimento su cui poggia deve garantire alla macchina una base solida e piana.

AVVISO

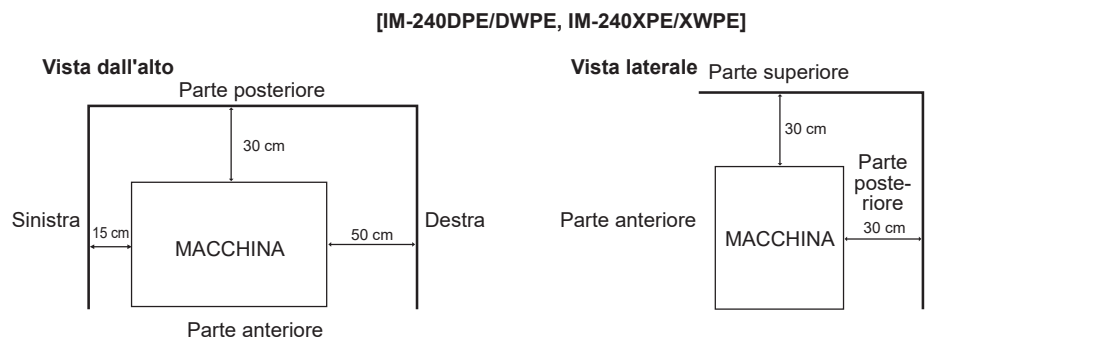
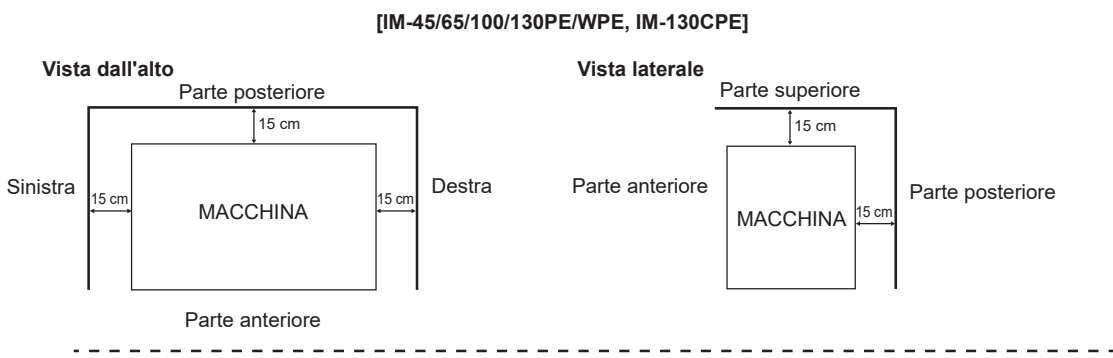
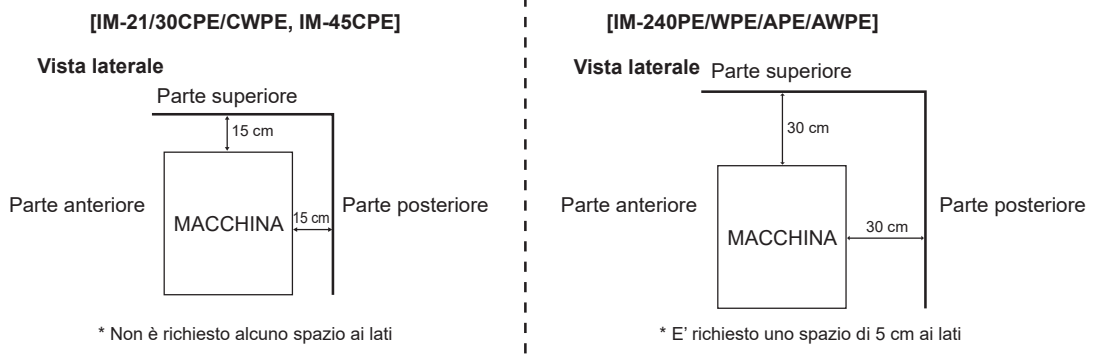
Non posizionare alcun oggetto sulla sommità della macchina e davanti alla griglia di aerazione.

IMPORTANTE

La normale temperatura ambiente d'esercizio deve essere compresa tra 1 °C e 40 °C. Il collegamento all'approvvigionamento dell'acqua è solo per acqua fredda. Il prolungato funzionamento della macchina con valori che non rientrano nelle gamme previste può comprometterne la capacità di produzione.

Classe climatica 5: la sicurezza elettrica di questo apparecchio è stata testata per il funzionamento a una temperatura ambiente massima di 43°C con un'umidità relativa del 40%. In ogni caso, la normale temperatura ambiente di esercizio deve essere compresa tra 7°C e 38°C.

Lasciare uno spazio equivalente a quello sotto specificato in modo da favorire la circolazione dell'aria e le eventuali operazioni di manutenzione o servizio.



In alcuni ambienti ad alta umidità, all'interno della macchina potrebbe formarsi della condensa che si riversa poi sul pavimento. Non installare la macchina su un pavimento che potrebbe danneggiarsi a causa dell'acqua.

Evitare l'esposizione prolungata della macchina alla luce diretta del sole.

5. INSTALLAZIONE

⚠ATTENZIONE

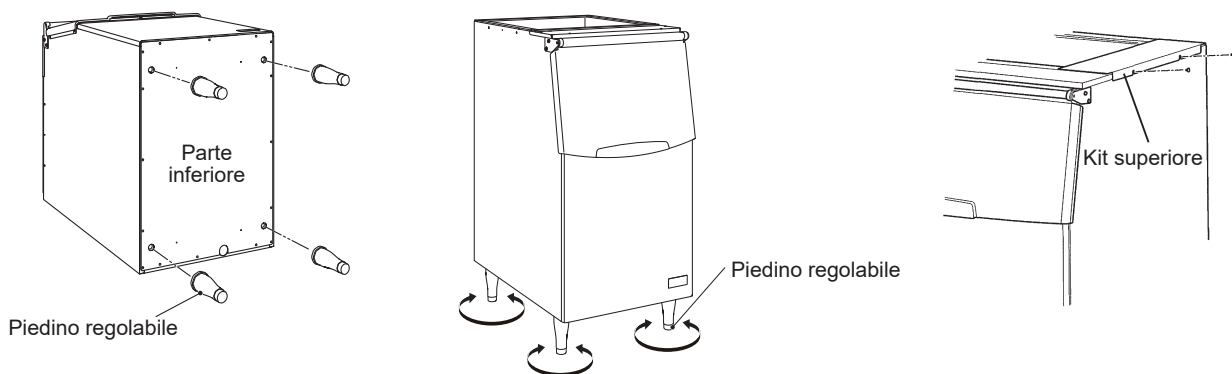
L'installazione non corretta può provocare lesioni alle persone, agli animali e danni materiali, per i quali la casa costruttrice declina ogni responsabilità.

[a] Modello a riserva incorporata

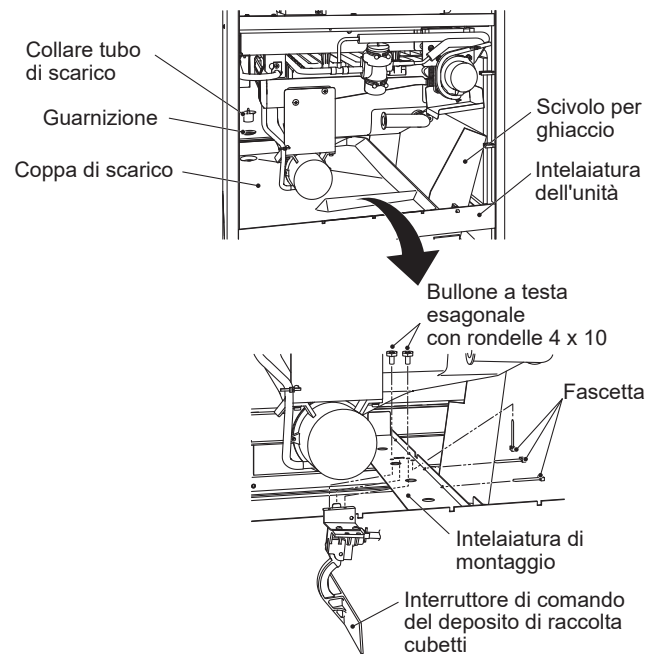
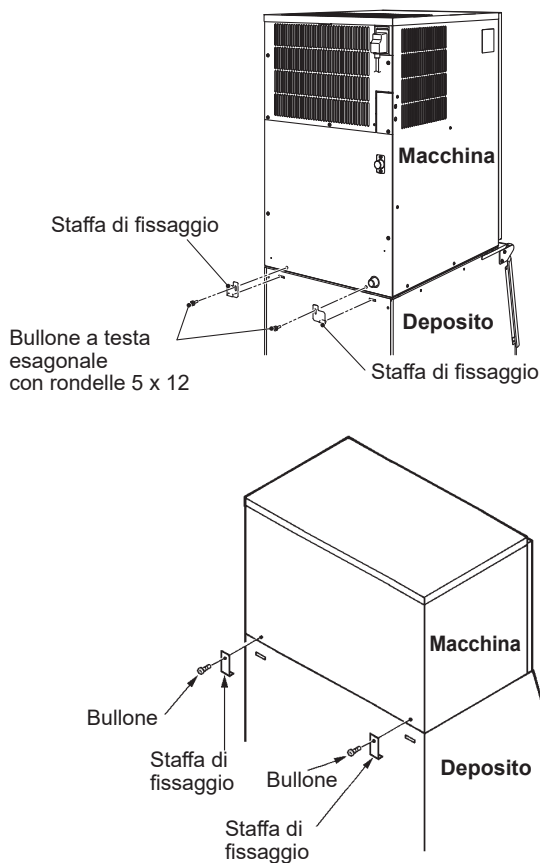
- 1) Collocare la macchina nel luogo designato per l'installazione permanente.
- 2) Fissare i piedini regolabili (accessori) nei fori filettati sul lato inferiore della macchina, quindi regolare nelle direzioni sinistra-destra e anteriore-posteriore.

[b] Modello modulare

- 1) Appoggiare con cura il deposito di raccolta cubetti sul lato posteriore al fine di evitare danni. Fissare i quattro piedini regolabili (in dotazione con il deposito) nei quattro fori filettati sul lato inferiore del deposito.
- 2) Posizionare il deposito di raccolta cubetti nell'ubicazione permanente scelta e regolare nelle direzioni sinistra-destra e anteriore-posteriore.



- 3) Per installare il kit superiore come richiesto, utilizzare le viti fornite in dotazione sul lato sinistro o destro del deposito di raccolta cubetti.
- 4) Smontare i pannelli della macchina. Non è necessario smontare il pannello posteriore per l'installazione. Vedere "3. DISIMBALLAGGIO".
- 5) Posizionare la macchina sopra il deposito di raccolta cubetti. Fare attenzione a non danneggiarla.
- 6) Fissare la macchina al deposito di raccolta cubetti posteriormente, servendosi delle staffe di montaggio e dei bulloni in dotazione.
- 7) Sigillare la linea di giunzione fra la macchina e il deposito di raccolta cubetti utilizzando un sigillante per uso alimentare.
- 8) Solo per il modello Tipo A: rimuovere il collare del tubo di scarico e la coppa di scarico. Fissare l'interruttore di comando del deposito di raccolta cubetti all'intelaiatura di montaggio con i due bulloni in dotazione. Fissare il cablaggio dell'interruttore di comando del deposito di raccolta cubetti con i due collegamenti in nylon. Posizionare lo scivolo per ghiaccio sull'intelaiatura dell'unità e rimontare la coppa di scarico nella posizione corretta.
- 9) Riposizionare i pannelli della macchina nel modo corretto.



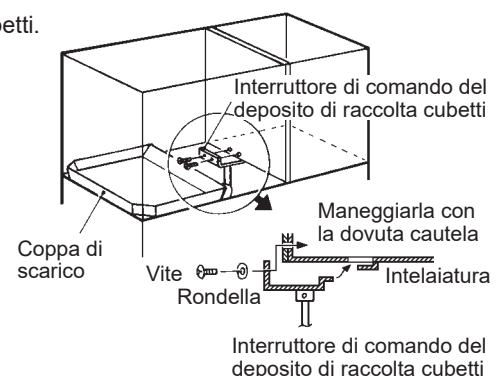
[c] Modello modulare sovrapponibile – Tipo D / X

AVVISO

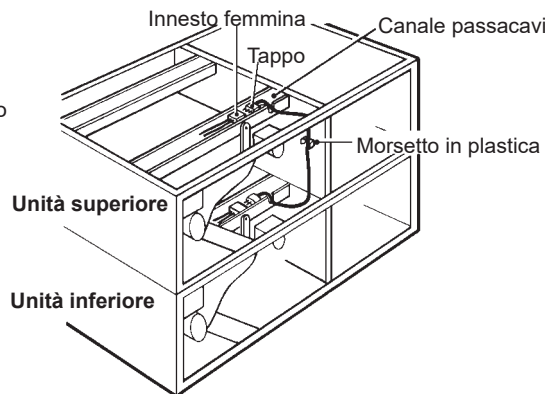
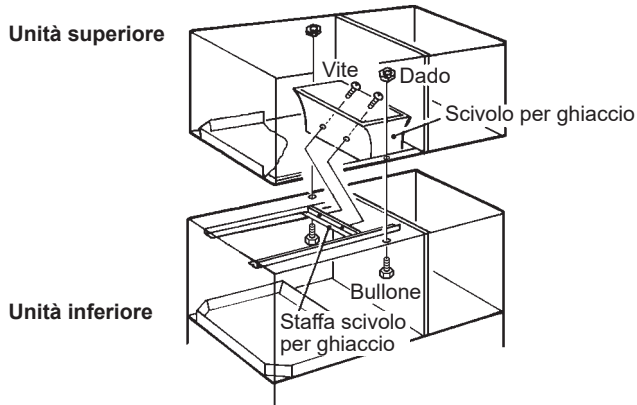
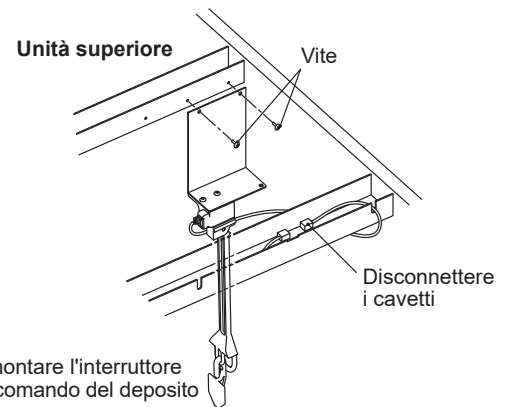
Verificare i modelli delle macchine. Per sovrapporre due macchine, sono necessarie una macchina di tipo D e una macchina di tipo X. Per sovrapporre tre macchine, sono necessarie una macchina di tipo D e due macchine di tipo X. La macchina di tipo D è progettata per costituire l'unità superiore, mentre la macchina di tipo X è progettata per costituire l'unità centrale e quella inferiore.

Le macchine di tipo D e di tipo X sono dotate di due tipi differenti di interruttore di comando del deposito. Per sovrapporre le macchine, utilizzare l'interruttore di comando del deposito delle macchine di tipo X inferiore e centrale. L'interruttore di comando del deposito deve essere rimosso dall'unità superiore. Il collegamento errato o il mancato collegamento delle macchine può provocare gravi danni alle unità, con conseguenti problemi di funzionamento.

- 1) Preparare il deposito di raccolta cubetti e posizionarlo come descritto nei passaggi 1), 2), 3) e 4) in "5. INSTALLAZIONE".
- 2) Collegare l'unità inferiore (tipo X) sulla parte superiore del deposito di raccolta cubetti.
- 3) Fissare l'unità inferiore (tipo X) al deposito di raccolta cubetti posteriormente, servendosi delle staffe di montaggio e dei bulloni in dotazione.
- 4) Togliere il nastro d'imballaggio che trattiene l'interruttore di comando del deposito di raccolta cubetti sulla coppa di scarico. Collegare l'interruttore di comando del deposito all'intelaiatura che si trova nella parte inferiore sinistra del condensatore e fissarlo servendosi delle due viti e delle due rondelle in dotazione.
- 5) Prima di sovrapporre le unità, scollegare i cavetti dell'interruttore di comando del deposito (con spina a tre vie) dall'unità superiore o centrale. Togliere le viti e l'interruttore di comando del deposito. Quando vengono sovrapposte due o tre macchine, per l'unità superiore non è necessario l'interruttore. Conservarlo dopo averlo smontato.



- 6) Collegare l'unità superiore o quella centrale all'unità inferiore.
- 7) Fissare le due unità con i due bulloni e i due dadi in dotazione.
- 8) Posizionare lo scivolo per ghiaccio (accessorio dell'unità inferiore o centrale) e fissarlo alla staffa con le due viti.
- 9) Collegare i cavetti (con spina a tre vie) situati nel canale passacavi dell'unità inferiore all'innesto femmina dell'unità superiore (disinseriti al passaggio 6). Fissare i cavetti servendosi del morsetto in plastica in dotazione.



- 10) Riposizionare i pannelli della macchina nel modo corretto.

Nota: se si sovrappongono tre macchine, ripetere le istruzioni 6) - 11) per l'unità superiore. Ricordare che è necessario solo UN interruttore di comando del deposito di raccolta cubetti, indipendentemente dalla configurazione. I cavetti di prolunga dell'interruttore di comando del deposito sono precablati con la spina e sono spiralati nel canale di cablaggio di tipo X.

6. COLLEGAMENTI ELETTRICI

⚠ AVVERTENZA

LA MACCHINA DEVE ESSERE COLLEGATA A MASSA

La macchina deve essere collegata a massa in modo da soddisfare le norme elettriche a livello locale e nazionale.

Per prevenire gravi lesioni da scosse elettriche alle persone e seri danni alla macchina, collegare alla medesima un idoneo cavo di massa.

Scollegare l'alimentazione principale prima di eseguire qualsiasi intervento di manutenzione, riparazione o pulizia.

* Questa macchina richiede un'alimentazione separata a 220 - 240 V CA:

10A [IM-21/30CPE/CWPE, 45CPE/PE/WPE, 65PE/WPE, 100/130CPE/PE/WPE/APE]

13A [IM-240PE/WPE/APE/AWPE/DPE/DWPE/XPE/XWPE]

* L'alimentazione elettrica deve essere protetta da un interruttore automatico adeguato.

* Il fusibile della scatola di comando principale è di 5A e va sostituito solo da un tecnico di servizio specializzato.

* Per eseguire lavori elettrici, solitamente è necessario ottenere il permesso nonché l'assistenza di un elettricista autorizzato.

Solo per il Regno Unito e la Repubblica d'Irlanda

* I fili del cavo di alimentazione sono colorati in base al seguente codice:

Verde e giallo = massa

Blu = neutro

Marrone = sotto tensione

Dato che i colori dei fili del cavo di alimentazione della macchina possono non corrispondere ai contrassegni colorati che identificano i terminali della spina dell'utente, procedere come segue:

Il filo verde e giallo deve essere collegato al terminale della spina contrassegnato dalla lettera E o dal simbolo \perp o di colore verde o verde e giallo.

Il filo blu deve essere collegato al terminale della spina contrassegnato dalla lettera N.

Il filo marrone deve essere collegato al terminale contrassegnato dalla lettera L.

7. COLLEGAMENTO ALL'APPROVVIGIONAMENTO DELL'ACQUA E COLLEGAMENTO DI SCARICO

⚠ AVVERTENZA

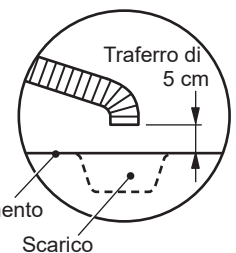


Collegare solo alla rete di approvvigionamento dell'acqua potabile fredda.

- * I collegamenti all'approvvigionamento dell'acqua di rete devono essere eseguiti in conformità ai requisiti vigenti delle norme relative all'approvvigionamento dell'acqua e ai raccordi dell'acqua.
- * L'acqua utilizzata per la fabbricazione del ghiaccio deve essere potabile. Laddove la qualità dell'acqua può causare disincrostazione:
 - Si consiglia di installare un sistema di filtraggio acqua. Contattare l'esperto in trattamenti idrici locale o un agente dell'assistenza Hoshizaki.
 - Si consiglia di impostare la modalità con scarico completo. Contattare il centro di assistenza locale Hoshizaki.
- * In alcune località, per eseguire lavori idraulici sono necessari un permesso specifico nonché l'assistenza di un idraulico qualificato.
- * La temperatura nominale di approvvigionamento dell'acqua è 5 - 35 °C a una pressione nominale di 0,05 - 0,8 MPa (0,5 - 8 bar) con una portata richiesta di 3,8 L/min. Qualora la pressione superi 0,8 MPa (8 bar), utilizzare un'adeguata valvola limitatrice di pressione. **NON** strozzare il rubinetto dell'acqua.
- * Assicurarsi di utilizzare i nuovi set di tubi forniti con l'apparecchio. Non riutilizzare i set di tubi vecchi.

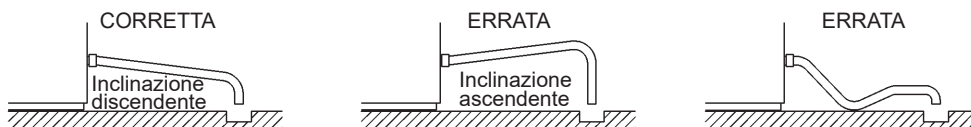
[a] Collegamenti di scarico

* I circuiti di scarico non devono essere installati direttamente nella rete fognaria. È necessario prevedere un traferro verticale di almeno 5 cm tra l'estremità dei tubi di scarico della macchina e lo scarico a pavimento.



[Modelli di scarico a gravità]

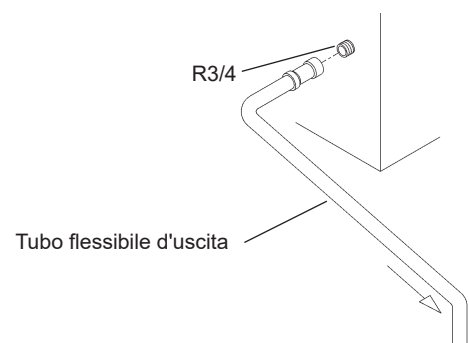
* Lo scarico della macchina è a gravità: assicurarsi che il tubo di scarico abbia una pendenza corretta, come mostrato nella figura.



* Per evitare un riflusso nel deposito di raccolta cubetti, disporre il tubo di uscita come mostrato nella figura.

Eccetto per IM-130CPE

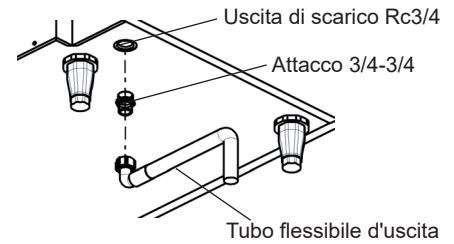
- 1) Serrare a mano il tubo di uscita flessibile grigio (accessorio) sul raccordo R3/4 sul lato posteriore della macchina, come indicato, assicurandosi che la rondella in gomma sia posizionata in modo corretto per garantire un accoppiamento a tenuta stagna. Il tubo può essere tagliato alla lunghezza necessaria per adattarsi alla posizione dello scarico principale.



IM-130CPE

- 1) Per mezzo di una chiave idonea, serrare l'attacco 3/4-3/4 (accessorio) al raccordo Rc3/4 situato sul fondo della macchina, come indicato. Per ottenere un accoppiamento a tenuta, utilizzare gli appositi ermetici e/o il nastro P.T.F.E.

Nota: gli ermetici devono essere approvati e adatti all'uso con acqua potabile.



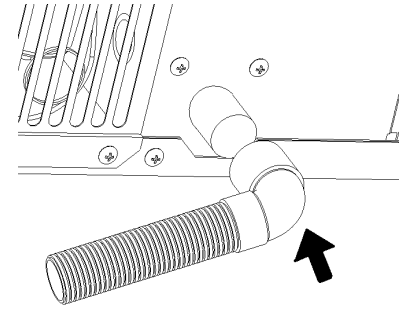
- 2) Serrare a mano il tubo di uscita flessibile grigio (accessorio) sul raccordo 3/4-3/4 come indicato, assicurandosi che la rondella in gomma sia posizionata in modo corretto per garantire un accoppiamento a tenuta stagna. Il tubo può essere tagliato alla lunghezza necessaria in base alla posizione dello scarico.

[Modello con pompa di scarico]

- 1) Collegare l'estremità a gomito del tubo di uscita flessibile (accessorio) al raccordo a pressione da 22 mm di diametro sul retro della macchina come indicato, assicurandosi che il morsetto sia posizionato sull'estremità angolata per garantire un accoppiamento a tenuta stagna.

- 2) E' consigliabile che il tubo di scarico si inclini leggermente prima di raggiungere la posizione verticale.

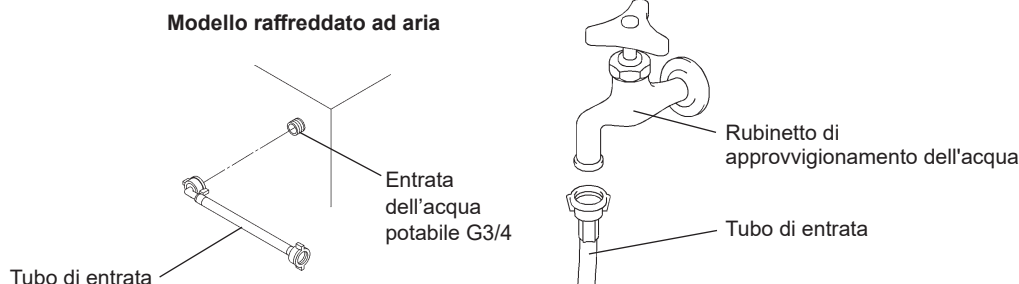
Nota: altezza massima (A) 1,5 m con lunghezza (L) 5 m, lunghezza massima (L) 15 m con altezza 0,5 m



Il tubo fornito nel kit di accessori è lungo 2 m, per aumentare la lunghezza del tubo di scarico sostituire il tubo di uscita con un tubo con un diametro ID di 22 mm fino ai valori massimi indicati sopra.

[b] Approvvigionamento dell'acqua potabile - Modelli raffreddati ad aria e ad acqua

- 1) Collegare l'estremità a gomito del tubo di entrata flessibile (accessorio) al raccordo G3/4, situato sul retro della macchina, come indicato, facendo attenzione che la rondella di tenuta in gomma sia posizionata in modo corretto. Serrare a mano quanto basta a evitare perdite.
- 2) Collegare al rubinetto dell'acqua l'altra estremità del tubo di entrata, assicurandosi che la rondella sia posizionata correttamente prima di serrare a mano come descritto sopra. È consigliabile per precauzione inserire una valvola di arresto in posizione facilmente accessibile.



Nota: Per evitare riduzioni di prestazioni o malfunzionamenti causati da incrostazioni, l'acqua di alimentazione deve avere una durezza non superiore a 150mg/L e un contenuto di silice non superiore a 30mg/L. In caso contrario, sarà necessario installare un dispositivo di trattamento dell'acqua adeguato.

[c] Approvvigionamento dell'acqua di condensa - Modello raffreddato ad acqua

* Hoshizaki consiglia di collegare il condensatore raffreddato ad acqua a un sistema di raffreddamento a circuito chiuso del tipo a ricircolazione per mezzo di una torre, un refrigeratore d'acqua o simile. L'alimentazione dell'acqua deve percorrere il gruppo valvola a sfera/vaschetta dei cascami.

* Se da un lato collegare un condensatore raffreddato ad acqua all'impianto di alimentazione dell'acqua potabile non condiziona le prestazioni della macchina, dall'altro provoca nella maggior parte dei casi un elevato consumo/spreco di una risorsa preziosa e pertanto non è consigliato.

* Per assicurarsi che l'installazione sia corretta, rivolgersi a un idraulico specializzato e autorizzato.

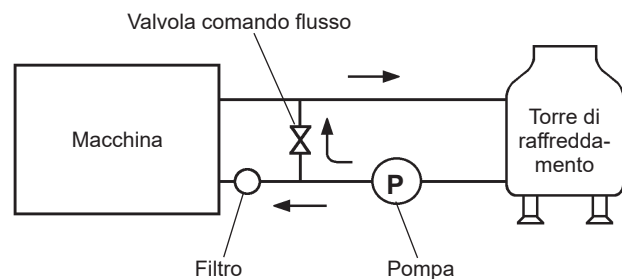
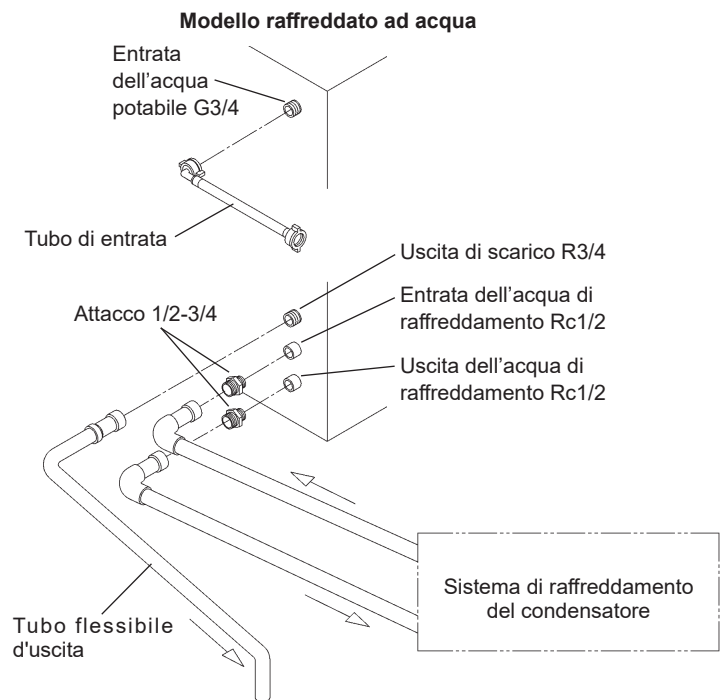
* I collegamenti devono essere eseguiti in modo corretto, in conformità con le norme in vigore a livello nazionale e locale.

* I condotti tra la torre di raffreddamento e la macchina devono avere un diametro minimo di 20 mm, in modo da ridurre la perdita di pressione, anche se i raccordi della macchina hanno un diametro di 13 mm.

* La perdita di pressione nel circuito dell'acqua all'interno dell'unità equivale a 5-6 m, quando l'acqua di raffreddamento scorre con una portata di 4-5 l/min.

* Per la scelta di una torre di raffreddamento, considerare i seguenti valori di picco del flusso di calore nel condensatore:

Modello	IM-30CW/45W:	295 - 760 W
	IM-65W:	875 W
	IM-100/130W:	1.165 W
	IM-240W:	5.235 W



* Scegliere una pompa di circolazione in base ai suddetti valori del flusso di calore.

* Non utilizzare una pompa a cascata, altrimenti il regolatore dell'acqua modificherà il flusso, arrestandolo durante il ciclo di sbrinamento.

[d] Collegamenti della macchina

1) Per mezzo di una chiave idonea, serrare gli attacchi 1/2-3/4 (accessori) ai raccordi Rc1/2 situati sul retro della macchina, come indicato. Per ottenere un accoppiamento a tenuta, utilizzare gli appositi ermetici e/o il nastro P.T.F.E.

Nota: gli ermetici devono essere approvati e adatti all'uso con acqua potabile.

2) Collegare due delle estremità a gomito del tubo flessibile (accessorio) all'attacco 1/2-3/4 previsto sulla macchina, assicurandosi che la rondella di tenuta in gomma sia posizionata in modo corretto. Serrare a mano quanto basta a evitare perdite.

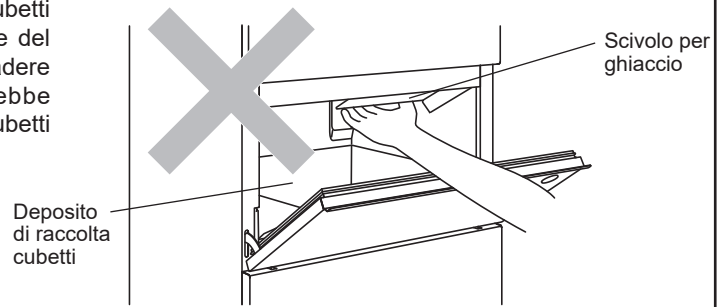
3) Collegare il circuito di raffreddamento del condensatore all'estremità libera dei tubi flessibili (accessori) fissata agli attacchi 1/2-3/4 come indicato, assicurandosi che tutti gli accoppiamenti siano a tenuta stagna.

Nota: qualora l'acqua venga filtrata o trattata, assicurarsi che solo la sezione macchina sia collegata all'approvvigionamento dell'acqua trattata, non il condensatore.

II. ISTRUZIONI PER L'USO

⚠ATTENZIONE

Non toccare la parte posteriore del deposito di raccolta cubetti con le mani o lo scivolo per ghiaccio sulla parte superiore del deposito di raccolta cubetti. Dalla macchina potrebbero cadere cubetti di ghiaccio, un blocco di ghiaccio duro si potrebbe rompere improvvisamente o il meccanismo di produzione cubetti potrebbe muoversi improvvisamente, provocando lesioni.



AVVISO

Tutti i componenti sono preimpostati dalla casa costruttrice. Regolazioni non corrette possono provocare guasti.

Se la macchina viene spenta, attendere almeno 3 minuti prima di avviarla di nuovo onde evitare di danneggiare il compressore.

In caso di errore (EG) o di rottura della pompa di scarico, la macchina smetterà di funzionare per evitare un eccesso di flusso.

⚠IGIENE

La macchina serve a produrre cubetti di ghiaccio commestibili. Per mantenere la macchina in buone condizioni igieniche, osservare le regole che seguono:

- * Lavarsi le mani prima di prelevare i cubetti. Utilizzare la paletta dei cubetti di ghiaccio in materiale plastico (accessorio).
- * Il deposito di raccolta cubetti è solo per i cubetti. Non conservare nient'altro nel deposito di raccolta e non utilizzare apparecchi elettrici nel deposito di raccolta.
- * Pulire il deposito di raccolta cubetti prima dell'uso (vedi "III. 1. PULIZIA").
- * Mantenere pulita la paletta dei cubetti di ghiaccio. A tal fine, utilizzare un detergente neutro e sciacquare abbondantemente.
- * Chiudere il portello dopo aver prelevato i cubetti, per evitare che nel deposito di raccolta cubetti entrino impurità, polvere o insetti.

1. AVVIO

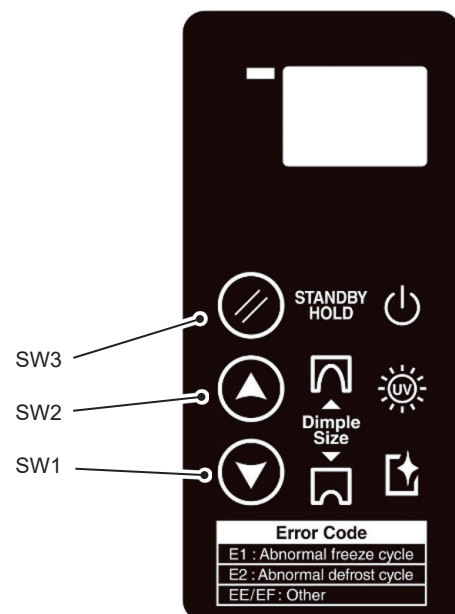
L'installatore di solito predispose la macchina per l'avvio della produzione automatica di cubetti. Per garantire il funzionamento continuo, accertare che:

- * Il rubinetto di approvvigionamento dell'acqua sia aperto e
- * La macchina è collegata all'alimentazione elettrica

Modalità	Stand-by	Produzione del ghiaccio	Controllo del contenitore
Display			

2. CONTROLLI

	Premere	Tenere
SW3	Ripristina la macchina, avvia il ciclo di sbrinamento.	Mette la macchina in modalità standby, stessa funzione di contenitore pieno, alimentazione ancora accesa.
SW2	Aumenta la dimensione della fossetta.	Attiva la modalità di sanificazione UV.
SW1	Diminuisce la dimensione della fossetta.	Attiva la modalità di pulizia.



3. PREPARATIVI PER LA CONSERVAZIONE A LUNGO TERMINE DELLA MACCHINA

AVVISO

Questa macchina non funziona a temperature inferiori allo zero. Scaricare la macchina quando la temperatura dell'aria è al di sotto dello zero, al fine di prevenire eventuali danni al circuito di approvvigionamento dell'acqua.

▲ IGIENE

Se la macchina rimane spenta per due o più giorni, scaricarla per evitare la contaminazione del circuito dell'acqua.

- 1) Staccare la spina o disinserire l'alimentazione della macchina.
- 2) Chiudere il rubinetto di approvvigionamento dell'acqua e staccare il tubo di entrata.
- 3) Togliere tutti i cubetti dal relativo deposito di raccolta cubetti, quindi pulirlo.
- 4) Per l'esecuzione dell'operazione di scarico, rivolgersi a personale tecnico qualificato.

III. MANUTENZIONE

1. PULIZIA

▲ AVVERTENZA

Disinserire l'alimentazione elettrica della macchina, quindi eseguire le operazioni di pulizia e di manutenzione.

Non pulire la macchina mediante getto d'acqua.

▲ ATTENZIONE

Se si utilizza un detergente neutro o ipoclorito di sodio, leggere attentamente e comprendere le istruzioni fornite al fine di evitare possibili problemi di salute.

AVVISO

Almeno due volte l'anno far pulire e disinfettare il sistema dell'acqua della macchina da personale di servizio qualificato e controllare e pulire il condensatore almeno una volta all'anno.

Per evitare danni, non pulire le parti in plastica con acqua ad una temperatura superiore a 40 °C o in lavastoviglie.

[a] Esterno della macchina e del deposito di raccolta cubetti

Utilizzando un panno morbido e pulito, pulire la parte esterna della macchina almeno una volta alla settimana. Per eliminare grasso o impurità, utilizzare un panno inumidito con detergente neutro. Dopo la pulizia, trattare le superfici esterne con un prodotto per la cura dell'acciaio inossidabile per prevenire la corrosione causata da influenze esterne aggressive.

[b] Pulizia e disinfezione giornaliera della paletta dei cubetti di ghiaccio

- 1) Una miscela di 1 litro di acqua con 4 ml di soluzione di ipoclorito di sodio al 5,25 % in un contenitore adatto o la soluzione disinfettante Hoshizaki consigliata, come da istruzioni.
- 2) Immergere per più di 3 minuti la paletta dei cubetti di ghiaccio nella soluzione. Risciacquare abbondantemente e agitare per rimuovere il liquido in eccesso.

Nota: se si utilizza un panno per asciugare, si rischia una nuova contaminazione.

- 3) Utilizzare una soluzione detergente neutra per lavare la maniglia del deposito di raccolta. Sciacquare abbondantemente.
- 4) Inumidire un panno pulito con la soluzione disinfettante e pulire la maniglia. Per risciacquare e asciugare, utilizzare acqua e un panno pulito.

[c] Pulizia e disinfezione dell'interno del deposito di raccolta cubetti (settimanale)

- 1) Aprire il portello del deposito di raccolta cubetti e togliere tutti i cubetti di ghiaccio.
- 2) Lavare la parte interna del deposito con una soluzione detergente non abrasiva. Sciacquare abbondantemente.
- 3) Inumidire un panno pulito con la soluzione disinfettante e pulire i due lati nonché la superficie interna dello sportello. Eliminare la soluzione detergente con un panno pulito e umido.
- 4) Mescolare 5 litri d'acqua con 18 ml di soluzione di ipoclorito di sodio al 5,25% in un contenitore idoneo, oppure utilizzare la soluzione disinfettante Hoshizaki consigliata, seguendo le istruzioni.
- 5) Inumidire una spugna pulita o un panno pulito con la soluzione disinfettante e pulire la camera e il portello del deposito.
- 6) La soluzione rimanente può essere utilizzata per disinfettare gli utensili.

Nota: dopo la disinfezione non strofinare né risciacquare, ma lasciare asciugare all'aria.

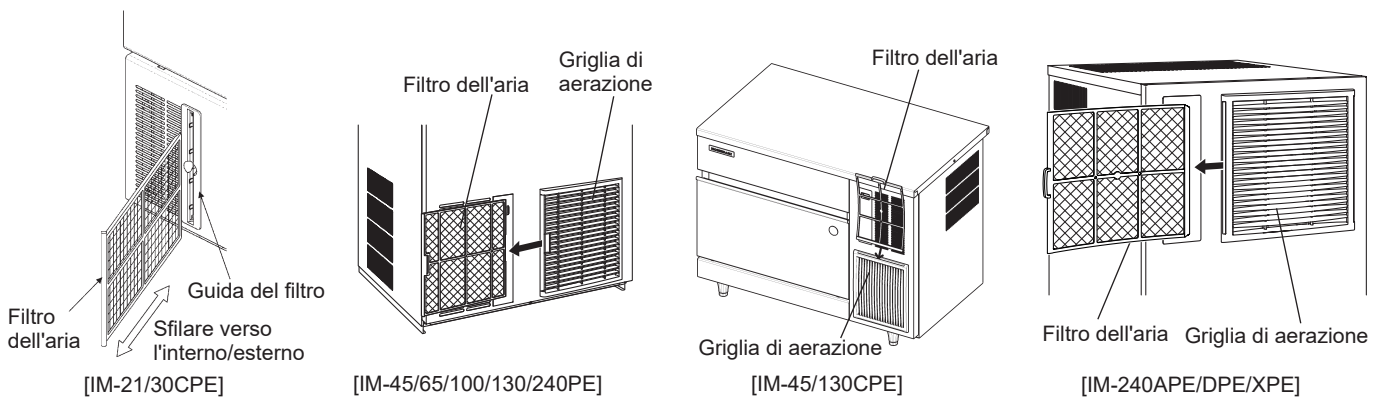
[d] Filtro aria (solo nei modelli raffreddati ad aria)

I filtri dell'aria a maglia di plastica servono a filtrare l'aria dalle impurità e dalla polvere, proteggendo il condensatore da eventuali intasamenti. In caso di ostruzione dei filtri, le prestazioni della macchina si riducono. Smontare i filtri dell'aria e pulirli almeno due volte al mese:

- 1) Sfilare il filtro dell'aria dalla guida del filtro [IM-30CPE] o dalla griglia di aerazione [IM-45CPE/PE, 65PE, 130CPE/PE, 240PE].
- 2) Pulire il filtro dell'aria per mezzo di un aspirapolvere. Se il filtro è particolarmente intasato, lavarlo con acqua calda e una soluzione detergente neutra.
- 3) Risciacquare e asciugare con cura il filtro dell'aria.

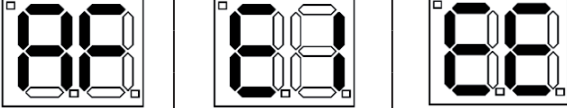
AVVISO

Al termine della pulizia, assicurarsi di risistemare il filtro dell'aria nella giusta posizione.



2. PRIMA DI RIVOLGERSI ALL'ASSISTENZA

[a] Indicazione codice guasto

⚠AVVERTENZA				
Se sul display viene indicato il codice errore "E", è possibile che sia stata riscontrata una perdita di gas. Non toccare l'unità. Ventilare l'area e chiamare immediatamente l'assistenza.				
Codice	Errore			
AF	Avviso di pulizia del filtro del condensatore ad aria			
AC	Avviso di pulizia del circuito idrico			
AL	Avviso di sostituzione del LED UVC			
C2	Rilevamento dell'alta pressione			
E1	Errore congelamento			
E2	Errore sbrinamento			
EE	Altro errore			

[b] Nessuna indicazione di codice guasto

Se la macchina non funziona correttamente o non funziona affatto e sul display non compare nessun codice guasto, prima di rivolgersi all'assistenza controllare che:

- * La macchina riceva l'energia elettrica;
- * L'acqua sia aperta;
- * Il filtro dell'aria sia pulito (modello raffreddato ad aria);
- * Il flusso nel circuito dell'acqua di raffreddamento sia adeguato (modello raffreddato ad acqua).

Per ulteriori assistenza e consulenza, contattare il locale centro di assistenza Hoshizaki.

3. SMALTIMENTO

Osservare le normative locali in materia di smaltimento della macchina e del gas refrigerante. Prima di smaltire la macchina, rimuovere il portello per evitare che i bambini vi possano rimanere intrappolati.

Smaltimento corretto del prodotto:

Questo simbolo indica che il prodotto non deve essere smaltito con altri rifiuti domestici all'interno dell'UE. Per evitare possibili danni all'ambiente o alla salute derivanti dallo smaltimento incontrollato dei rifiuti, riciclare il prodotto in modo responsabile per promuovere il riutilizzo sostenibile delle risorse materiali. Per restituire la macchina usata, utilizzare i sistemi di restituzione e raccolta o contattare il rivenditore presso il quale è stato acquistato il prodotto. Il prodotto sarà ritirato in vista di un riciclaggio sicuro per l'ambiente.



4. GARANZIA

Hoshizaki garantisce al proprietario o utente originario che tutti i prodotti con marchio Hoshizaki sono privi di difetti di costruzione e/o inerenti ai materiali per l'intera durata del "periodo di garanzia". La garanzia decorre dalla data di installazione. La responsabilità di Hoshizaki secondo le condizioni della garanzia è limitata ed esclude la manutenzione di routine, la pulizia, la manutenzione essenziale e/o le riparazioni che si rendano necessarie in conseguenza di uso scorretto e di installazione non conforme alle indicazioni Hoshizaki.

Le riparazioni in garanzia devono essere eseguite da un rivenditore o da un centro di assistenza autorizzato Hoshizaki, che utilizzino componenti originali Hoshizaki.

ITALIANO

Per ottenere informazioni complete in merito alla garanzia e al centro di assistenza autorizzato, si prega di contattare il proprio rivenditore/fornitore di fiducia, oppure l'ufficio assistenza Hoshizaki più vicino:

Europa, Medio Oriente, Africa

Hoshizaki UK - Regno Unito, Irlanda
TEL: +44 845 456 0585
FAX: +44 132 283 8331
uksales@hoshizaki.uk

Hoshizaki Middle East - Medio Oriente
TEL: +971 48 876 612
FAX: +971 48 876 613
sales@hoshizaki.ae

Hoshizaki Deutschland - Germania, Svizzera, Austria
TEL: +49 5121 697370
FAX: +49 5121 6973719
stoerung@hoshizaki.de

Hoshizaki Benelux - Paesi Bassi, Belgio, Lussemburgo
Tel: +31 85 018 83 70
info@hoshizaki.nl

Hoshizaki France - Francia
TEL: +33 1 48 63 93 80
FAX: +33 1 48 63 93 88
info@hoshizaki.fr

Hoshizaki Italia - Italia
TEL: +39 (0)2 30557106
TEL: +39 348 3022156
info@hoshizaki.it

Hoshizaki Iberia - Spagna, Portogallo
TEL: +34 93 478 09 52
FAX: +34 93 478 08 00
info@hoshizaki.es

Hoshizaki Europe B.V. - tutti gli altri paesi di Europa e Africa
TEL: +31 20 6918499
FAX: +31 20 6918768
sales@hoshizaki.nl

Asia, Oceania

Hoshizaki Singapore
TEL: +65 6225 2612
FAX: +65 6225 3219
sales@hoshizaki.com.sg (Vendite)
serviceadmin@hoshizaki.com.sg (Assistenza tecnica)

Hoshizaki Hong Kong
TEL: +852 2866 2108
FAX: +852 2866 2109

Hoshizaki Taiwan
TEL: +886 2 2706 8818
FAX: +886 2 2708 7999

Hoshizaki Lancer
TEL: +61 8 8268 1388
FAX: +61 8 8268 1978

EU DECLARATION OF CONFORMITY

Manufacturer: Hoshizaki Europe Ltd.
Address: Telford 70 Stafford Park 7, Telford, Shropshire, TF3 3BQ, UK

This declaration of conformity is issued under the sole responsibility of the manufacturer and, if applicable, its authorized representative.

Product: Ice Maker
Model(s): IM-21CPE, IM-30CPE, IM-30CWPE, IM-45CPE, IM-45PE, IM-45WPE, IM-65PE, IM-65WPE, IM-100PE, IM-130CPE, IM-130PE, IM-130WPE, IM-130APE, IM-240PE, IM-240WPE, IM-240APE, IM-240AWPE, IM-240DPE, IM-240DWPE, IM-240XPE, IM-240XWPE
[Note] The above models are for the representative models. Model number may be followed by “-*****”. “*****” may be numbered and/or alphabet.

The object of the declaration described above is in conformity with the relevant Union harmonization legislation.

References to the relevant harmonized standards used or references to the other technical specifications in relation to which conformity is declared:

Electromagnetic Compatibility


Directive: 2014/30/EU
Machinery Directive: 2006/42/EC
RoHS Directive: 2011/65/EU, (EU) 2015/863

Applicable Standards:

Emission	EN 55014-1:2017
	EN 61000-3-2:2019
	EN 61000-3-3:2013
Immunity	EN 55016-2-3:2017
	EN 61000-4-2:2009
	EN 61000-4-3:2006
	EN 61000-4-4:2012
	EN 61000-4-5:2014
	EN 61000-4-6:2014
	EN 61000-4-11:2004
MD	EN 60335-1:2012
	EN 60335-2-89:2022
	EN ISO 12100 : 2010
RoHS	EN IEC 63000:2018

Authorized Representative: Hoshizaki Europe B.V
Address: Burgemeester Stramanweg 101, 1101AA Amsterdam, The Netherlands

Amsterdam, 26th November 2024
Place and date of issue

Signature: 
Keisuke Yamanaka
Managing Director
Hoshizaki Europe B.V

UK DECLARATION OF CONFORMITY

Manufacturer: Hoshizaki Europe Ltd.
Address: Telford 70 Stafford Park 7, Telford, Shropshire, TF3 3BQ, UK

This declaration of conformity is issued under the sole responsibility of the manufacturer and, if applicable, its authorized representative.

Product: Ice Maker
Model(s): IM-21CPE, IM-30CPE, IM-30CWPE, IM-45CPE, IM-45PE, IM-45WPE, IM-65PE, IM-65WPE, IM-100PE, IM-130CPE, IM-130PE, IM-130WPE, IM-130APE, IM-240PE, IM-240WPE, IM-240APE, IM-240AWPE, IM-240DPE, IM-240DWPE, IM-240XPE, IM-240XWPE
[Note] The above models are for the representative models. Model number may be followed by “-*****”. “*****” may be numbered and/or alphabet.

The object of the declaration described above is in conformity with the relevant Union harmonization legislation.

References to the relevant harmonized standards used or references to the other technical specifications in relation to which conformity is declared:

Electromagnetic Compatibility Regulations 2016
Supply of Machinery (Safety) Regulations 2008
RoHS Regulations 2012

Applicable Standards:

Emission	EN 55014-1:2017 EN 61000-3-2:2019 EN 61000-3-3:2013
Immunity	EN 55016-2-3:2017 EN 61000-4-2:2009 EN 61000-4-3:2006 EN 61000-4-4:2012 EN 61000-4-5:2014 EN 61000-4-6:2014 EN 61000-4-11:2004
MD	EN 60335-1:2012 EN 60335-2-89:2022
RoHS	EN ISO 12100 : 2010 EN IEC 63000:2018

Telford, 17 April 2025
Place and date of issue

Signature: 
Jonathan Brooks
Managing Director
Hoshizaki Europe Ltd