



SELF-CONTAINED CUBER

# INSTRUCTION MANUAL

IM-21CNE  
IM-30CNE  
IM-45CNE  
IM-45NE  
IM-65NE  
IM-100CNE  
IM-100NE  
IM-130NE  
IM-240NE



IM-240NE

**HOSHIZAKI EUROPE LIMITED**

Telford 70 Stafford Park 7, Telford, Shropshire TF3 3BQ UK

L1E1EC113 (050818)

---

IMPORTANT SAFETY INFORMATION .....	1
I. INSTALLATION INSTRUCTIONS.....	3
1. CONSTRUCTION .....	3
2. ACCESSORIES .....	3
3. UNPACKING .....	4
4. LOCATION .....	5
5. INSTALLATION.....	5
6. ELECTRICAL CONNECTIONS.....	6
7. WATER SUPPLY AND DRAIN CONNECTIONS.....	6
II. OPERATING INSTRUCTIONS .....	7
1. START UP.....	7
2. PREPARING THE ICEMAKER FOR LONG STORAGE.....	7
III. MAINTENANCE .....	8
1. CLEANING .....	8
2. BEFORE CALLING FOR SERVICE.....	9
3. DISPOSAL .....	10
4. WARRANTY .....	10
SPECIFICATIONS.....	11

## IMPORTANT SAFETY INFORMATION

Throughout this manual, notices appear to bring your attention to situations which could result in death, serious injury, or damage to the unit.

<b>▲WARNING</b>	Indicates a hazardous situation which, if not avoided, could result in death or serious injury.
<b>▲CAUTION</b>	Indicates a hazardous situation which, if not avoided, could result in minor or moderate injury.
<b>NOTICE</b>	Indicates a hazardous situation which, if not avoided, could result in damage to the unit.
<b>▲HYGIENE</b>	Indicates important precautions for hygiene and food safety.
<b>IMPORTANT</b>	Indicates important information about the use and care of the unit.

### IMPORTANT

This booklet is an integral and essential part of the product and should be kept and preserved by the user.

Please read carefully the guidelines and warnings contained herein as they are intended to provide the installer/user with essential information for the proper installation and the continued safe use and maintenance of the product.

Please preserve this booklet for any further consultation that may be necessary.

### ▲WARNING

This is a commercial icemaker, and should be destined only to be used for the purpose for which it has been expressly designed.

Any other use should be considered improper and therefore dangerous. The manufacturer will not be held liable or responsible for any damage caused by improper, incorrect and unreasonable use.

**The installation, and relocation if necessary, must be carried out by qualified personnel, in accordance with current regulations, according to the manufacturer's instructions.**

Keep ventilation openings, in the appliance enclosure or in the built-in structure, clear of obstruction.

# ENGLISH

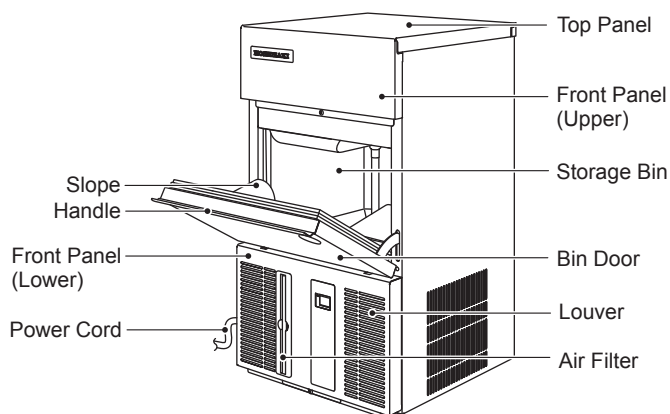
---

The use of any electrical appliance involves the observance of some fundamental rules. In particular:

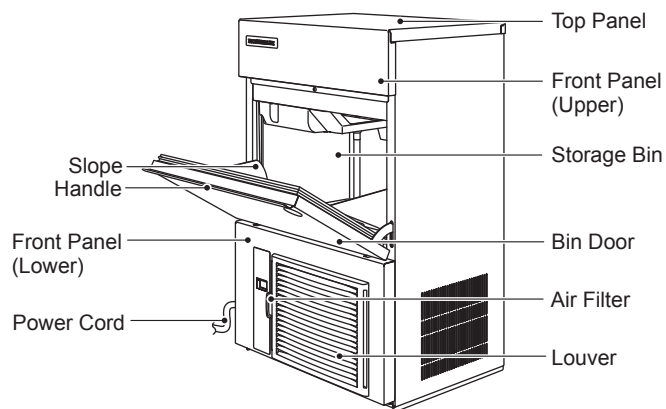
- \* Instances of high humidity and moisture increase the risk of electrical short circuits and potential electrical shocks. If in doubt, disconnect the icemaker.
- \* Do not damage the power cord or pull it in order to disconnect the icemaker from the electrical supply network.
- \* If the supply cord is damaged, it must be replaced by a replacement cord available from Hoshizaki Parts/Service Centres.
- \* Do not touch the electrical parts or operate the switches with damp hands.
- \* This appliance is not intended for use by persons (including children) with reduced physical, sensory or mental capabilities, or lack of experience and knowledge, it can however be used by children aged from 8 years and above and persons with reduced physical, sensory or mental capabilities, or lack of experience and knowledge providing they have been given supervision or instruction concerning use of the appliance by a person responsible for their safety.
- \* Children shall not play with the appliance.
- \* Cleaning and user maintenance shall not be made by children without supervision.
- \* Do not attempt to modify the icemaker. Only qualified personnel may disassemble or repair the appliance.

## I. INSTALLATION INSTRUCTIONS

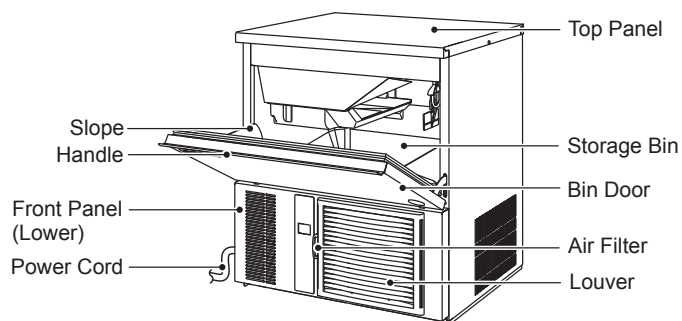
### 1. CONSTRUCTION



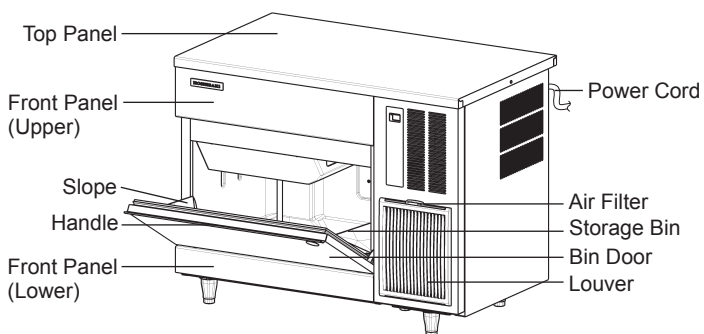
[IM-21CNE, 30CNE]



[IM-45NE, 65NE, 100NE, 130NE]



[IM-45CNE]



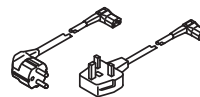
[IM-100CNE]

### 2. ACCESSORIES

	IM-21CNE	IM-30CNE IM-45CNE/NE IM-65NE IM-100NE IM-130NE IM-240NE	IM-100CNE
CD	1	1	1
Scoop	1	1	1
Inlet Hose	1	1	1
Outlet Hose	1	1	1
1/2-3/4 Nipple	-	-	-
Leg	-	4	5
Connector Cover	1	1	1
3/4-3/4 Nipple	-	-	1
Power Cord	1	1	1



Leg



Power Cord



1/2-3/4 Nipple



CD



Scoop



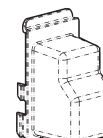
Inlet Hose



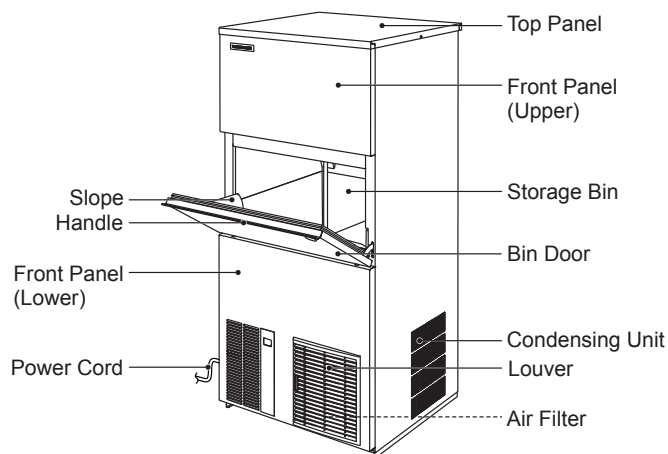
Outlet Hose



3/4-3/4 Nipple



Connector Cover



[IM-240NE]

# ENGLISH

## 3. UNPACKING

### ⚠ WARNING

Children should not be allowed in reach of the packaging elements (plastic bags and expanded polystyrene) as they are potential sources of danger.

### ⚠ CAUTION

Do not lift or manoeuvre the carton by using the shipping bands.

When moving the unit by hand, hold the unit bottom.

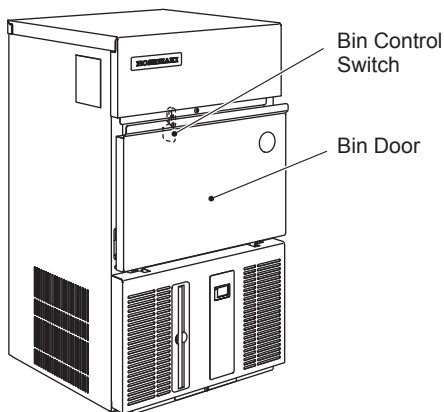
Always wear protective gloves when carrying the unit.

When handling the carton or the unpacked unit, work in pairs to prevent injury.

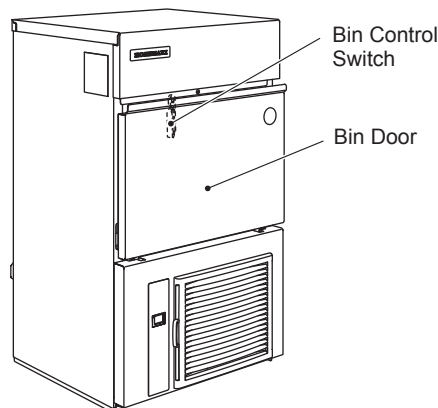
### NOTICE

Remove shipping carton, tape(s) and packing. If packing material is left in the icemaker, it will not work properly.

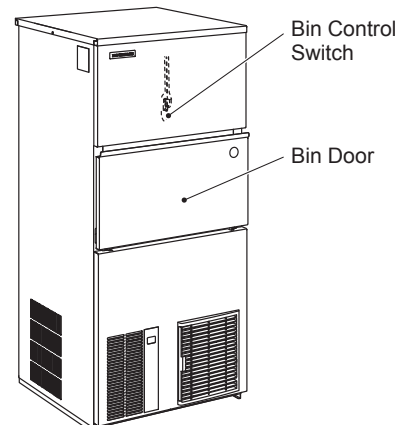
- 1) After removing the packaging, make sure that the icemaker is in good condition. If in doubt, please do not use the icemaker but refer to professionally qualified personnel.
- 2) Remove the shipping tape holding the door and front panel.
- 3) Remove the protective plastic film from the exterior. If the icemaker is exposed to the sun or to heat, remove the film after the icemaker cools.
- 4) Remove the package of accessories. Check the contents according to "2. ACCESSORIES".
- 5) Remove the shipping tape holding the bin control switch by opening the bin door and reaching in.



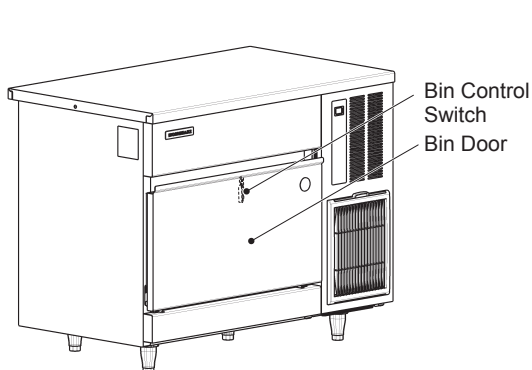
[IM-21CNE, 30CNE]



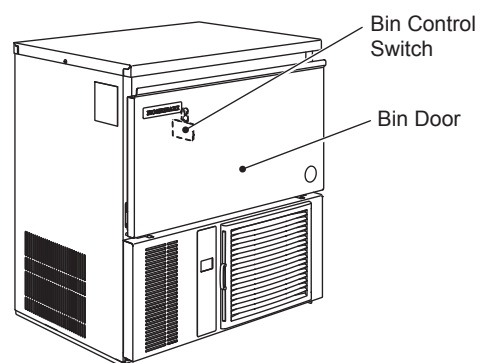
[IM-45NE, 65NE, 100NE, 130NE]



[IM-240NE]



[IM-100CNE]



[IM-45CNE]

## 4. LOCATION

### ⚠ WARNING

This icemaker is not intended for outdoor use.

The icemaker should not be located next to ovens, grills or other high heat producing equipment.

This appliance is not suitable for installation in an area where a water jet could be used.

### ⚠ CAUTION

The location should provide a firm and level foundation for the icemaker.

### NOTICE

Do not place anything on top of the icemaker or in front of the louver.

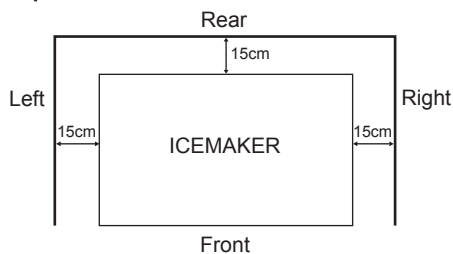
### IMPORTANT

Normal operating ambient temperature should be within 1°C to 40°C. Water connection is cold water only. Operation of the icemaker, for extended periods, outside of these normal temperature ranges may affect production capacity.

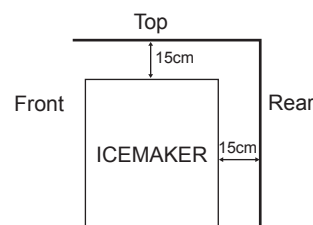
Allow the clearance specified below for proper air circulation and ease of maintenance and/or service should they be required.

**[IM-45NE/WNE, 65NE/WNE, 100CNE/NE/WNE, 130NE/WNE]**

Top View

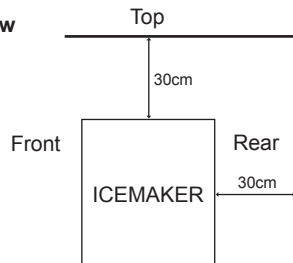


Side View



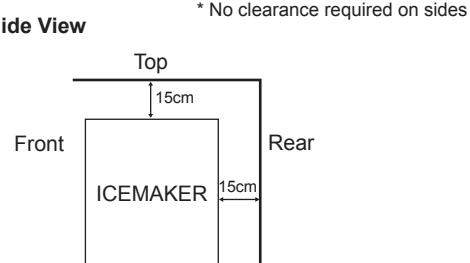
**[IM-240NE]** \* No clearance required on sides

Side View



**[IM-21CNE, 30CNE/CWNE, 45CNE, 240WNE]**

Side View



In some high humidity environments, condensation may form inside the machine and drip onto the floor. Do not install where the floor can be affected by water.

## 5. INSTALLATION

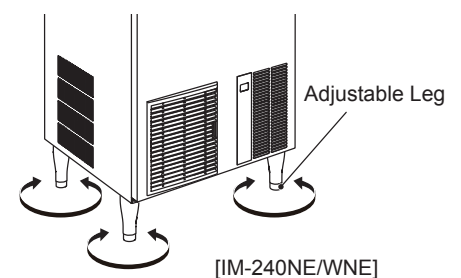
### ⚠ CAUTION

Incorrect installation can cause harm to people, animals or other items, for which the manufacturer cannot be held responsible.

\* Place the icemaker in the selected permanent site.

**[Except IM-21CNE]**

\* When attaching the adjustable legs (accessory), level the unit in both the left-to-right and front-to-rear directions.



# ENGLISH

## 6. ELECTRICAL CONNECTIONS

### ⚠ WARNING

#### THIS APPLIANCE MUST BE EARTHED

To prevent possible severe electrical shock to individuals or extensive damage to the unit, the icemaker must be connected via the flexible supply cord supplied with the icemaker to an appropriate outlet socket installed in accordance with local codes and regulations i.e. AS / NZS 3000.

Disconnect the main power supply before any maintenance, repairs or cleaning is undertaken.

- \* It is recommended that these appliances are connected to a separate 240VAC supply, protected by an appropriate circuit breaker and Residual Current Device. Check the nameplate on the icemaker for the supply requirements.
- \* The main control box fuse is rated at 5A and should only be replaced by a qualified service engineer.
- \* The service of a licensed electrician may be required to ensure the installation is in accordance with the local codes and regulations.
- \* [IM-240NE]  
In accordance with the requirement of the IEC standard, the maximum permissible system impedance ( $Z_{max}$ ) at the interface point of the power supply to be connected with this icemaker must be  $0.23+j0.23$  ohm. Determine in consultation with the supply authority, if necessary, that the icemaker is connected only to a supply of  $0.23+j0.23$  ohm or less.
- \* The wires in the mains lead are coloured in accordance with the following code:
  - Green & Yellow = Earth
  - Blue = Neutral
  - Brown = Live

## 7. WATER SUPPLY AND DRAIN CONNECTIONS

### ⚠ WARNING

Connect to potable cold water supply only.

- \* The service of a licensed plumber may be required to ensure the installation is in accordance with the local codes and regulations.

#### [Connection to the water supply]

- \* The connections to the mains water supply must be made in accordance with the Plumbing Code of Australia and in accordance with AS / NZS 3500.1 and AS / NZS 3500.2. This appliance incorporates backflow protection complying with AS / NZS 3500.1. No further backflow protection is required for connection to the water supply.

- \* Icemaking water must be potable water. Where scaling can be caused by water quality:

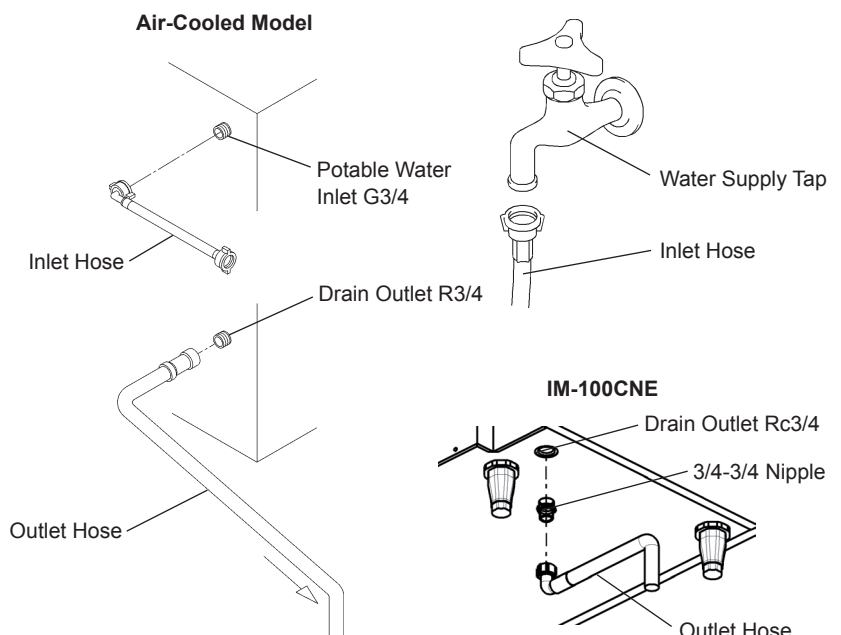
- Installation of an external filter or softener is recommended. Contact your local water treatment professional or Hoshizaki service agent.
- Change to the "full drain flush" mode is recommended. Contact your local Hoshizaki service agent.

- \* Water supply pressure should be minimum 0.07 MPa (0.7 bar) and maximum 0.78 MPa (8 bar). If the pressure exceeds 0.78 MPa (8 bar), use a proper pressure reducing valve. Do **NOT** throttle back the supply tap.

- \* Attach the angle end of the inlet hose to the G3/4" water inlet fitting on the rear of the icemaker.

- \* Be sure to use the new inlet hose-sets supplied with the appliance. Do not reuse any other inlet hose-set.

- \* Ensure rubber tap washers are correctly positioned. Hand tighten the inlet hose sufficiently to provide a leak free joint.





## [Connection to the drain]

[IM-100CNE]

\* By means of a suitable spanner or wrench, tighten the 3/4-3/4 nipple (accessory into the Rc3/4 fitting on the bottom of the icemaker as indicated. P.T.F.E. tape and/or a suitable sealing compound should be used to obtain a leak free joint.

[All Models]

\* Hand tighten grey flexible outlet hose (accessory) onto the R3/4 fitting on the rear of the icemaker as indicated, ensuring rubber washer is correctly positioned to obtain a leak free joint. The hose can be cut to length as necessary to suit position of main drain.

\* Drain lines should not be installed directly to the sewer system. A vertical air gap of a minimum of 5 cm should be between the end of the drain hoses from the icemaker and the floor drain.

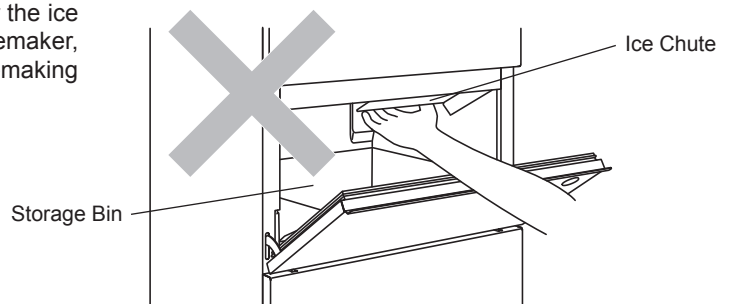
\* To prevent a backflow into the storage bin, the outlet hose must be laid as shown.



## II. OPERATING INSTRUCTIONS

### ⚠ CAUTION

Do not put your hands into the back of the storage bin or the ice chute on top of the storage bin. Ice may drop off the icemaker, a hard block of ice may suddenly break down, or the icemaking mechanism may suddenly move, resulting in injury.



### NOTICE

All parts are factory-adjusted. Improper adjustments may result in failure.

If the unit is turned off, wait for at least 3 minutes before restarting the icemaker to prevent damage to the compressor.

### ⚠ HYGIENE

This icemaker is designed to produce edible ice. To keep the icemaker hygienic:

- \* Wash your hands before removing ice. Use the plastic scoop provided (accessory).
- \* The storage bin is for ice use only. Do not store anything else in the bin nor use other electrical appliances in the bin.
- \* Clean the storage bin before use (see "III. 1. CLEANING").
- \* Keep the scoop clean. Clean it by using a neutral cleaner and rinse thoroughly.
- \* Close the door after removing ice to prevent entrance of dirt, dust or insects into the storage bin.

## 1. START UP

The installer will normally commission the icemaker to start the automatic icemaking process. To ensure continuous operation, make sure that:

- \* The water supply tap is on, and
- \* The icemaker is connected to the power supply.

## 2. PREPARING THE ICEMAKER FOR LONG STORAGE

### NOTICE

This icemaker will not work at subfreezing temperatures. To prevent damage to the water supply line, drain the icemaker when air temperature is below zero.

# ENGLISH

## ▲HYGIENE

When shutting down the icemaker for two or more days, drain the icemaker to prevent contamination in the water circuit.

- 1) Unplug the icemaker or disconnect the power supply.
- 2) Close the water supply tap, and remove the inlet hose.
- 3) Remove all ice from the storage bin, and clean the bin.
- 4) Ask for draining of the icemaker by professional qualified personnel.

## III. MAINTENANCE

### 1. CLEANING

#### ▲WARNING

Before carrying out any cleaning or maintenance operations, unplug the icemaker from the electrical supply network.

This appliance must not be cleaned by use of a water jet.

#### ▲CAUTION

When using a neutral cleaner or sodium hypochlorite, thoroughly read and understand the instructions provided to prevent potential health problems.

#### NOTICE

Ask a trained service person to clean and sanitise the icemaker water system at least twice a year and to check and clean the condenser at least once a year.

To prevent possible damage, do not clean the plastic parts with water above 40°C or in a dishwasher.

#### IMPORTANT

For spare parts information, contact your local Hoshizaki service agent.

#### [a] Machine and Bin Exterior

Wipe the exterior at least once per week with a clean, soft cloth. Use a damp cloth containing a neutral cleaner to wipe off grease or dirt.

#### [b] Scoop and Storage Bin Handle Cleaning/Sanitisation (Daily)

- 1) Either mix 1 litre of water with 4 ml of 5.25% sodium hypochlorite solution in a suitable container, or the recommended Hoshizaki sanitiser as directed.
- 2) Soak the scoop in the solution for more than 3 minutes. Rinse thoroughly, and shake to remove surplus liquid.

Note: Using a cloth to dry may re-contaminate.

- 3) Use a neutral cleaner to wash the storage bin handle. Rinse thoroughly.
- 4) Soak a clean cloth with the sanitising solution, and wipe the handle. Use fresh water and a clean cloth to rinse/dry.

#### [c] Storage Bin Interior Cleaning/Sanitisation (Weekly)

- 1) Open the storage bin door, and remove all ice.
- 2) Wash the bin liner with a neutral non-abrasive cleaner. Rinse thoroughly.
- 3) Soak a clean cloth with the neutral cleaner, and wipe both sides of the slope and the door inner surface. Wipe off the cleaner with a clean damp cloth.

- 4) Either mix 5 litres of water with 18 ml of 5.25% sodium hypochlorite solution in a suitable container, or the recommended Hoshizaki sanitiser as directed.
- 5) Soak a clean sponge or cloth with the solution, and wipe the bin liner, bin door and slope.
- 6) The remaining solution can be used to sanitise utensils.

Note: Do not wipe dry or rinse after sanitising, but allow to air dry.

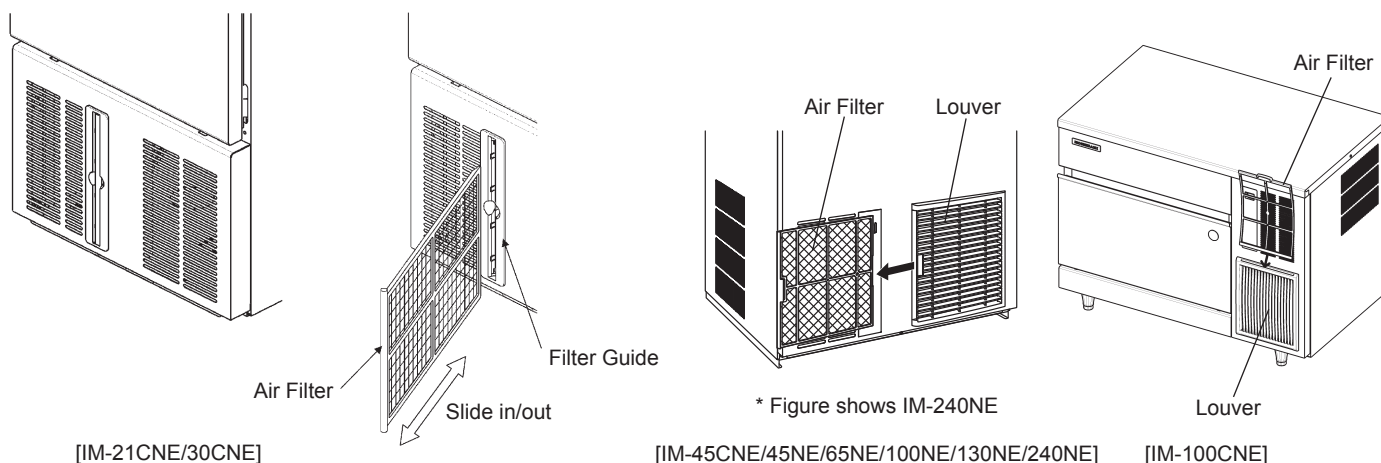
## [d] Air Filter

Plastic mesh air filters remove dirt or dust from the air, and keep the condenser from getting clogged. If the filters get clogged, the icemaker's performance will be reduced. Remove and clean the air filter(s) at least twice per month:

- 1) Slide the air filter off the filter guide [IM-21CNE/30CNE] or the louver [IM-45CNE/45NE/65NE/100CNE/100NE/130NE/240NE].
- 2) Clean the air filter by using a vacuum cleaner. When severely clogged, use warm water and a neutral cleaner to wash the air filter.
- 3) Rinse and dry the air filter thoroughly.

### NOTICE

After cleaning, be sure to place the air filter back in position.



## 2. BEFORE CALLING FOR SERVICE

### ⚠ WARNING

Do not damage the refrigerant circuit.

## [a] Error Code Indication

If the error code "E" is indicated on the display, before calling for service, check the following.

Code	Remedy
<b>E1</b>	Freeze error. Unplug unit and plug it back in after 3 minutes. Clean air filter. Lower ambient temperature or ensure adequate clearance around unit (see "I. 4. LOCATION"). If error persists, call for service.
<b>E2</b>	Defrost error. Unplug unit and plug it back in after 3 minutes. If error persists, call for service.
<b>EE</b>	Other error. Unplug unit and plug it back in after 3 minutes. Clean air filter. Check for water failure or closed water supply tap. Lower ambient temperature or ensure adequate clearance around unit (see "I. 4. LOCATION"). If error persists, call for service.

# ENGLISH

---

## [b] No Error Code Indication

If the icemaker does not work properly or does not work at all and no error code is indicated on the display, before calling for service, check that:

- \* The power is supplied to the unit.
- \* The water is turned on.
- \* The air filter is clean.

For further assistance or advice, contact your local Hoshizaki service agent.

## 3. DISPOSAL

Comply with local regulations regarding disposal of this appliance and its refrigerant gas. Before you scrap the appliance, take off the door to prevent children becoming trapped.

Correct disposal of this product:

This marking indicates that this product should not be disposed with other household wastes throughout the EU. To prevent possible harm to the environment or human health from uncontrolled waste disposal, recycle it responsibly to promote the sustainable reuse of material resources. To return your used device, use the return and collection systems or contact the retailer where the product was purchased. They can take this product for environmental safe recycling.



## 4. WARRANTY

Hoshizaki warrants to the original owner/user that all Hoshizaki branded products shall be free of defects in material and/or workmanship for the duration of the "warranty period". The warranty shall be effective for two years from the date of installation. Hoshizaki's liability under the terms of the warranty are limited and shall exclude routine servicing, cleaning, essential maintenance and/or repairs occasioned by misuse and installations not in accordance with Hoshizaki guidelines.

Warranty repairs should be completed by an approved Hoshizaki dealer or service agency using genuine Hoshizaki components.

To obtain full details of your warranty and approved service agency, please contact your dealer/supplier, or the nearest Hoshizaki Service office:

Hoshizaki Lancer  
TEL: +61 8 8268 1388  
FAX: +61 8 8268 1978  
info@hoshizaki.com.au  
http://www.hoshizaki.com.au

To register your product for warranty with Hoshizaki, visit <http://www.hoshizaki.com.au/warranty-registration> or scan the QR code.



## SPECIFICATIONS

Model	IM-21CNE	IM-30CNE	IM-45CNE
Type	Air-cooled, cube ice	Air-cooled, cube ice	Air-cooled, cube ice
Power Supply	1 phase 220 - 240V 50Hz	1 phase 220 - 240V 50Hz	1 phase 220 - 240V 50Hz
Electric Consumption	240W	270W	320W
Ice Production per 24h	20kg (5mm) / 22kg (15mm) (ambient 10°C, water 10°C)	23kg (5mm) / 28kg (15mm) (ambient 10°C, water 10°C)	36kg (5mm) / 44kg (15mm) (ambient 10°C, water 10°C)
Dimensions	398mm(W) x 451mm(D) x 695mm(H)	398mm(W) x 451mm(D) x 695mm(H)	633mm(W) x 511mm(D) x 690mm(H)
Refrigerant	R134a, 0.11kg (GWP: 1430, CO2: 0.157t)	R134a, 0.13kg (GWP: 1430, CO2: 0.186t)	R134a, 0.16kg (GWP: 1430, CO2: 0.229t)
Insulation Foam Blowing Agent	HFC-free	HFC-free	HFC-free
Weight	Net: 34kg (Gross: 38kg)	Net: 34kg (Gross: 38kg)	Net: 48kg (Gross: 55kg)
Ambient Temp	1 - 40°C	1 - 40°C	1 - 40°C
Water Supply Temp	5 - 35°C	5 - 35°C	5 - 35°C
Water Supply Pressure	0.07 - 0.78 MPa (0.7 - 8 bar)	0.07 - 0.78 MPa (0.7 - 8 bar)	0.07 - 0.78 MPa (0.7 - 8 bar)
Voltage Range	Rated voltage ± 6%	Rated voltage ± 6%	Rated voltage ± 6%

Model	IM-45NE	IM-65NE	IM-100CNE
Type	Air-cooled, cube ice	Air-cooled, cube ice	Air-cooled, cube ice
Power Supply	1 phase 220 - 240V 50Hz	1 phase 220 - 240V 50Hz	1 phase 220 - 240V 50Hz
Electric Consumption	330W	400W	630W
Ice Production per 24h	36kg (5mm) / 44kg (15mm) (ambient 10°C, water 10°C)	50kg (5mm) / 63kg (15mm) (ambient 10°C, water 10°C)	85kg (5mm) / 95kg (15mm) (ambient 10°C, water 10°C)
Dimensions	503mm(W) x 456mm(D) x 840mm(H)	633mm(W) x 506mm(D) x 840mm(H)	1004mm(W) x 600mm(D) x 800mm(H)
Refrigerant	R134a, 0.16kg (GWP: 1430, CO2: 0.229t)	R134a, 0.20kg (GWP: 1430, CO2: 0.286t)	R134a, 0.28kg (GWP: 1430, CO2: 0.400t)
Insulation Foam Blowing Agent	HFC-free	HFC-free	HFC-free
Weight	Net: 46kg (Gross: 51kg)	Net: 53kg (Gross: 60kg)	Net: 77kg (Gross: 88kg)
Ambient Temp	1 - 40°C	1 - 40°C	1 - 40°C
Water Supply Temp	5 - 35°C	5 - 35°C	5 - 35°C
Water Supply Pressure	0.07 - 0.78 MPa (0.7 - 8 bar)	0.07 - 0.78 MPa (0.7 - 8 bar)	0.07 - 0.78 MPa (0.7 - 8 bar)
Voltage Range	Rated voltage ± 6%	Rated voltage ± 6%	Rated voltage ± 6%

Model	IM-100NE	IM-130NE	IM-240NE
Type	Air-cooled, cube ice	Air-cooled, cube ice	Air-cooled, cube ice
Power Supply	1 phase 220 - 240V 50Hz	1 phase 220 - 240V 50Hz	1 phase 220 - 240V 50Hz
Electric Consumption	630W	700W	1320W
Ice Production per 24h	85kg (5mm) / 95kg (15mm) (ambient 10°C, water 10°C)	100kg (5mm) / 130kg (15mm) (ambient 10°C, water 10°C)	230kg (5mm) / 240kg (15mm) (ambient 10°C, water 10°C)
Dimensions	704mm(W) x 506mm(D) x 1200mm(H)	704mm(W) x 506mm(D) x 1200mm(H)	704mm(W) x 665mm(D) x 1510mm(H)
Refrigerant	R134a, 0.28kg (GWP: 1430, CO2: 0.400t)	R404A, 0.38kg (GWP: 3920, CO2: 1.490t)	R404A, 0.50kg (GWP: 3920, CO2: 1.960t)
Insulation Foam Blowing Agent	HFC-free	HFC-free	HFC-free
Weight	Net: 76kg (Gross: 84kg)	Net: 76kg (Gross: 84kg)	Net: 111kg (Gross: 122kg)
Ambient Temp	1 - 40°C	1 - 40°C	1 - 40°C
Water Supply Temp	5 - 35°C	5 - 35°C	5 - 35°C
Water Supply Pressure	0.07 - 0.78 MPa (0.7 - 8 bar)	0.07 - 0.78 MPa (0.7 - 8 bar)	0.07 - 0.78 MPa (0.7 - 8 bar)
Voltage Range	Rated voltage ± 6%	Rated voltage ± 6%	Rated voltage ± 6%

Note: The above specifications are for the representative models.

**This product includes a hermetically sealed refrigeration system that contains fluorinated greenhouse gases.**