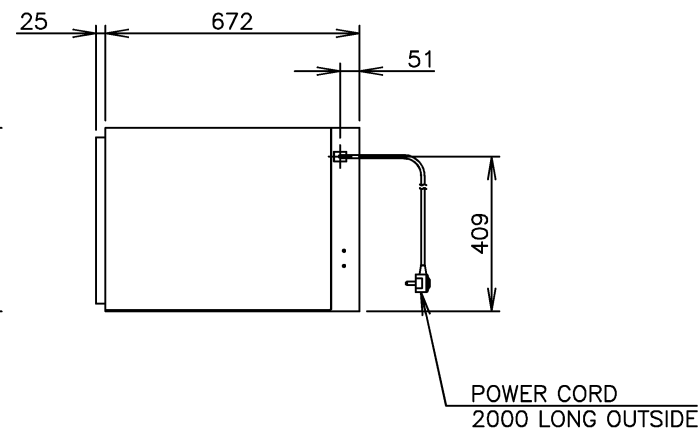
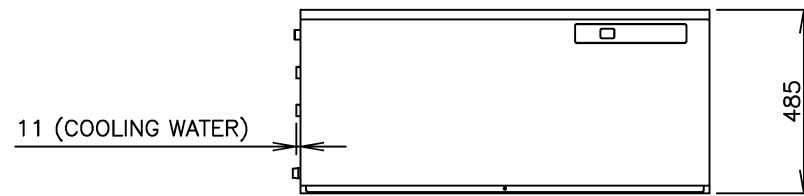
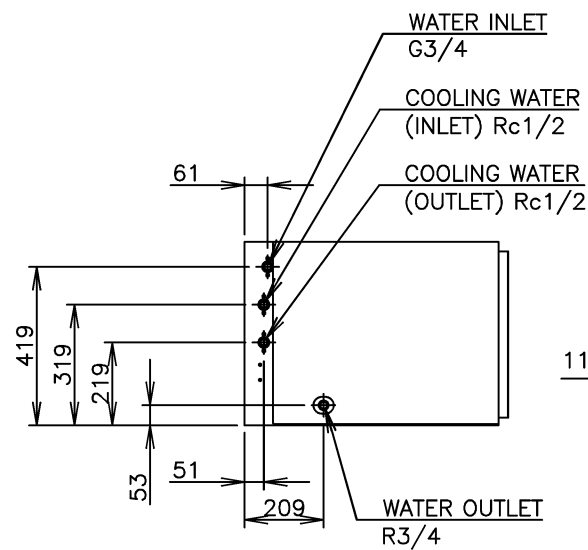
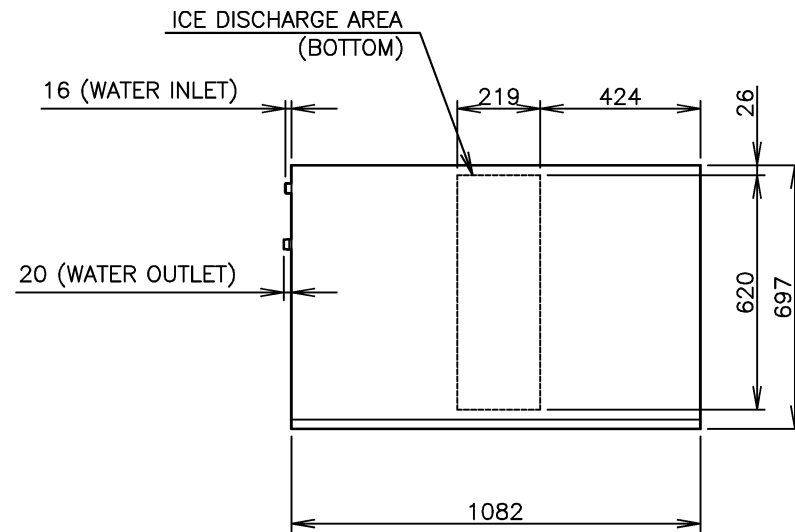


| | |
|----------------------|---|
| OPERATING CONDITIONS | Ambient Temp.: 1 - 40° C, Water Supply Temp.: 5-35° C |
| | Water Supply Pressure: 0.07-0.8MPa (0.7-8bar) |
| | Voltage Range: Rated Voltage±6% |

- *We reserve the right to make changes in specifications and design without prior notice.
1. Install the ice maker properly in accordance with the instructions on location, water supply/drain connections and electrical connections stated in the instruction and installation manuals provided. Allow 10mm extra space at the installation site to meet any installation requirements (additional spacing is also required for proper air flow and pipe connections).
 2. The ice production depends on the ambient and water temperatures. Refer to the instruction manual.
 3. Values for ice making water only. Use a cooling tower for cooling water.
 4. Product Code: E1CL-D123, E1CL-D125



| | | |
|--|---|------------------|
| ITEM | Hoshizaki Cube Ice Maker | |
| MODEL | IM-240XWNE-R452 | |
| POWER SUPPLY | 1 PHASE 220-240V 50Hz Capacity: Min. 2.3kVA (9.6A) | |
| AMPERAGE | Running: 6.3A Rated Motor: 6.3A Starting: 35A | |
| ELECTRIC CONSUMPTION | Rated Motor: 1235W (Power factor: 81%) | |
| ICE PRODUCTION PER 24h | Approx. 230kg (5mm)/240kg (15mm) (AT.10° C, WT.10° C) Approx. 215kg (5mm)/225kg (15mm) (AT.21° C, WT.15° C) Approx. 205kg (5mm)/215kg (15mm) (AT.32° C, WT.21° C) | |
| *3 POTABLE WATER CONSUMPTION PER 24h | Approx. 0.75m³ (AT.10° C, WT.10° C) Approx. 0.39m³ (AT.21° C, WT.15° C) Approx. 0.37m³ (AT.32° C, WT.21° C) | |
| *3 CONDENSER WATER CONSUMPTION PER 24h | Approx. 1.10m³ (AT. 10°C, WT. 10°C) Approx. 1.28m³ (AT. 21°C, WT. 15°C) Approx. 1.79m³ (AT. 32°C, WT. 21°C) | |
| SHAPE OF ICE | Cube Approx. 28 x 28 x 32mm | |
| FREEZE CYCLE TIME | Approx. 19min (AT.21° C, WT.15° C) | |
| ICE PRODUCTION PER CYCLE | Approx. 3.2kg/140pcs. (AT.21° C, WT.15° C) | |
| OUTSIDE DIMENSIONS | 1082mm(W) x 697mm(D) x 485mm(H) | |
| EXTERIOR | Stainless Steel | |
| INSULATION | Polyurethane Foam | |
| INSULATION FOAM BLOWING AGENT | Water Blown | |
| CONNECTIONS - ELECTRIC | X-Type Con. (with CONT. Plug) | |
| CONNECTIONS - WATER SUPPLY | Inlet G3/4 (connected at left side) | |
| CONNECTIONS-DRAIN | Outlet R3/4 (connected at left side) | |
| CONNECTIONS - COOLING WATER | Inlet Rc1/2 (connected at left side) Outlet Rc1/2 (connected at left side) | |
| ICE MAKING SYSTEM | Cell type | |
| HARVESTING SYSTEM | Hot Gas Defrost | |
| COMPRESSOR | Hermetic | |
| CONDENSER | Tube in Tube type, Water-Cooled | |
| HEAT REJECTION | 2850W (2450kcal/h) (AT.32° C, WT.21° C) | |
| EVAPORATOR | Tin-plated Copper Tube on Sheet and Cells | |
| REFRIGERANT CONTROL | Thermostatic Expansion Valve | |
| REFRIGERANT CHARGE | R452A/480g | |
| ICE MAKING CONTROL | Thermistor, Timer | Controller Board |
| HARVESTING CONTROL | Thermistor | |
| BIN CONTROL | Microswitch (with Time Delay) | |
| ICE MAKING WATER CONTROL | Timer, Water Pan's movement | |
| ELECTRIC CIRCUIT PROTECTION | Class I Appliance, 5A Fuse | |
| COMPRESSOR PROTECTION | Auto-reset Overload Protector | |
| ICE MAKER PROTECTION | Interlock by Controller Board | |
| WEIGHT | 83kg (Gross 98kg) | |
| PACKAGE | Carton 1196mm(W) x 825mm(D) x 640mm(H) | |
| ACCESSORIES | Installation Kit, Brace, Ice Chute | |

HOSHIZAKI CUBE ICE MAKER IM-240XWNE-R452

| | | | | | |
|---------------------|-------------------|--------------------|---------------------|-----------------------|--------------|
| APPROVED Y.TORII | CHECKED Y.SATO | DESIGNED Y.SATO | DRAWN NISHIKOORI | SCALE 1/20 | TRIGONOMETRY |
| Y.TORII | J.DARLINGTON | 2023.01.20 | DATE 2021.04.23 | DRAWING NO. D31132 | SYMBOL △ |
| APPROVED | DESIGNED | SYMBOL | DATE | | |